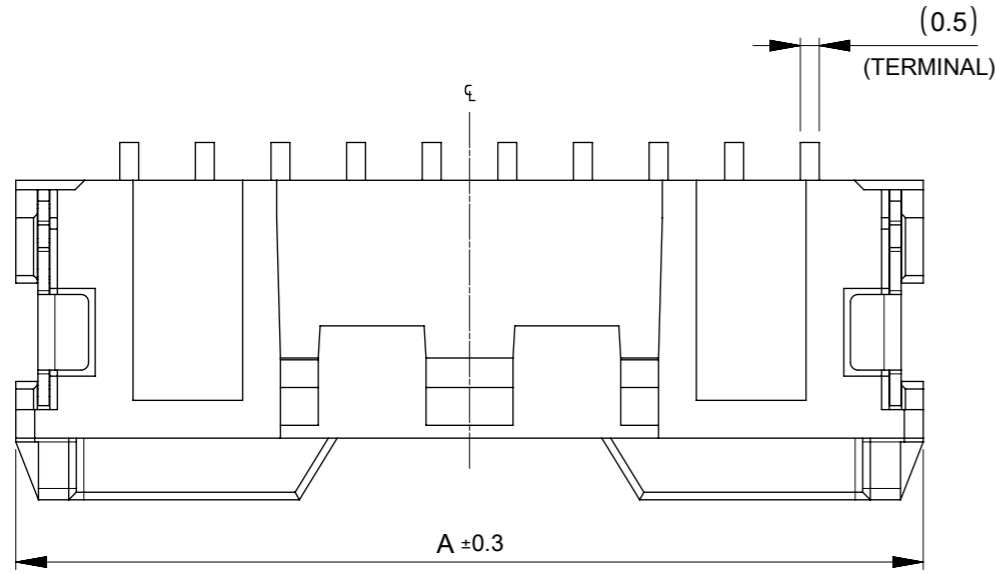


注記 NOTES

- ① 材料及び仕上げ(めっき仕様) : TABLE 1, TABLE 2参照
MATERIAL AND FINISHES (PLATING SPECIFICATION) : SEE TABLE 1, TABLE 2
- ② 嵌合相手 : 505570シリーズ
MATE WITH : 505570 SERIES
- ③ 端子テール部及びネイルの平坦度 : 0.1mm以下
TAIL AND NAIL COPLANARITY : 0.1mm MAXIMUM
- ④ 極数=偶数に適用
APPLY FOR CIRCUIT SIZE=EVEN.
- ⑤ コネクタの仕様につきましては、製品仕様書(5055700001-PS PS 000)を参照して下さい。
PLEASE REFER TO THE PRODUCT SPECIFICATION (5055700001-PS PS 000)
- ⑥ 製品番号 MATERIAL No.

極数 CIRCUIT SIZE	505578**7*	
	番号 NO.	ハウジング色 HOUSING COLOR
	0	ナチュラル(白) NATURAL(WHITE)
1	黒 BLACK	



回路番号1マーク
CIRCUIT 1 MARK

トレードマーク
TRADE MARK

キャビティ及び金型番号
CAVITY & MOLD NO.

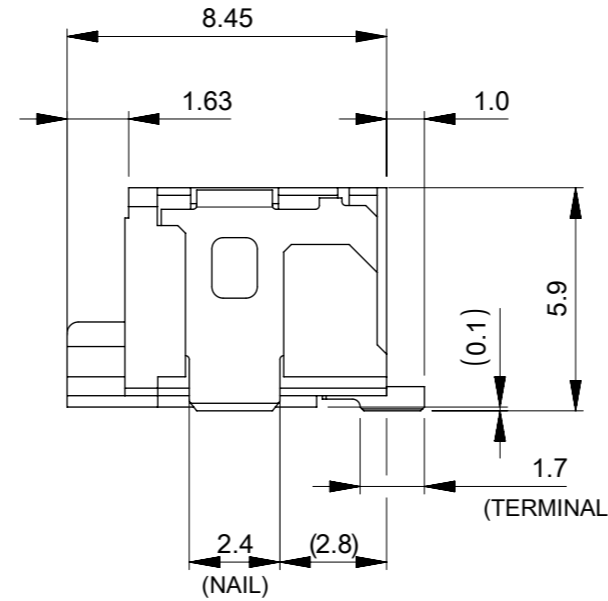
回路番号 1
CIRCUIT1

回路番号 N
CIRCUIT N

(0.3)
(NAIL)

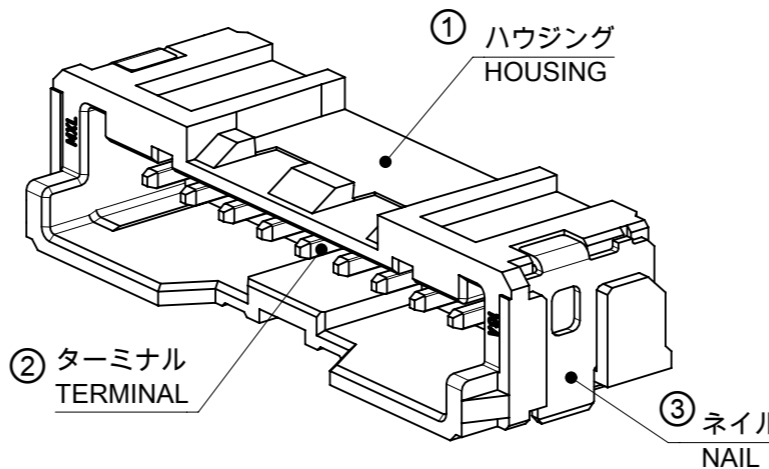
C ±0.25
(NAIL POSITION)

(B)
④ (1.0) (2)
(PITCH)



① TABLE 1

番号 No.	部品 PART	材質 MATERIAL
①	ハウジング HOUSING	ポリアミド(PA), UL94 V-0, 色 : 注記6参照 POLYAMIDE(PA), UL94 V-0, COLOR: SEE NOTE6
②	ターミナル TERMINAL	黄銅 BRASS
		錫めっき : 1.0 micro-meter MINIMUM MATTE TIN PLATING ニッケルめっき (下地) : 1.0 micro-meter MINIMUM NICKEL (UNDER PLATING) PLATING
③	ネイル NAIL	リン青銅 PHOSPHOR BRONZE
		錫めっき : 1.0 micro-meter MINIMUM MATTE TIN PLATING ニッケルめっき (下地) : 1.0 micro-meter MINIMUM NICKEL (UNDER PLATING) PLATING



			黒 BLACK	ナチュラル(白) NATURAL(WHITE)	ハウジング色 HOUSING COLOR
34.53	30	36	5055781671	5055781670	16
32.53	28	34	5055781571	5055781570	15
30.53	26	32	5055781471	5055781470	14
28.53	24	30	5055781371	5055781370	13
26.53	22	28	5055781271	5055781270	12
24.53	20	26	5055781171	5055781170	11
22.53	18	24	5055781071	5055781070	10
20.53	16	22	5055780971	5055780970	9
18.53	14	20	5055780871	5055780870	8
16.53	12	18	5055780771	5055780770	7
14.53	10	16	5055780671	5055780670	6
12.53	8	14	5055780571	5055780570	5
10.53	6	12	5055780471	5055780470	4
8.53	4	10	5055780371	5055780370	3
6.53	2	8	5055780271	5055780270	2
C	B	A	発注番号 ORDER NO. インボステーブ梱包 PACKAGING STYLE : EMBOSSED TAPE AND REEL		極数 CIRCUIT SIZE

THIS DRAWING CONTAINS INFORMATION THAT IS PROPRIETARY TO MOLEX ELECTRONIC TECHNOLOGIES, LLC AND SHOULD NOT BE USED WITHOUT WRITTEN PERMISSION

DIMENSION UNITS: mm SCALE: NTS

GENERAL TOLERANCES (UNLESS SPECIFIED): ANGULAR TOL ± 3.0°

4 PLACES ± 0.2
3 PLACES ± 0.2
2 PLACES ± 0.2
1 PLACE ± 0.2
0 PLACES ± 0.2

EC NO: 645407
DRWN: TENAGASE 2020/08/04
CHK'D: SAKIYAMA 2020/08/06
APPR: KOMURAKAMI 2021/03/09

INITIAL REVISION:
DRWN: TENAGASE 2016/05/12
APPR: TKANEKO 2016/06/23

THIRD ANGLE PROJECTION

DRAWING: A3-SIZE SERIES: 505578

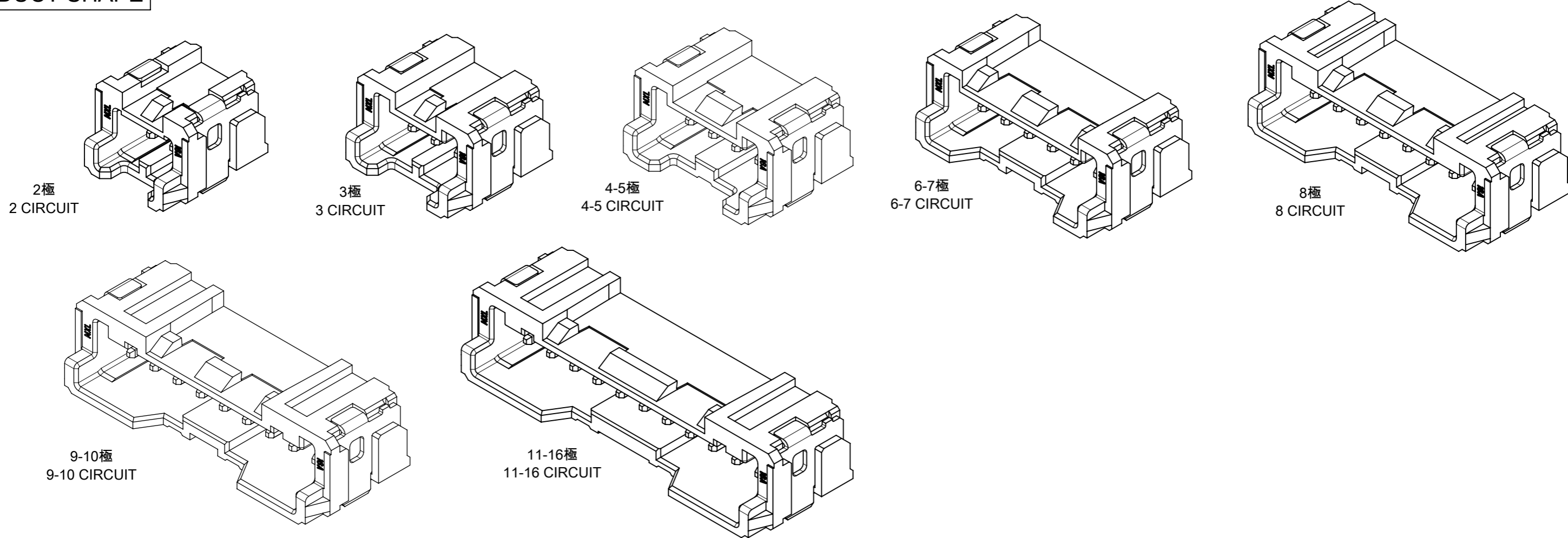
MATERIAL NUMBER: SEE CHART CUSTOMER: GENERAL

DOCUMENT NUMBER: 5055780001 DOC TYPE: PSD DOC PART: 000 REVISION: B

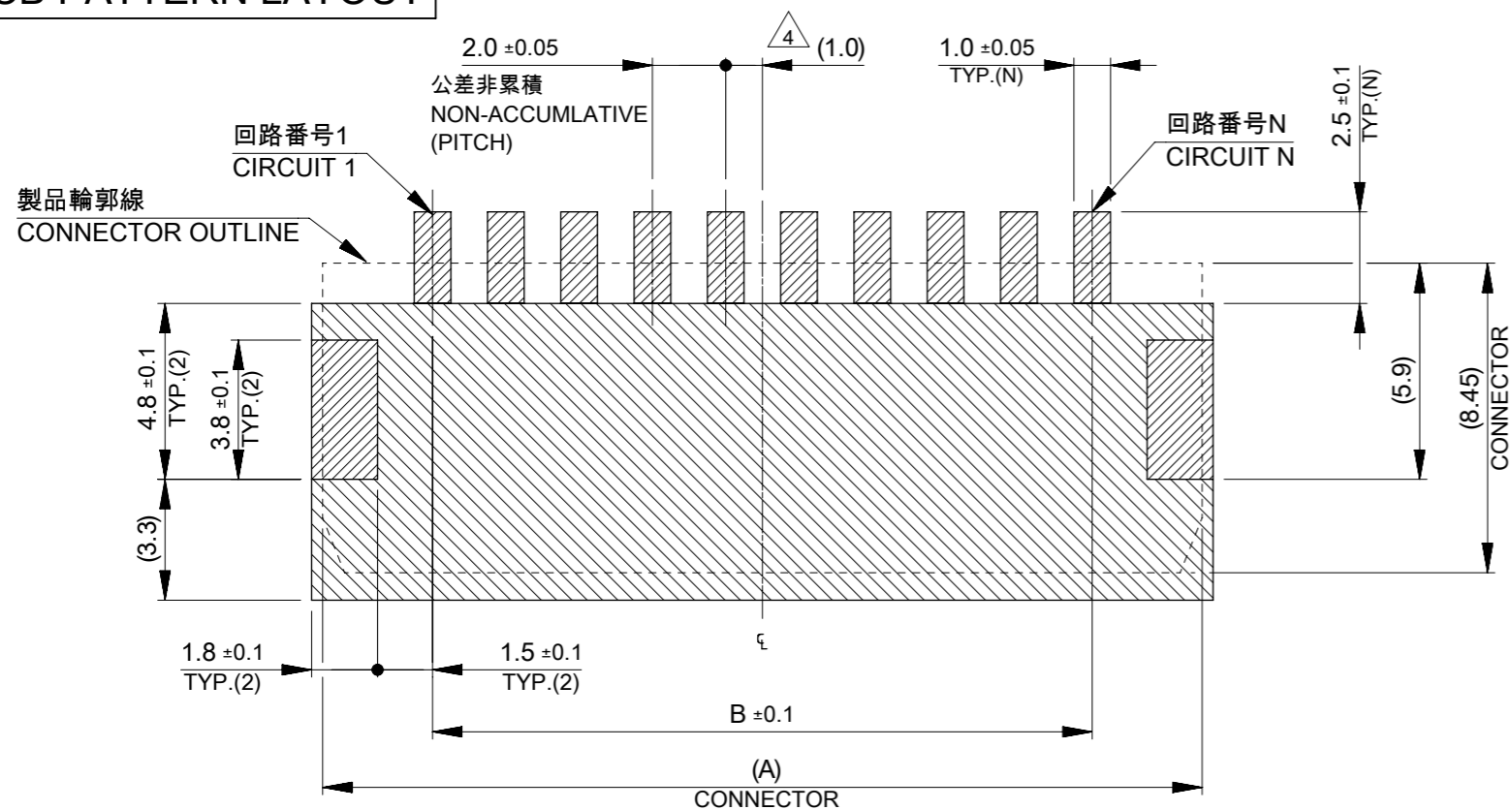
SHEET NUMBER: 1 OF 4

DATE: 2020/01/14

製品形状
PRODUCT SHAPE



基板パターンレイアウト
PCB PATTERN LAYOUT

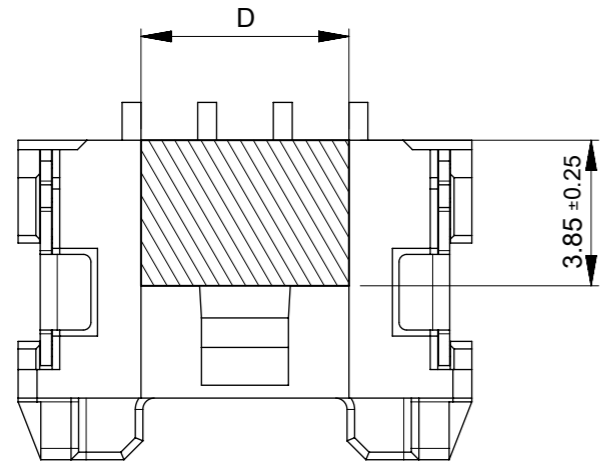


基板パターンレイアウト(参考)
(参考: 基板厚1.6mm, メタルマスク厚み0.15mm, マスク開口率100%)
PCB PATTERN LAYOUT (REFERENCE)
(REFERENCE: PCB THICKNESS 1.6mm, STENCIL THICKNESS 0.15mm, APERTURE RATIO 100%)

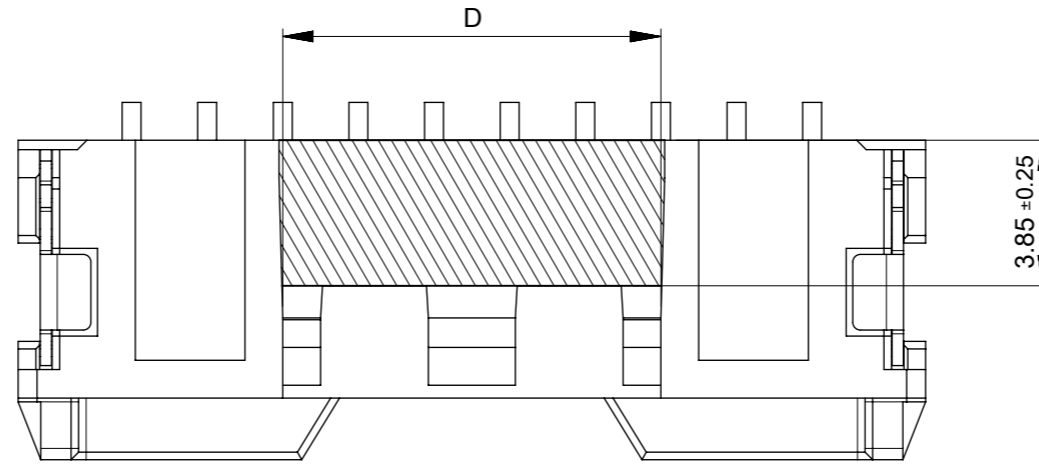
パターン非推奨エリア
パターンを引き回す際には製品機能に影響がないことを御確認ください。
PATTERN IS NOT RECOMMENDED ON THE HATCHING AREA.
PLEASE CHECK NOT TO HAVE PROBLEM FOR PRODUCT FUNCTION
WHEN SETTING PATTERN ON THE HATCHING AREA.

THIS DRAWING CONTAINS INFORMATION THAT IS PROPRIETARY TO MOLEX ELECTRONIC TECHNOLOGIES, LLC AND SHOULD NOT BE USED WITHOUT WRITTEN PERMISSION		CURRENT REV DESC: REVISED		molex	
DIMENSION UNITS	SCALE				
mm	NTS			MICRO-LOCK PLUS 2.0W/B SINGLE ROW RIGHT ANGLE SMT PLUG ASSEMBLY	
GENERAL TOLERANCES (UNLESS SPECIFIED)				PRODUCT CUSTOMER DRAWING	
ANGULAR TOL	± 3.0 °	EC NO: 645407		DOCUMENT NUMBER	DOC TYPE DOC PART REVISION
4 PLACES	± 0.2	DRWN: TENAGASE	2020/08/04	5055780001	PSD 000 B
3 PLACES	± 0.2	CHK'D: SAKIYAMA	2020/08/06		
2 PLACES	± 0.2	APPR: KOMURAKAMI	2021/03/09	INITIAL REVISION:	
1 PLACE	± 0.2	DRWN: TENAGASE	2016/05/12	DRWN: TENAGASE	
0 PLACES	± 0.2	APPR: TKANEKO	2016/06/23	APPR: TKANEKO	
DRAFT WHERE APPLICABLE MUST REMAIN WITHIN DIMENSIONS	THIRD ANGLE PROJECTION	DRAWING	SERIES	MATERIAL NUMBER	CUSTOMER
		A3-SIZE	505578	SEE SHEET 1	GENERAL
DOCUMENT STATUS	P1	RELEASE DATE	2021/03/09 10:25:26	SHEET NUMBER	
				2 OF 4	

吸着エリア
VACUUM AREA

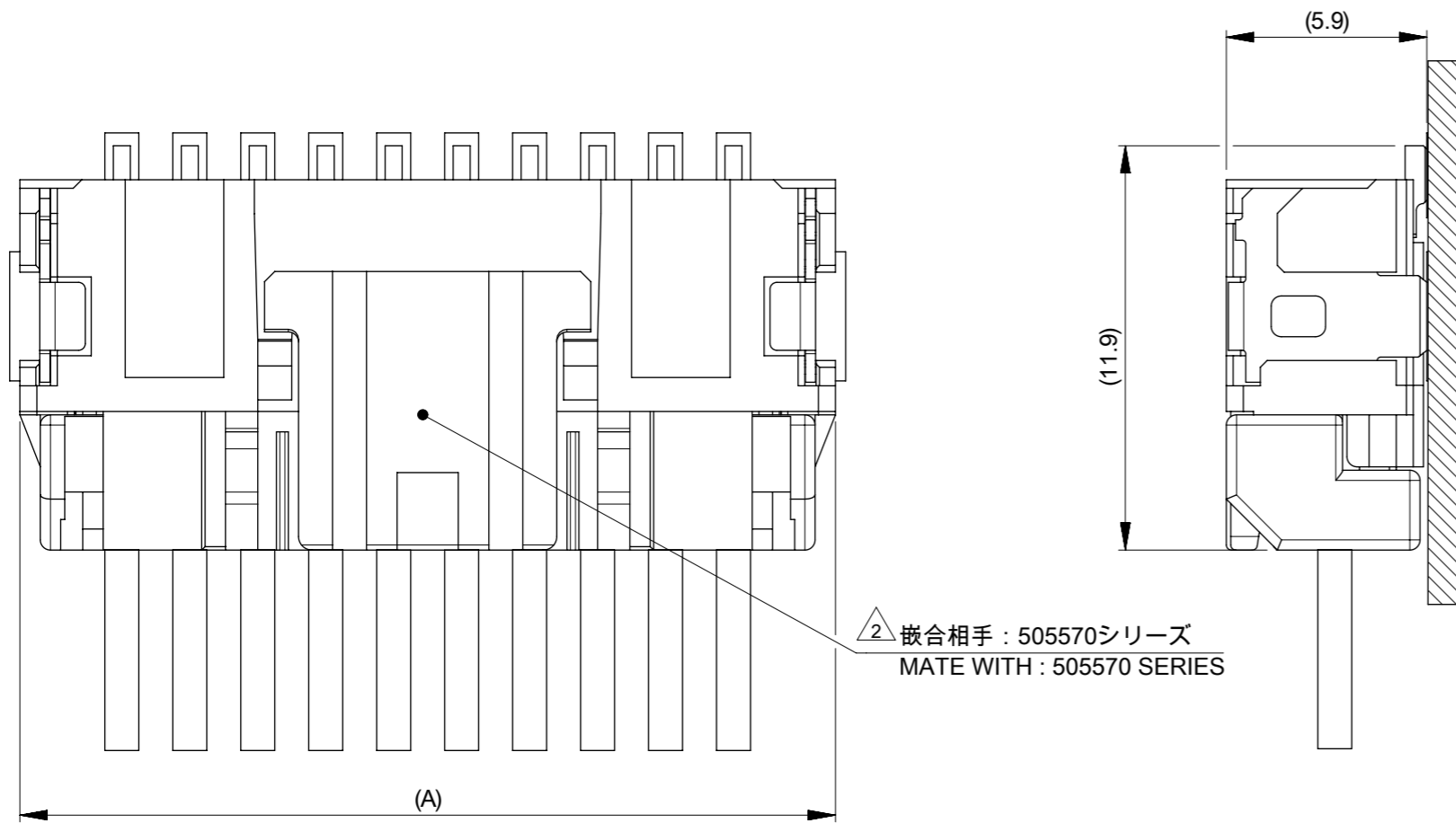


2-5CKT



6-16CKT

嵌合状態図
MATED CONNECTORS

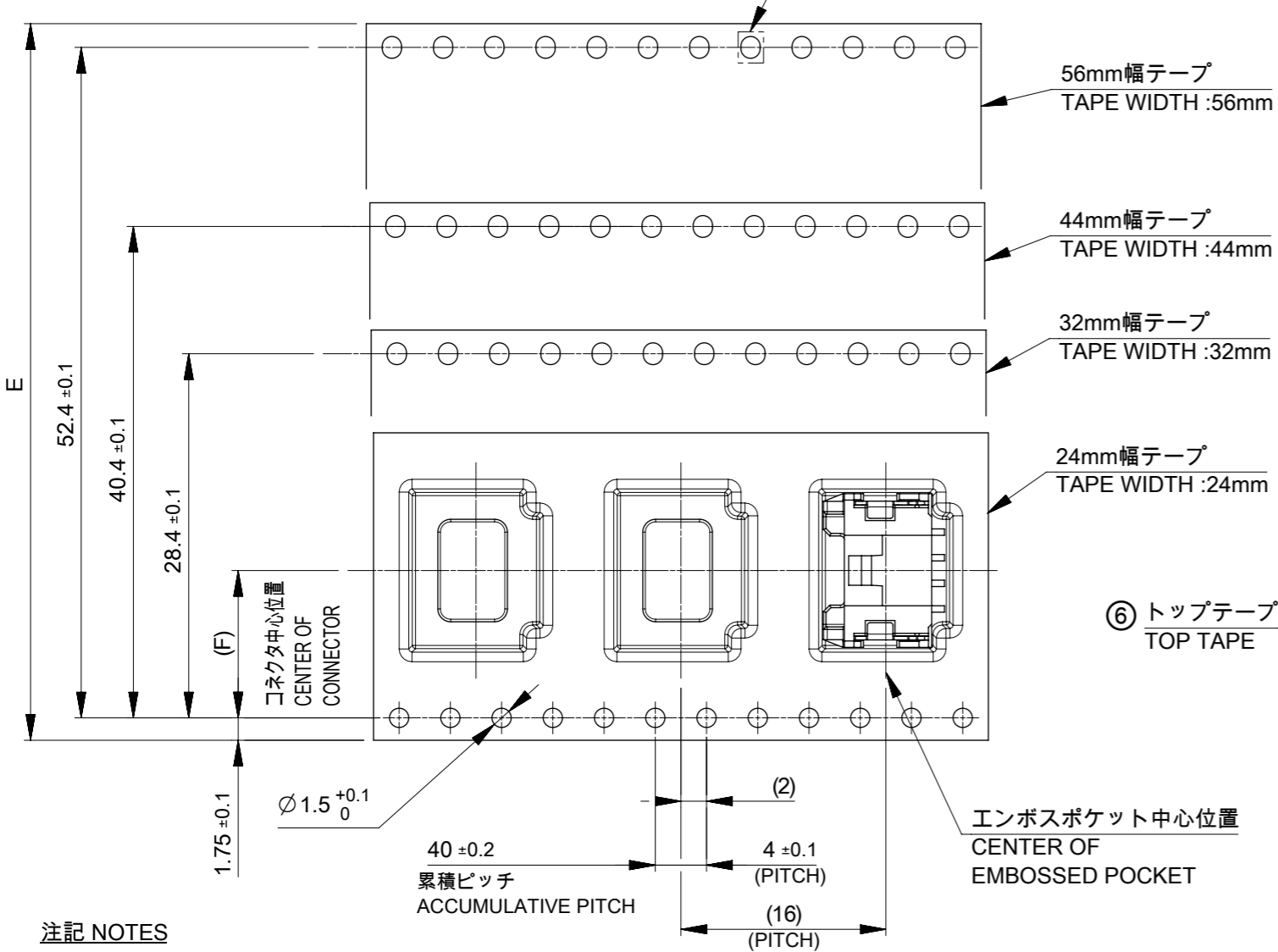


2 嵌合相手 : 505570シリーズ
MATE WITH : 505570 SERIES

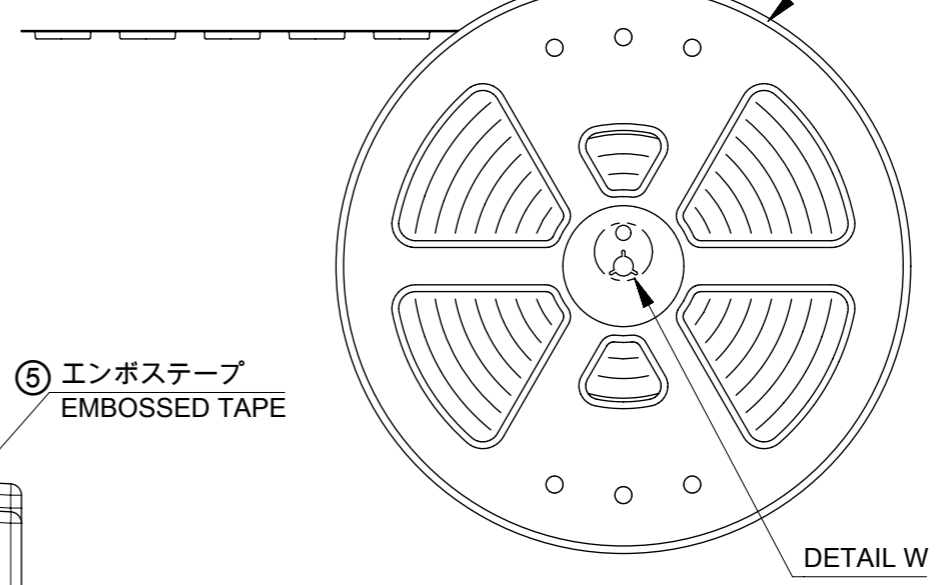
14	16
	15
	14
	13
	12
10	11
	10
	9
	8
5.5	7
	6
	5
3.5	4
	3
D	2
D	極数 CIRCUIT SIZE

THIS DRAWING CONTAINS INFORMATION THAT IS PROPRIETARY TO MOLEX ELECTRONIC TECHNOLOGIES, LLC AND SHOULD NOT BE USED WITHOUT WRITTEN PERMISSION		CURRENT REV DESC: REVISED		molex		
DIMENSION UNITS	SCALE					
mm	NTS			PRODUCT CUSTOMER DRAWING		
GENERAL TOLERANCES (UNLESS SPECIFIED)		EC NO: 645407		DOCUMENT NUMBER		
ANGULAR TOL ± 3.0°		DRWN: TENAGASE 2020/08/04		5055780001		
4 PLACES ± 0.2		CHK'D: SAKIYAMA 2020/08/06		DOC TYPE DOC PART REVISION		
3 PLACES ± 0.2		APPR: KOMURAKAMI 2021/03/09		PSD 000 B		
2 PLACES ± 0.2		INITIAL REVISION:		MATERIAL NUMBER		
1 PLACE ± 0.2		DRWN: TENAGASE 2016/05/12		CUSTOMER		
0 PLACES ± 0.2		APPR: TKANEKO 2016/06/23		SHEET NUMBER		
DRAFT WHERE APPLICABLE MUST REMAIN WITHIN DIMENSIONS		THIRD ANGLE PROJECTION	DRAWING	SERIES	MATERIAL NUMBER	CUSTOMER
			A3-SIZE	505578	SEE SHEET 1	GENERAL

引き出し方向
PULL OUT DIRECTION

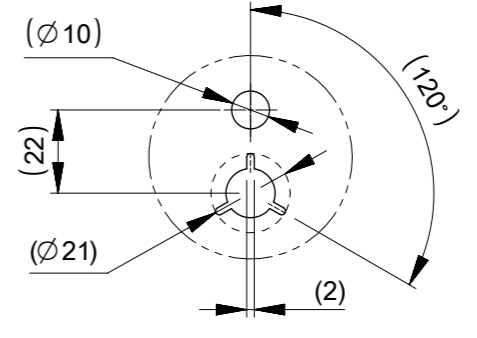
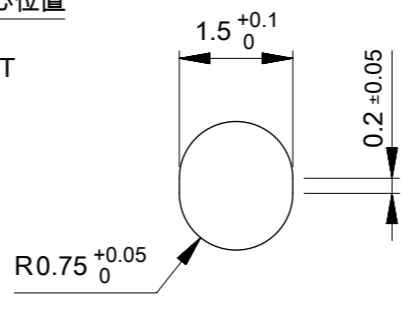


引き出し方向
PULL OUT DIRECTION



⑤ エンボステープ
EMBOSSED TAPE

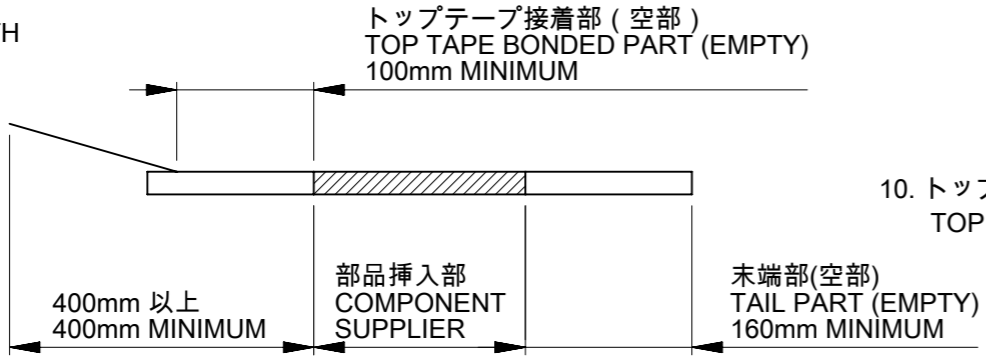
⑥ トップテープ
TOP TAPE



注記 NOTES

- 7. 梱包数量 : 900個
NUMBER OF CONNECTORS : 900 PIECES/REEL
- 8. 梱包仕様書 : 5055789200 PS 200
PACKING SPECIFICATION : 5055789200 PS 200
- 9. リードテープ長さ
LEAD TAPE LENGTH

引き出し方向
PULL OUT DIRECTION



10. トップテープの剥離強度については、IEC 60286-3に準拠
TOP TAPE PEEL FORCE IS DEFINED BY IEC 60286-3.

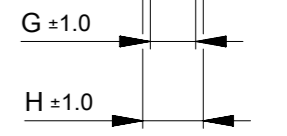


TABLE 2

番号 No.	部品 PART	材質 MATERIAL
⑤	エンボステープ EMBOSSED TAPE	ポリスチレン(PS) POLYSTYRENE(PS)
⑥	トップテープ TOP TAPE	ポリエチレン(PE), その他 POLYETHYLENE(PE), OTHER
⑦	リール REEL	ポリスチレン(PS), [リサイクル材を含む] POLYSTYRENE(PS) [RECYCLE MATERIAL CONTAINED]

61.4	57.4	26.2	56±0.3	16
				15
				14
				13
				12
				11
49.4	45.4	20.2	44±0.3	10
				9
				8
				7
37.4	33.4	14.2	32±0.3	6
				5
				4
29.4	25.4	11.5	24 ^{+0.3} _{-0.1}	3
				2
H	G	F	E	極数 CIRCUIT SIZE

THIS DRAWING CONTAINS INFORMATION THAT IS PROPRIETARY TO MOLEX ELECTRONIC TECHNOLOGIES, LLC AND SHOULD NOT BE USED WITHOUT WRITTEN PERMISSION

DIMENSION UNITS mm	SCALE NTS	CURRENT REV DESC: REVISED	
GENERAL TOLERANCES (UNLESS SPECIFIED)		<p>molex</p> <p>MICRO-LOCK PLUS 2.0W/B SINGLE ROW RIGHT ANGLE SMT PLUG ASSEMBLY</p> <p>PRODUCT CUSTOMER DRAWING</p>	
ANGULAR TOL	± 3.0 °		
4 PLACES	± 0.2		
3 PLACES	± 0.2		
2 PLACES	± 0.2		
1 PLACE	± 0.2	EC NO: 645407	2020/08/04
0 PLACES	± 0.2	DRWN: TENAGASE	2020/08/06
DRAFT WHERE APPLICABLE MUST REMAIN WITHIN DIMENSIONS		APPR: KOMURAKAMI	2021/03/09
THIRD ANGLE PROJECTION		INITIAL REVISION:	DOCUMENT NUMBER
DRAWING		DRWN: TENAGASE	5055780001
SERIES		APPR: TKANEKO	DOC TYPE
A3-SIZE		2016/05/12	PSD
505578		2016/06/23	000
MATERIAL NUMBER		CUSTOMER	REVISION
SEE SHEET 1		GENERAL	B
SHEET NUMBER		4 OF 4	