

Distributed I/O device - FLM DO 4 M8-2A



2736932

<https://www.phoenixcontact.com/us/products/2736932>

Please be informed that the data shown in this PDF document is generated from our Online Catalog. Please find the complete data in the user documentation. Our General Terms of Use for Downloads are valid.



The space-saving local bus device is particularly suitable for use in close proximity to the process. Functions: 4 digital outputs each with a load capacity of 2 A, channel-specific diagnostics, short-circuit and overload protection, M8 connection method.

Product Description

The device is designed for use in Fieldline Modular M8 local bus, which is opened by a Fieldline or Inline bus coupler. It is used to output digital signals.

Your advantages

- Can also be connected to an Inline station
- Optimized for 30 mm mounting profile
- Diagnostic and status indicators
- Short-circuit and overload protection
- Consistent connection via M8 connectors

Commercial Data

Item number	2736932
Packing unit	1 pc
Minimum order quantity	1 pc
Note	Made to Order (non-returnable)
Sales Key	C21
Product Key	DRI432
Catalog Page	Page 195 (C-6-2019)
GTIN	4046356087193
Weight per Piece (including packing)	159.4 g
Weight per Piece (excluding packing)	137 g
Customs tariff number	85176200
Country of origin	DE

Distributed I/O device - FLM DO 4 M8-2A

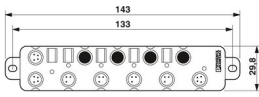


2736932

<https://www.phoenixcontact.com/us/products/2736932>

Technical Data

Dimensions

Dimensional drawing	
Width	29.8 mm
Height	143 mm
Depth	26.5 mm
Drill hole spacing	133 mm
Note on dimensions	Length details incl. fixing clips

Material specifications

Color	black
-------	-------

Interfaces

Fieldline local bus

Connection method	2 M8 male connector
Designation connection point	Copper cable
Number of positions	5
Transmission speed	500 kbps

System properties

Module

ID code (dec.)	177
ID code (hex)	B1
Length code (hex)	41
Length code (dec)	65
Process data channel	4 Bit
Input address area	0 Bit
Output address area	4 Bit
Register length	4 Bit
Required parameter data	3 Byte
Required configuration data	4 Byte

Input data

Digital

Input voltage	24 V DC
Input voltage range "0" signal	-30 V DC ... 5 V DC
Input voltage range "1" signal	13 V DC ... 30 V DC

Distributed I/O device - FLM DO 4 M8-2A



2736932

<https://www.phoenixcontact.com/us/products/2736932>

Output data

Digital

Output name	Digital outputs
Connection method	M8 connector
Connection technology	2-, 3-conductor
Number of outputs	4
Protective circuit	Short-circuit protection
Output voltage	24 V DC
Maximum output current per channel	2 A

Product properties

Type	modular
Product type	I/O component
No. of channels	4

Electrical properties

No. of channels	4
-----------------	---

Potentials

Voltage supply U_L	24 V DC
----------------------	---------

Supply: Module electronics

Connection method	M8 connector
Designation	U_L
Number of positions	4
Supply voltage	24 V DC
Supply voltage range	18 V DC ... 30 V DC (including ripple)
Supply current	3 A

Connection data

Connection method	M8 connector
-------------------	--------------

Ambient conditions

Ambient temperature (operation)	-25 °C ... 60 °C
Degree of protection	IP65/IP67
Air pressure (operation)	80 kPa ... 106 kPa (up to 2000 m above sea level)
Air pressure (storage/transport)	70 kPa ... 106 kPa (up to 3000 m above sea level)
Ambient temperature (storage/transport)	-25 °C ... 85 °C
Permissible humidity (storage/transport)	95 %

Standards and regulations

Protection class	III (IEC 61140, EN 61140, VDE 0140-1)
------------------	---------------------------------------

Mounting

Distributed I/O device - FLM DO 4 M8-2A



2736932

<https://www.phoenixcontact.com/us/products/2736932>

Mounting type	Wall mounting
---------------	---------------

Distributed I/O device - FLM DO 4 M8-2A

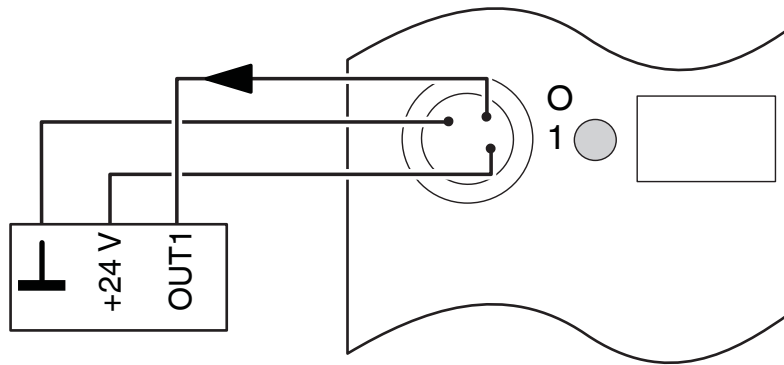


2736932

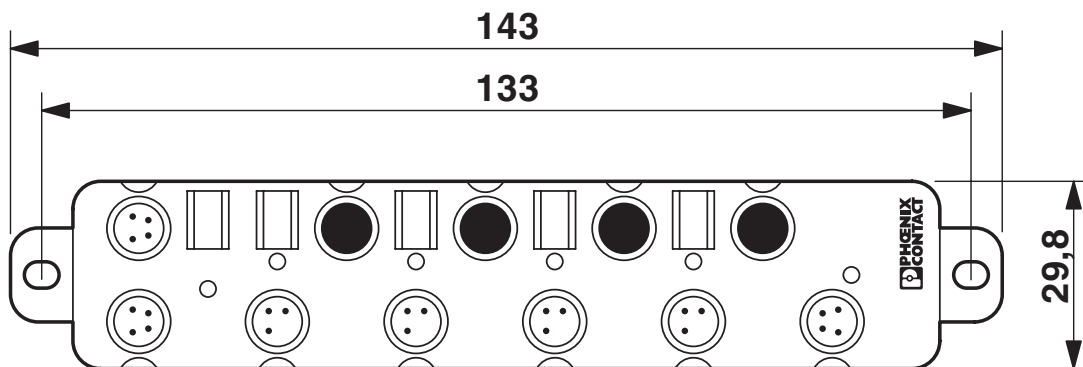
<https://www.phoenixcontact.com/us/products/2736932>

Drawings

Connection diagram



Dimensional drawing



Top view (dimensions in mm)

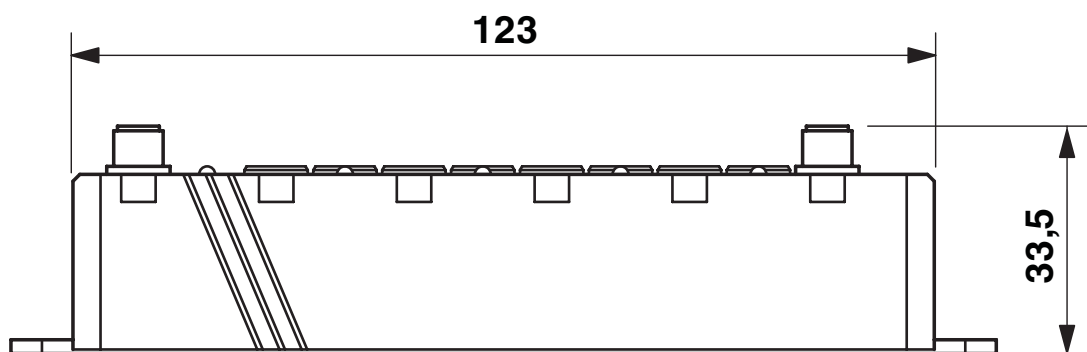
Distributed I/O device - FLM DO 4 M8-2A



2736932

<https://www.phoenixcontact.com/us/products/2736932>

Dimensional drawing



Side view (dimensions in mm)

Distributed I/O device - FLM DO 4 M8-2A



2736932

<https://www.phoenixcontact.com/us/products/2736932>

Approvals



cUL Recognized
Approval ID: FILE E 140324



UL Recognized
Approval ID: FILE E 140324



cUL Recognized
Approval ID: FILE E 199827



UL Recognized
Approval ID: FILE E 199827

cULus Recognized

cULus Recognized

Distributed I/O device - FLM DO 4 M8-2A



2736932

<https://www.phoenixcontact.com/us/products/2736932>

Classifications

ECLASS

ECLASS-9.0	27242604
ECLASS-10.0.1	27242604
ECLASS-11.0	27242604

ETIM

ETIM 8.0	EC001599
----------	----------

UNSPSC

UNSPSC 21.0	32151600
-------------	----------

Distributed I/O device - FLM DO 4 M8-2A



2736932

<https://www.phoenixcontact.com/us/products/2736932>

Environmental Product Compliance

REACH SVHC	Lead 7439-92-1
China RoHS	Environmentally Friendly Use Period = 50 years
	For information on hazardous substances, refer to the manufacturer's declaration available under "Downloads"

Distributed I/O device - FLM DO 4 M8-2A



2736932

<https://www.phoenixcontact.com/us/products/2736932>

Accessories

Screw plug

Screw plug - PROT-M8 - 1682540

<https://www.phoenixcontact.com/us/products/1682540>



An M8 screw plug for the unoccupied M8 sockets of the sensor/actuator cable, boxes and flush-type connectors

Zack Marker strip, flat

Zack Marker strip, flat - ZBF 8:UNBEDRUCKT - 0808781

<https://www.phoenixcontact.com/us/products/0808781>



Zack Marker strip, flat, Strip, white, unlabeled, can be labeled with: PLOTMARK, CMS-P1-PLOTTER, mounting type: snapped, for terminal block width: 8 mm, lettering field size: 5.15 x 8.15 mm, Number of individual labels: 10

Distributed I/O device - FLM DO 4 M8-2A

2736932

<https://www.phoenixcontact.com/us/products/2736932>

Bus system cable

Bus system cable - SAC-4P-M 8MS/ 2,0-950 - 1543249

<https://www.phoenixcontact.com/us/products/1543249>



Bus system cable, INTERBUS, 4-position, PUR halogen-free, black RAL 9005, shielded, Plug straight M8, on free cable end, cable length: 2 m

Bus system cable

Bus system cable - SAC-4P-M 8MS/ 5,0-950 - 1543252

<https://www.phoenixcontact.com/us/products/1543252>



Bus system cable, INTERBUS, 4-position, PUR halogen-free, black RAL 9005, shielded, Plug straight M8, on free cable end, cable length: 5 m

Distributed I/O device - FLM DO 4 M8-2A



2736932

<https://www.phoenixcontact.com/us/products/2736932>

Bus system cable

Bus system cable - SAC-4P-M 8MS/10,0-950 - 1543265

<https://www.phoenixcontact.com/us/products/1543265>



Bus system cable, INTERBUS, 4-position, PUR halogen-free, black RAL 9005, shielded, Plug straight M8, on free cable end, cable length: 10 m

Bus system cable

Bus system cable - SAC-4P-M 8MS/15,0-950 - 1543278

<https://www.phoenixcontact.com/us/products/1543278>



Bus system cable, INTERBUS, 4-position, PUR halogen-free, black RAL 9005, shielded, Plug straight M8, on free cable end, cable length: 15 m

Distributed I/O device - FLM DO 4 M8-2A

2736932

<https://www.phoenixcontact.com/us/products/2736932>

Bus system cable

Bus system cable - SAC-4P-M 8MS/20,0-950 - 1543281

<https://www.phoenixcontact.com/us/products/1543281>



Bus system cable, INTERBUS, 4-position, PUR halogen-free, black RAL 9005, shielded, Plug straight M8, on free cable end, cable length: 20 m

Bus system cable

Bus system cable - SAC-4P- 2,0-950/M 8FS - 1543294

<https://www.phoenixcontact.com/us/products/1543294>



Bus system cable, INTERBUS, 4-position, PUR halogen-free, black RAL 9005, shielded, free cable end, on Socket straight M8, cable length: 2 m

Distributed I/O device - FLM DO 4 M8-2A

2736932

<https://www.phoenixcontact.com/us/products/2736932>

Bus system cable

Bus system cable - SAC-4P- 5,0-950/M 8FS - 1543304

<https://www.phoenixcontact.com/us/products/1543304>



Bus system cable, INTERBUS, 4-position, PUR halogen-free, black RAL 9005, shielded, free cable end, on Socket straight M8, cable length: 5 m

Bus system cable

Bus system cable - SAC-4P-10,0-950/M 8FS - 1543317

<https://www.phoenixcontact.com/us/products/1543317>



Bus system cable, INTERBUS, 4-position, PUR halogen-free, black RAL 9005, shielded, free cable end, on Socket straight M8, cable length: 10 m

Distributed I/O device - FLM DO 4 M8-2A

2736932

<https://www.phoenixcontact.com/us/products/2736932>

Bus system cable

Bus system cable - SAC-4P-15,0-950/M 8FS - 1543320

<https://www.phoenixcontact.com/us/products/1543320>



Bus system cable, INTERBUS, 4-position, PUR halogen-free, black RAL 9005, shielded, free cable end, on Socket straight M8, cable length: 15 m

Bus system cable

Bus system cable - SAC-4P-20,0-950/M 8FS - 1543333

<https://www.phoenixcontact.com/us/products/1543333>



Bus system cable, INTERBUS, 4-position, PUR halogen-free, black RAL 9005, shielded, free cable end, on Socket straight M8, cable length: 20 m

Distributed I/O device - FLM DO 4 M8-2A



2736932

<https://www.phoenixcontact.com/us/products/2736932>

Bus system cable

Bus system cable - SAC-4P-M 8MS/ 0,13-950/M 8FS - 1543346

<https://www.phoenixcontact.com/us/products/1543346>



Bus system cable, INTERBUS, 4-position, PUR halogen-free, black RAL 9005, shielded, Plug straight M8, on Socket straight M8, cable length: 0.13 m

Bus system cable

Bus system cable - SAC-4P-M 8MS/ 0,3-950/M 8FS - 1543511

<https://www.phoenixcontact.com/us/products/1543511>



Bus system cable, INTERBUS, 4-position, PUR halogen-free, black RAL 9005, shielded, Plug straight M8, on Socket straight M8, cable length: 0.3 m

Distributed I/O device - FLM DO 4 M8-2A

2736932

<https://www.phoenixcontact.com/us/products/2736932>

Bus system cable

Bus system cable - SAC-4P-M 8MS/ 0,5-950/M 8FS - 1543524

<https://www.phoenixcontact.com/us/products/1543524>



Bus system cable, INTERBUS, 4-position, PUR halogen-free, black RAL 9005, shielded, Plug straight M8, on Socket straight M8, cable length: 0.5 m

Bus system cable

Bus system cable - SAC-4P-M 8MS/ 1,0-950/M 8FS - 1543537

<https://www.phoenixcontact.com/us/products/1543537>



Bus system cable, INTERBUS, 4-position, PUR halogen-free, black RAL 9005, shielded, Plug straight M8, on Socket straight M8, cable length: 1 m

Distributed I/O device - FLM DO 4 M8-2A



2736932

<https://www.phoenixcontact.com/us/products/2736932>

Bus system cable

Bus system cable - SAC-4P-M 8MS/ 2,0-950/M 8FS - 1543359

<https://www.phoenixcontact.com/us/products/1543359>



Bus system cable, INTERBUS, 4-position, PUR halogen-free, black RAL 9005, shielded, Plug straight M8, on Socket straight M8, cable length: 2 m

Bus system cable

Bus system cable - SAC-4P-M 8MS/ 5,0-950/M 8FS - 1543362

<https://www.phoenixcontact.com/us/products/1543362>



Bus system cable, INTERBUS, 4-position, PUR halogen-free, black RAL 9005, shielded, Plug straight M8, on Socket straight M8, cable length: 5 m

Distributed I/O device - FLM DO 4 M8-2A

2736932

<https://www.phoenixcontact.com/us/products/2736932>

Bus system cable

Bus system cable - SAC-4P-M 8MS/10,0-950/M 8FS - 1543375

<https://www.phoenixcontact.com/us/products/1543375>



Bus system cable, INTERBUS, 4-position, PUR halogen-free, black RAL 9005, shielded, Plug straight M8, on Socket straight M8, cable length: 10 m

Bus system cable

Bus system cable - SAC-4P-M 8MS/15,0-950/M 8FS - 1543388

<https://www.phoenixcontact.com/us/products/1543388>



Bus system cable, INTERBUS, 4-position, PUR halogen-free, black RAL 9005, shielded, Plug straight M8, on Socket straight M8, cable length: 15 m

Distributed I/O device - FLM DO 4 M8-2A



2736932

<https://www.phoenixcontact.com/us/products/2736932>

Bus system cable

Bus system cable - SAC-4P-M 8MS/20,0-950/M 8FS - 1543391

<https://www.phoenixcontact.com/us/products/1543391>



Bus system cable, INTERBUS, 4-position, PUR halogen-free, black RAL 9005, shielded, Plug straight M8, on Socket straight M8, cable length: 20 m

Sensor/actuator cable

Sensor/actuator cable - SAC-4P- 2,0-PUR/M 8FS 0,34 - 1543582

<https://www.phoenixcontact.com/us/products/1543582>



Sensor/actuator cable, 4-position, PUR halogen-free, black-gray RAL 7021, free cable end, on Socket straight M8, cable length: 2 m

Distributed I/O device - FLM DO 4 M8-2A

2736932

<https://www.phoenixcontact.com/us/products/2736932>

Sensor/actuator cable

Sensor/actuator cable - SAC-4P- 5,0-PUR/M 8FS 0,34 - 1534818

<https://www.phoenixcontact.com/us/products/1534818>



Sensor/actuator cable, 4-position, PUR halogen-free, black-gray RAL 7021, free cable end, on Socket straight M8, cable length: 5 m

Sensor/actuator cable

Sensor/actuator cable - SAC-4P-10,0-PUR/M 8FS 0,34 - 1543595

<https://www.phoenixcontact.com/us/products/1543595>



Sensor/actuator cable, 4-position, PUR halogen-free, black-gray RAL 7021, free cable end, on Socket straight M8, cable length: 10 m

Distributed I/O device - FLM DO 4 M8-2A

2736932

<https://www.phoenixcontact.com/us/products/2736932>

Sensor/actuator cable

Sensor/actuator cable - SAC-4P-15,0-PUR/M 8FS 0,34 - 1543605

<https://www.phoenixcontact.com/us/products/1543605>



Sensor/actuator cable, 4-position, PUR halogen-free, black-gray RAL 7021, free cable end, on Socket straight M8, cable length: 15 m

Sensor/actuator cable

Sensor/actuator cable - SAC-4P-20,0-PUR/M 8FS 0,34 - 1543618

<https://www.phoenixcontact.com/us/products/1543618>



Sensor/actuator cable, 4-position, PUR halogen-free, black-gray RAL 7021, free cable end, on Socket straight M8, cable length: 20 m

Distributed I/O device - FLM DO 4 M8-2A

2736932

<https://www.phoenixcontact.com/us/products/2736932>

Sensor/actuator cable

Sensor/actuator cable - SAC-4P-M 8FS/.../... - 1697771

<https://www.phoenixcontact.com/us/products/1697771>



Sensor/actuator cable, 4-position, Variable cable type, free cable end, on Socket straight M8, cable length: Free input (0.2 ... 40.0 m)

Bus system cable

Bus system cable - SAC-4P-950/... - 1543401

<https://www.phoenixcontact.com/us/products/1543401>



Bus system cable, INTERBUS, 4-position halogen-free, shielded, free cable end, on free cable end, cable length: Free entry (0.5 ... 400 m)

Distributed I/O device - FLM DO 4 M8-2A



2736932

<https://www.phoenixcontact.com/us/products/2736932>

Adapter

Adapter - FLM ADAP M12/M8 - 2736961

<https://www.phoenixcontact.com/us/products/2736961>

Adapter for connecting Fieldline Modular M8 devices to a Fieldline Modular M12 local bus

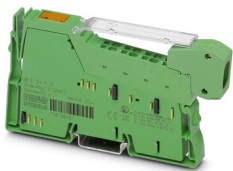


Communication module

Communication module - IB IL 24 FLM-PAC - 2736903

<https://www.phoenixcontact.com/us/products/2736903>

Inline, Branch terminal, for extending the Inline local bus to Inline or Fieldline Modular, transmission speed in the local bus: 500 kbps / 2 Mbps, degree of protection: IP20, including Inline connector and labeling field



Distributed I/O device - FLM DO 4 M8-2A

2736932

<https://www.phoenixcontact.com/us/products/2736932>

Connector

Connector - SACC-M 8MS-4CON-M-0,34-SH - 1542897

<https://www.phoenixcontact.com/us/products/1542897>



Connector, Universal, 4-position, shielded, Plug straight M8, A-coded, Screw connection, knurl material: Nickel-plated brass, external cable diameter 3.5 mm .. . 5.5 mm

Connector

Connector - SACC-M 8FS-4CON-M-0,34-SH - 1542910

<https://www.phoenixcontact.com/us/products/1542910>



Connector, Universal, 4-position, shielded, Socket straight M8, A-coded, Screw connection, knurl material: Nickel-plated brass, external cable diameter 3.5 mm .. . 5.5 mm

Distributed I/O device - FLM DO 4 M8-2A



2736932

<https://www.phoenixcontact.com/us/products/2736932>

Connector

Connector - SACC-M 8FS-4PCON - 1506781

<https://www.phoenixcontact.com/us/products/1506781>



Connector, Universal, 4-position, Socket straight M8, A-coded, Piercecon® fast connection, knurl material: Nickel-plated brass, external cable diameter 3 mm ... 5 mm

Phoenix Contact 2022 © - all rights reserved

<https://www.phoenixcontact.com>

Phoenix Contact USA

586 Fulling Mill Road

Middletown, PA 17057, United States

(+717) 944-1300

info@phoenixcon.com