

# Screw plug - PROT-MINMS-PA-CHAIN



1430925

<https://www.phoenixcontact.com/us/products/1430925>

Please be informed that the data shown in this PDF document is generated from our Online Catalog. Please find the complete data in the user documentation. Our General Terms of Use for Downloads are valid.

7/8" sealing cap made of plastic with fixing band, for sensor cables, for 7/8" sockets



## Commercial Data

Item number	1430925
Packing unit	1 pc
Minimum order quantity	10 pc
Sales Key	B06
Product Key	BF1ZAX
Catalog Page	Page 55 (C-2-2019)
GTIN	4046356332811
Weight per Piece (including packing)	11.02 g
Weight per Piece (excluding packing)	11 g
Customs tariff number	39269097
Country of origin	DE

# Screw plug - PROT-MINMS-PA-CHAIN



1430925

<https://www.phoenixcontact.com/us/products/1430925>

## Technical Data

### Product properties

Product type	Plug for cable screw gland
Thread type	7/8"

### Material specifications

Color	black
Material	PA 6.6 GF
Material	PUR (Holding band)
Flammability rating according to UL 94	V0
Sealing material	NBR

### Environmental and real-life conditions

#### Ambient conditions

Degree of protection	IP65
	IP67
Ambient temperature (operation)	-25 °C ... 85 °C

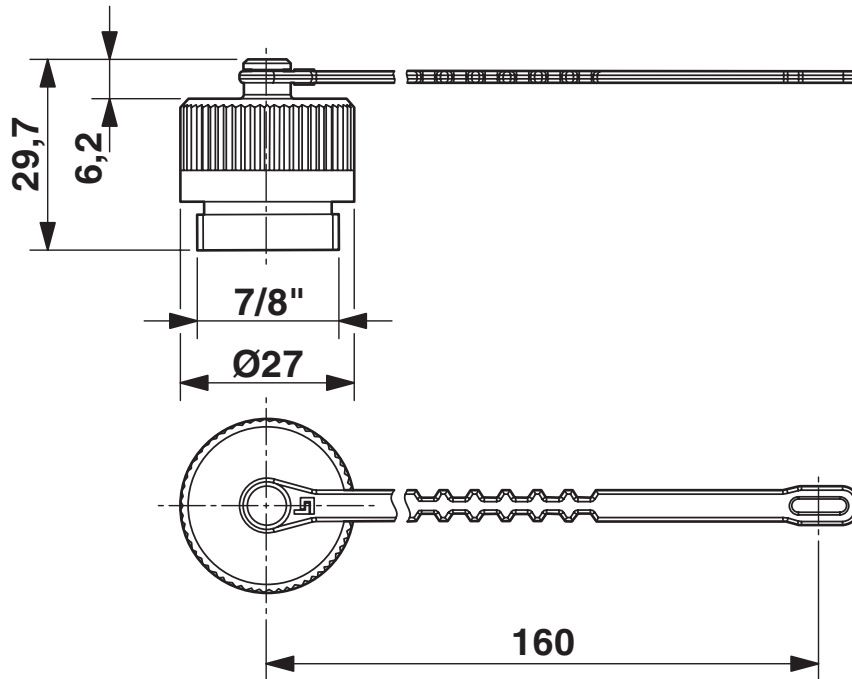
# Screw plug - PROT-MINMS-PA-CHAIN

1430925

<https://www.phoenixcontact.com/us/products/1430925>

## Drawings

Dimensional drawing



Dimensional drawing

# Screw plug - PROT-MINMS-PA-CHAIN



1430925

<https://www.phoenixcontact.com/us/products/1430925>

## Classifications

### ECLASS

ECLASS-9.0	23111190
ECLASS-10.0.1	23111190
ECLASS-11.0	23111190

### ETIM

ETIM 8.0	EC000032
----------	----------

### UNSPSC

UNSPSC 21.0	31261500
-------------	----------

# Screw plug - PROT-MINMS-PA-CHAIN



1430925

<https://www.phoenixcontact.com/us/products/1430925>

## Environmental Product Compliance

China RoHS	Environmentally friendly use period: unlimited = EFUP-e No hazardous substances above threshold values
------------	---

Phoenix Contact 2022 © - all rights reserved  
<https://www.phoenixcontact.com>

Phoenix Contact USA  
586 Fulling Mill Road  
Middletown, PA 17057, United States  
(+717) 944-1300  
[info@phoenixcon.com](mailto:info@phoenixcon.com)