

Sensor/actuator box - PSR-SACB-4/4-L- 5,0PUR-SD



2981871

<https://www.phoenixcontact.com/us/products/2981871>

Please be informed that the data shown in this PDF document is generated from our Online Catalog. Please find the complete data in the user documentation. Our General Terms of Use for Downloads are valid.



The sensor box PSR-SACB for safety limit switches safely interconnects up to 4 connected limit switches, each with 1 N/C contact and 1 N/O contact, to a safety relay combination, e.g. PSR-SDC4, cable length: 5 m

Your advantages

- Safety in the field, thanks to robust housing and high degree of protection
- Flexible, distributed bundling of signals in one master cable
- Convenient: increased machine availability thanks to quick and easy diagnostics

Commercial Data

Item number	2981871
Packing unit	1 pc
Minimum order quantity	1 pc
Note	Made to Order (non-returnable)
Sales Key	C18
Product Key	DNA222
Catalog Page	Page 233 (C-6-2019)
GTIN	4046356167970
Weight per Piece (including packing)	555 g
Weight per Piece (excluding packing)	547 g
Customs tariff number	85444290
Country of origin	DE

Sensor/actuator box - PSR-SACB-4/4-L- 5,0PUR-SD



2981871

<https://www.phoenixcontact.com/us/products/2981871>

Technical Data

Product properties

Product type	Distributor boxes with M8 to M12 slots
Number of positions	4
Number of slots	4
Coding	A - standard

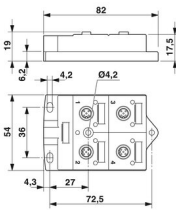
Insulation characteristics

Overvoltage category	III
----------------------	-----

Material specifications

Color	yellow
Flammability rating according to UL 94	V0
Insulating material	PA 6.6
Material of threaded sleeve	PA
Housing material	PA

Dimensions

Dimensional drawing	
Width	54 mm
Height	82 mm
Depth	19 mm

LED signaling

Status display	Yellow LED
Status display present	yes

Electrical properties

Max. permissible current	100 mA (per signal output)
Max. permissible total current	100 mA (alarm outputs)
Nominal operating mode	100% operating factor
Rated insulation voltage	50 V DC
Rated surge voltage	0.8 kV

Input data

Nominal input voltage U_N	24 V DC (from PSR)
Input voltage range in reference to U_N	0.8 ... 1.1

Sensor/actuator box - PSR-SACB-4/4-L- 5,0PUR-SD



2981871

<https://www.phoenixcontact.com/us/products/2981871>

Cable / line

Cable length	5 m
Cable type	Master cable suitable for flexible cable conduit
Sensor/actuator connection system	M12 socket
Connection method	Fixed connection
Outside diameter	8.2 mm
Conductor cross section signal conductor	6x 0.34 mm ²
Metric conductor cross section (Signal)	0.3 mm ² ... 0.5 mm ²
Cross section AWG (Signal)	22 ... 24
AWG signal line	22
Conductor cross section voltage supply	2x 0.75 mm ²
Metric conductor cross section (Power)	0.75 mm ² ... 1 mm ²
Cross section AWG (Power)	24 ... 17
AWG power supply	18
Ambient temperature (operation)	-30 °C ... 70 °C (for fixed installation) -5 °C ... 70 °C (for flexible installation)

Standards and regulations

Air clearances and creepage distances

Standards/regulations	DIN EN 50178
-----------------------	--------------

Ambient conditions

Degree of protection	IP65/IP67
Ambient temperature (operation)	-20 °C ... 70 °C
Ambient temperature (storage/transport)	-20 °C ... 70 °C

Sensor/actuator box - PSR-SACB-4/4-L- 5,0PUR-SD

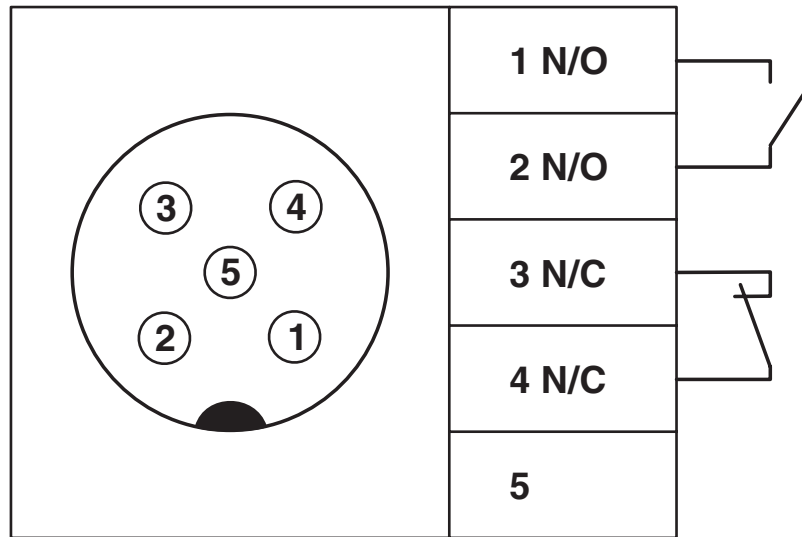


2981871

<https://www.phoenixcontact.com/us/products/2981871>

Drawings

Connection diagram

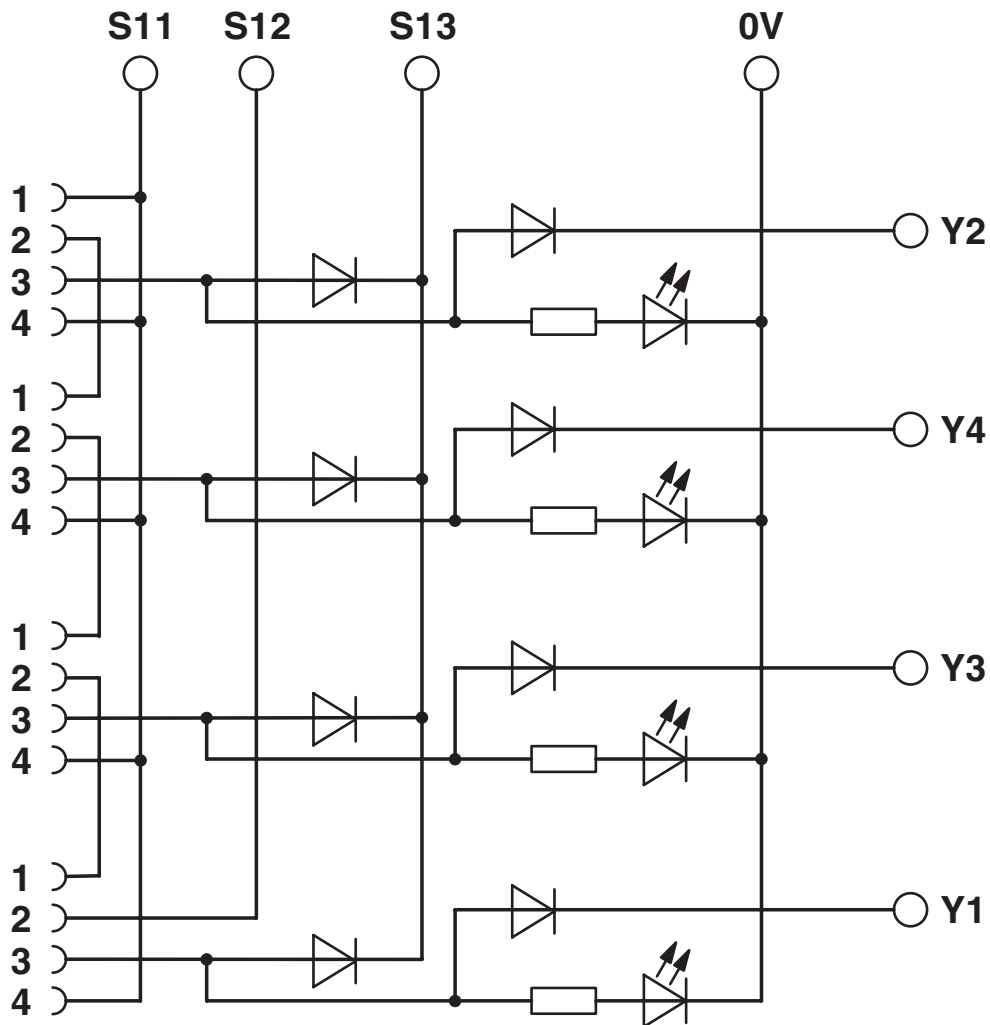


Wiring of the M12 contacts (open safety door)

2981871

<https://www.phoenixcontact.com/us/products/2981871>

Block diagram

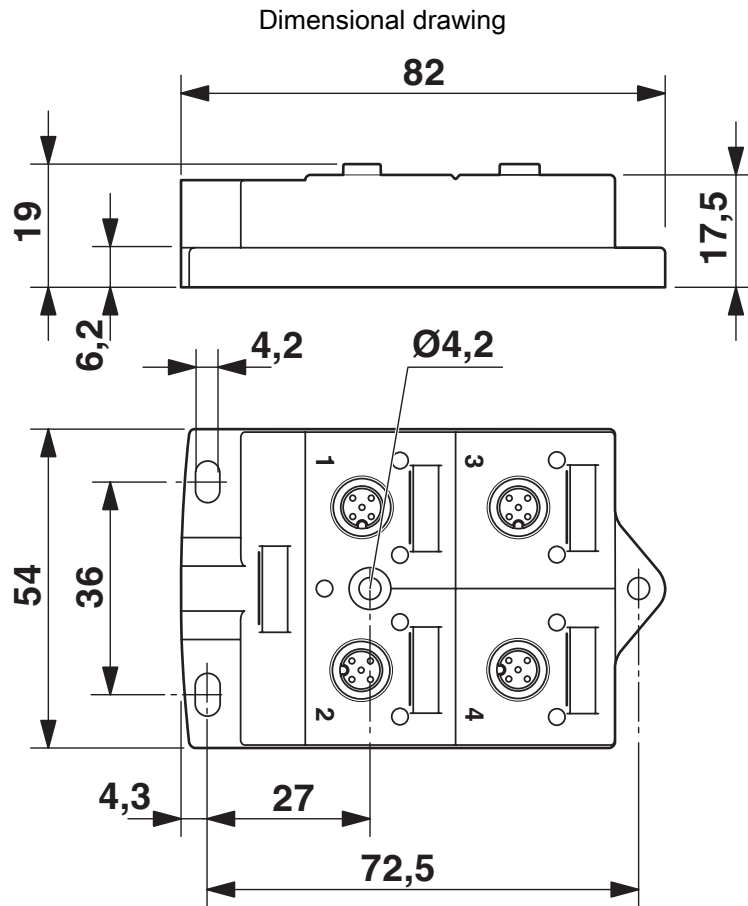


Block diagram

Sensor/actuator box - PSR-SACB-4/4-L- 5,0PUR-SD

2981871

<https://www.phoenixcontact.com/us/products/2981871>

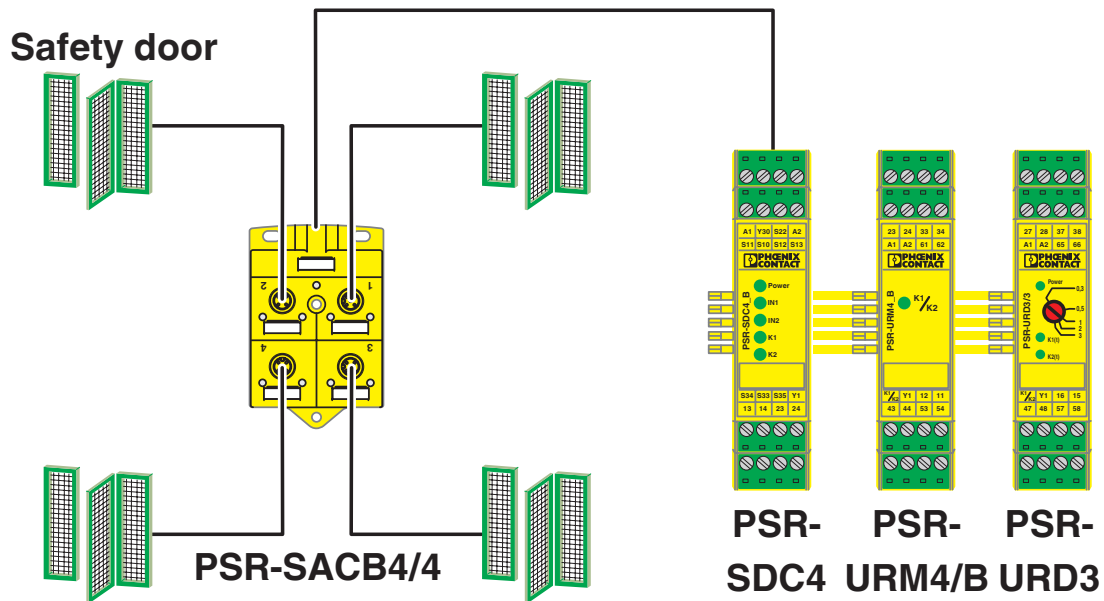


Sensor/actuator box - PSR-SACB-4/4-L- 5,0PUR-SD

2981871

<https://www.phoenixcontact.com/us/products/2981871>

Application drawing



Signals of up to 4 safety door switches can be switched together directly in the field.

Sensor/actuator box - PSR-SACB-4/4-L- 5,0PUR-SD



2981871

<https://www.phoenixcontact.com/us/products/2981871>

Approvals



cUL Recognized
Approval ID: FILE E 140324



UL Recognized
Approval ID: FILE E 140324



EAC
Approval ID: TR_TS_D_00573_c

cULus Recognized

Sensor/actuator box - PSR-SACB-4/4-L- 5,0PUR-SD



2981871

<https://www.phoenixcontact.com/us/products/2981871>

Classifications

ECLASS

ECLASS-9.0	27440108
ECLASS-10.0.1	27440108
ECLASS-11.0	27440108

ETIM

ETIM 8.0	EC002585
----------	----------

UNSPSC

UNSPSC 21.0	31251500
-------------	----------

Sensor/actuator box - PSR-SACB-4/4-L- 5,0PUR-SD



2981871

<https://www.phoenixcontact.com/us/products/2981871>

Environmental Product Compliance

China RoHS	Environmentally friendly use period: unlimited = EFUP-e
	No hazardous substances above threshold values

Sensor/actuator box - PSR-SACB-4/4-L- 5,0PUR-SD



2981871

<https://www.phoenixcontact.com/us/products/2981871>

Accessories

Short-circuit connector

Short-circuit connector - SAC-2P-M12MS ASI TR - 1539570

<https://www.phoenixcontact.com/us/products/1539570>



Short-circuit plug, for bridging unused slots on PSR-SACB sensor box for safety limit switch

Zack marker strip

Zack marker strip - ZBN 18:UNBEDRUCKT - 2809128

<https://www.phoenixcontact.com/us/products/2809128>



Zack marker strip, Strip, white, unlabeled, can be labeled with: CMS-P1-PLOTTER, PLOTMARK, mounting type: snapped, for terminal block width: 18 mm, lettering field size: 18 x 5 mm, Number of individual labels: 5

Phoenix Contact 2022 © - all rights reserved

<https://www.phoenixcontact.com>

Phoenix Contact USA

586 Fulling Mill Road

Middletown, PA 17057, United States

(+717) 944-1300

info@phoenixcon.com