

# Sensor/actuator cable - SAC-M12MR/1,5-PUR/2XA-1L-S/0,1



1572430

<https://www.phoenixcontact.com/us/products/1572430>

Please be informed that the data shown in this PDF document is generated from our Online Catalog. Please find the complete data in the user documentation. Our General Terms of Use for Downloads are valid.



Sensor/actuator cable, 3-position, PUR/PVC, black, Plug angled M12, coding: A, on Valve connector A, with 1 LED, connected with Z diode, cable length: 1.5 m

## Commercial Data

Item number	1572430
Packing unit	1 pc
Minimum order quantity	100 pc
Note	Made to Order (non-returnable)
Sales Key	B06
Product Key	BF1DJA
GTIN	4046356409834
Weight per Piece (including packing)	170 g
Weight per Piece (excluding packing)	170 g
Customs tariff number	85444290
Country of origin	PL

# Sensor/actuator cable - SAC-M12MR/1,5-PUR/2XA-1L-S/0,1



1572430

<https://www.phoenixcontact.com/us/products/1572430>

## Technical Data

### Product properties

Number of positions	3
No. of cable outlets	1
Shielded	no
Coding	A - standard

### Insulation characteristics

Overvoltage category	II
Degree of pollution	3

### Electrical properties

Contact resistance	≤ 5 mΩ
Insulation resistance	≥ 100 MΩ
Nominal voltage U <sub>N</sub>	24 V AC
	24 V DC
Nominal current I <sub>N</sub>	4 A
Protective circuit	Z diode

### LED signaling

Status display	1 LED
Status display present	yes

### Material specifications

Flammability rating according to UL 94	HB
Sealing material	TPU (Flat gasket valve plug)
Material housing valve plug	PBT
Material of grip body	TPU, hardly inflammable, self-extinguishing
Contact material	CuSn
Contact surface material	Ni/Au
Contact carrier material	TPU GF
Contact material	CuSn
Valve plug contact insert material	PBT
Contact surface material	Ag

### Connector

Insertion/withdrawal cycles	≥ 100
-----------------------------	-------

### Connection 1

Head design	Plug
Head cable outlet	angled
Head thread type	M12
Coding	A

# Sensor/actuator cable - SAC-M12MR/1,5-PUR/2XA-1L-S/0,1



1572430

<https://www.phoenixcontact.com/us/products/1572430>

## Connection 2

Head design	Valve connector
Head thread type	A
Status indicator head	1 LED

## Cable / line

Cable length	1.5 m
--------------	-------

PUR/PVC, 0.75 mm<sup>2</sup>, black [116]

UL AWM Style	20549
Number of positions	4
Shielded	no
Cable type	PUR/PVC, 0.75 mm <sup>2</sup> , black [116]
Conductor structure signal line	24x 0.20 mm
AWG signal line	18
Conductor cross section	4x 0.75 mm <sup>2</sup>
Wire diameter incl. insulation	1.7 mm ±0.05 mm
External cable diameter	6.3 mm ±0.2 mm
Outer sheath, material	PUR
External sheath, color	black
Conductor material	Bare Cu litz wires
Material wire insulation	PVC
Single wire, color	Black 1, black 2, black 3, green/yellow
Overall twist	4 wires, twisted
Max. conductor resistance	26 Ω/km (at 20 °C)
Insulation resistance	≥ 20 MΩ*km
Nominal voltage, cable	300 V
Test voltage	1200 V
Smallest bending radius, fixed installation	63 mm
Flame resistance	according to DIN VDE 0482 According to DIN EN 50265-2-1 in acc. with UL FT-2
Ambient temperature (operation)	-5 °C ... 80 °C (Cable, flexible installation) -40 °C ... 80 °C (cable, fixed installation)

## Environmental and real-life conditions

### Ambient conditions

Degree of protection	IP67
Ambient temperature (operation)	-25 °C ... 90 °C (Plug / socket) -20 °C ... 85 °C (valve plug) -30 °C ... 80 °C (cable, fixed installation) -5 °C ... 70 °C (Cable, flexible installation)

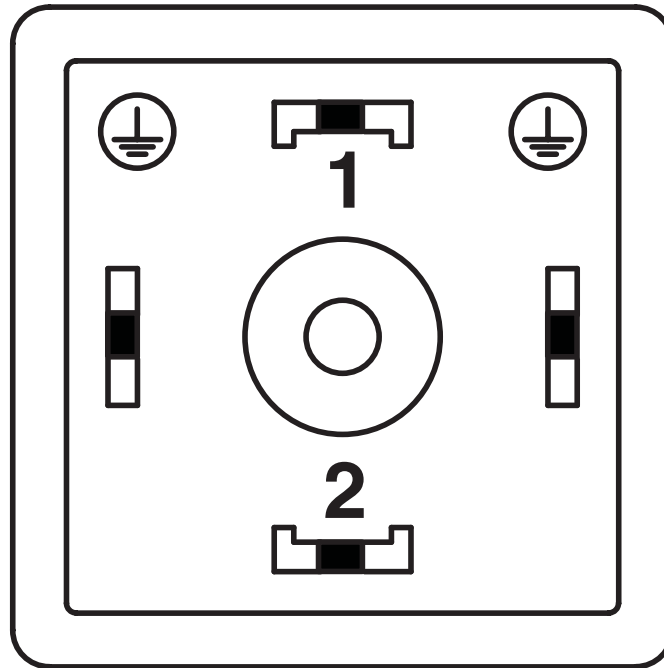
# Sensor/actuator cable - SAC-M12MR/1,5-PUR/2XA-1L-S/0,1

1572430

<https://www.phoenixcontact.com/us/products/1572430>

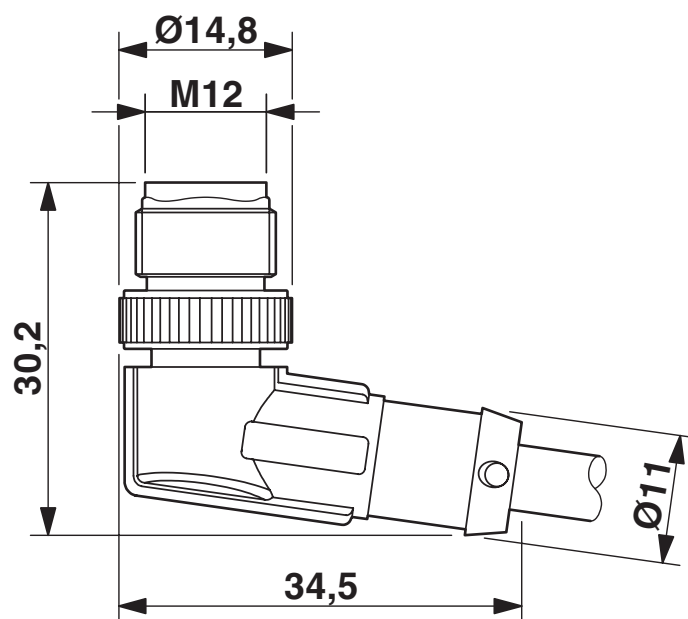
## Drawings

Schematic diagram



Valve connector pin assignment, type A

Dimensional drawing



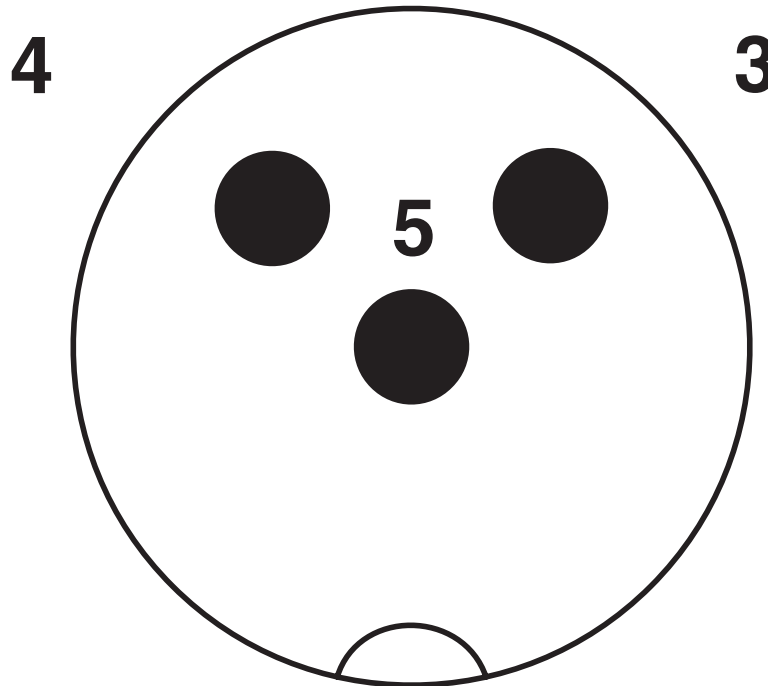
M12 x 1 male plug, angled

# Sensor/actuator cable - SAC-M12MR/1,5-PUR/2XA-1L-S/0,1

1572430

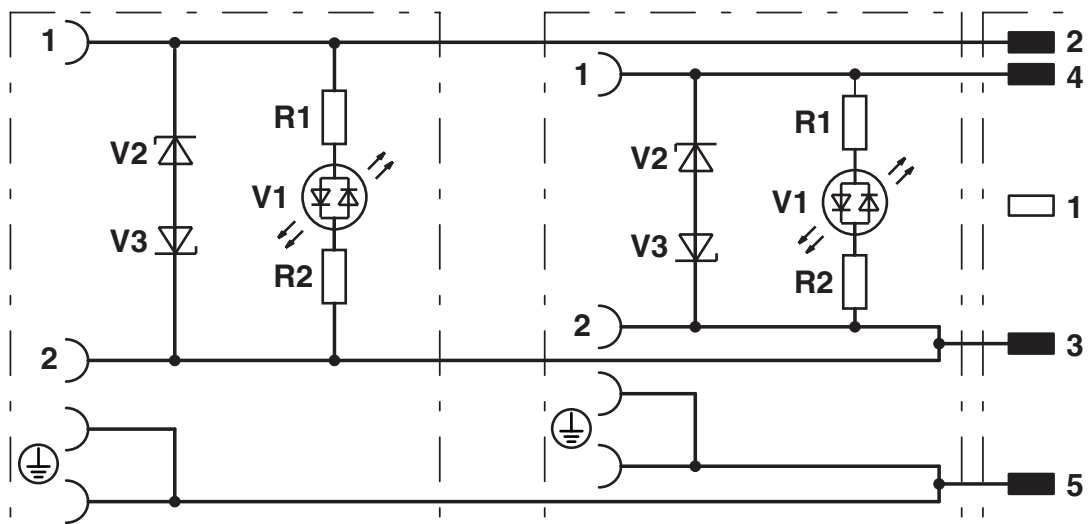
<https://www.phoenixcontact.com/us/products/1572430>

Schematic diagram



Pin assignment M12 plug, 3-pos., valve connector

Circuit diagram

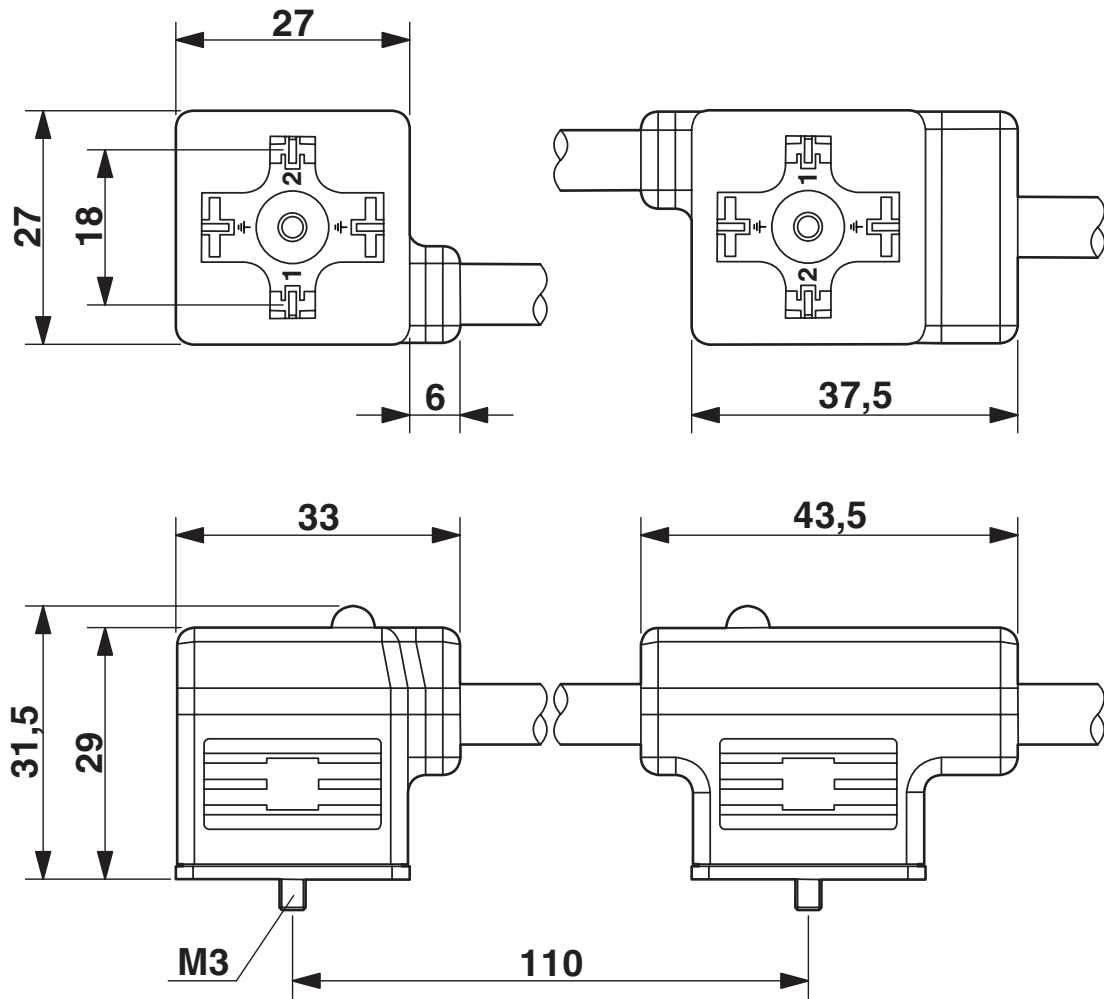


# Sensor/actuator cable - SAC-M12MR/1,5-PUR/2XA-1L-S/0,1

1572430

<https://www.phoenixcontact.com/us/products/1572430>

Dimensional drawing



# Sensor/actuator cable - SAC-M12MR/1,5-PUR/2XA-1L-S/0,1



1572430

<https://www.phoenixcontact.com/us/products/1572430>

## Classifications

### ECLASS

ECLASS-9.0	27060311
ECLASS-10.0.1	27060311
ECLASS-11.0	27060312

### ETIM

ETIM 7.0	EC001855
----------	----------

### UNSPSC

UNSPSC 21.0	31251501
-------------	----------

# Sensor/actuator cable - SAC-M12MR/1,5-PUR/2XA-1L-S/0,1



1572430

<https://www.phoenixcontact.com/us/products/1572430>

## Environmental Product Compliance

China RoHS	Environmentally Friendly Use Period = 50 years For information on hazardous substances, refer to the manufacturer's declaration available under "Downloads"
------------	--

Phoenix Contact 2022 © - all rights reserved  
<https://www.phoenixcontact.com>

Phoenix Contact USA  
586 Fulling Mill Road  
Middletown, PA 17057, United States  
(+717) 944-1300  
[info@phoenixcon.com](mailto:info@phoenixcon.com)