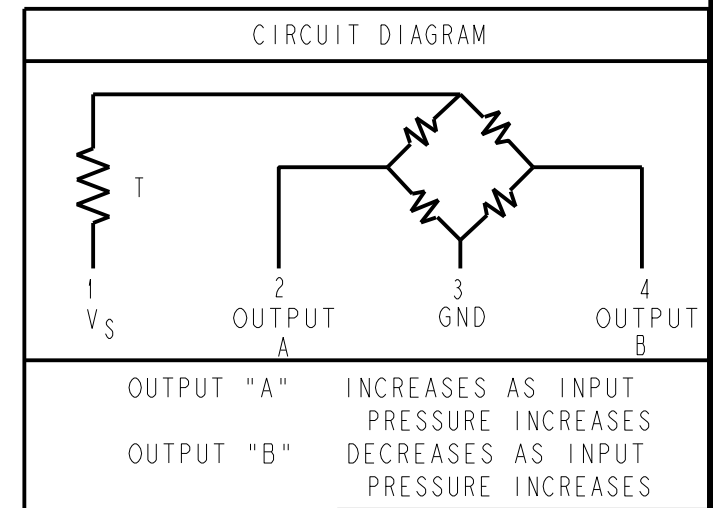
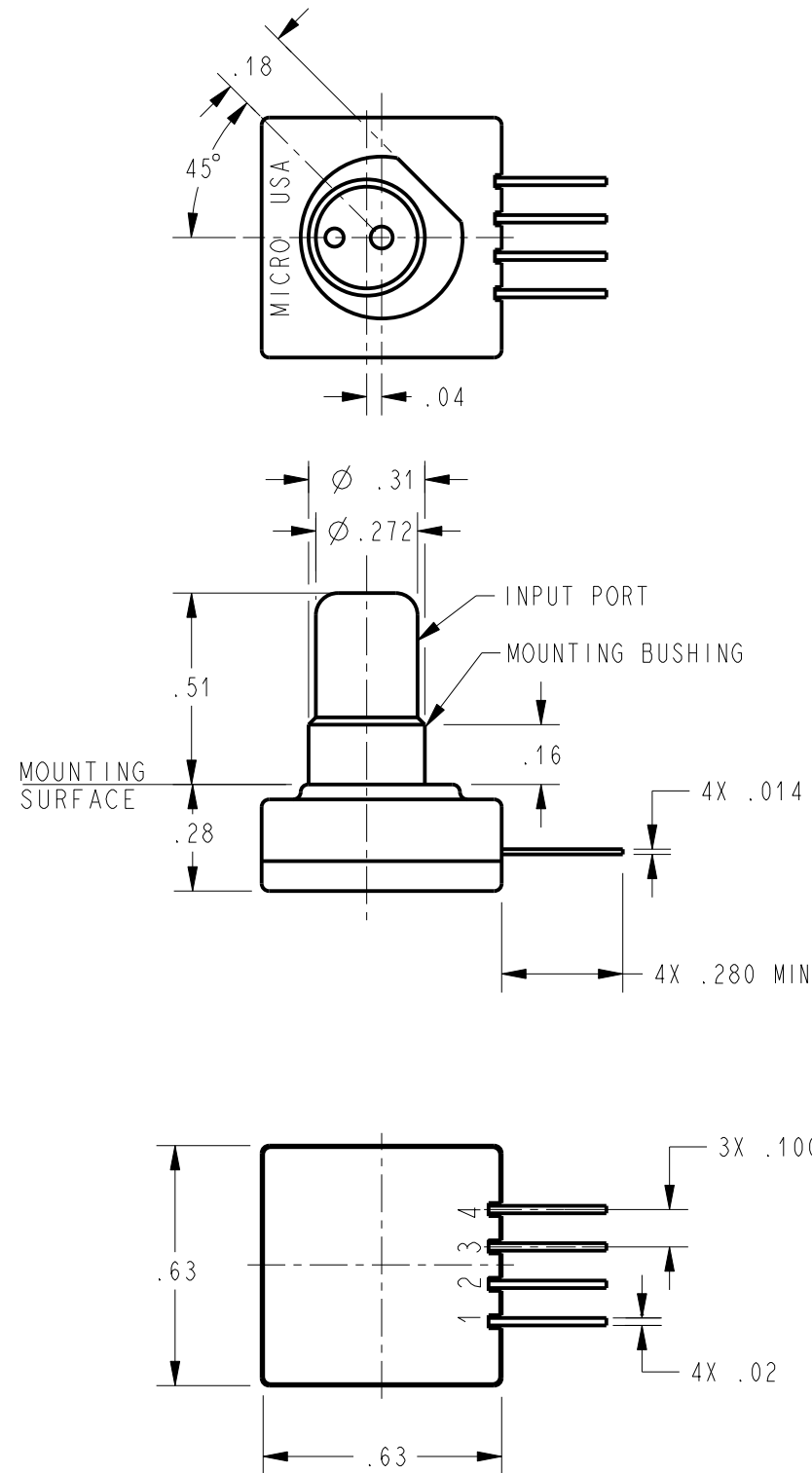


**GENERAL OPERATING CHARACTERISTICS**

PRESSURE RANGE	0 TO 775 mmHg (0 TO 15 PSIA)
OVERPRESSURE	2325 mmHg (45 PSIA)
TEMPERATURE RANGES	
STORAGE	-55° C TO +125° C
OPERATE	-40° C TO +85° C
COMPENSATED	0° C TO +50° C
SUPPLY VOLTAGE	16 VDC MAX
INPUT RESISTANCE	6800 OHM TYP

ELECTRICAL PERFORMANCE @ 25° C AND 10.00 ± .01 VDC SUPPLY

OUTPUT VOLTAGE	
NULL (0 PSIA)	.000 mV TYP
REFERENCE (2 PSIA)	-13.3 ± 2 mV
FULL SCALE (15 PSIA)	-100.0 VDC TYP
SPAN (2 TO 15 PSIA)	-86.7 ± 2.5 mV
SENSITIVITY	6.7 mV/PSI TYP
LINEARITY (B.F.S.L.)	.12% SPAN MAX
HYSTERESIS & REPEATABILITY	.17% SPAN TYP
TEMPERATURE ERROR (0° C TO +50° C)	
NULL SHIFT	4.0 mV MAX
SPAN SHIFT	3.46% SPAN MAX



THIRD ANGLE PROJECTION

SCALE 2 : 1

DO NOT SCALE PRINT

UNLESS OTHERWISE SPECIFIED TOLERANCES ARE

ONE PLACE	(.0)	±.030
TWO PLACE	(.00)	±.015
THREE PLACE	(.000)	±.005
ANGLES		±

WEIGHT

**NOTES**

- 1 - TERMINALS ARE PLATED FOR SOLDERING
- 2 - LIMIT SOLDERING TO 315° C MAX FOR 10 SECONDS MAX
- 3 - INPUT MEDIA DRY GASES ONLY; CONNECTION SIDE OF SENSOR

PTC/CAD 2D  
 DRAWN TSM 18DEC02  
 CHECK SAV 18DEC02  
 CHECK 18DEC02  
 REVISIONS  
 A 207062 TSM 18DEC02  
 B 0000791 C S L 7 JUL 03  
 ISSUE 3  
 M  
 CATALOG LISTING  
 136PC15A2  
 PAGE 1 OF 1  
 RELEASE NO. CO-77378  
 REPLACES -

# Mouser Electronics

Authorized Distributor

Click to View Pricing, Inventory, Delivery & Lifecycle Information:

[Honeywell:](#)

[136PC15A2](#)