

# Temperature measuring transducer - MCR-T-UI-E-NC



2814126

<https://www.phoenixcontact.com/us/products/2814126>

Please be informed that the data shown in this PDF document is generated from our Online Catalog. Please find the complete data in the user documentation. Our General Terms of Use for Downloads are valid.



MCR-T module, programmable temperature transducer, unconfigured, for thermocouple sensors and resistance temperature detectors, in 2-, 3- or 4-conductor technology, with electrical isolation between input/output and input/auxiliary power

## Your advantages

- Freely programmable via MCR/PI-CONF-WIN
- With transistor switching output
- Measure differential temperatures
- Inverse output signal ranges as an option
- For resistance thermometers and thermocouples

## Commercial Data

Item number	2814126
Packing unit	1 pc
Minimum order quantity	1 pc
Note	Made to Order (non-returnable)
Sales Key	C01
Product Key	CK1821
Catalog Page	Page 136 (C-7-2013)
GTIN	4017918139445
Weight per Piece (including packing)	146.7 g
Weight per Piece (excluding packing)	124.7 g
Customs tariff number	85437090
Country of origin	DE

## Technical Data

### Notes

#### Utilization restriction

EMC note	EMC: class A product, see manufacturer's declaration in the download area
----------	---

### Product properties

Product type	Temperature transmitter
--------------	-------------------------

### Electrical properties

Typical cold point errors	1.5 K
Cold point error, max.	≤ 3 K
Maximum power dissipation for nominal condition	1.51 W
Test voltage input/output	1 kV AC (50 Hz, 60 s)
Test voltage input/power supply	1 kV AC (50 Hz, 60 s)
Maximum temperature coefficient	≤ 0.01 %/K
Temperature coefficient, typical	0.005 %/K
Maximum transmission error	≤ 0.1 % (of maximum range, ±6 mV or ±12 µA at output)

### Supply

Supply voltage range	18 V DC ... 30 V DC
Typical current consumption	40 mA
Max. current consumption	≤ 60 mA

### Input data

#### Signal:

Input signal	Temperature
--------------	-------------

#### Measurement

Configurable/programmable	Yes, unconfigured
Sensor types (RTD) that can be used	Pt, Ni, Cu sensors
Sensor types that can be used (TC)	U, T, L, J, E, K, N, S, R, B, C, W, HK
Temperature measuring range	Depending on sensor type used
Temperature measuring range	min. 20 K (RTD, excluding CU10 - 100 K)
Temperature measuring range	min. 50 K (TC, except type B 100 K)
Sensor type:	-200 °C ... 850 °C (freely adjustable)
	-60 °C ... 180 °C (freely adjustable)
	-70 °C ... 500 °C (freely adjustable)
	-50 °C ... 160 °C (freely adjustable)
	-50 °C ... 200 °C (freely adjustable)
	-50 °C ... 180 °C (freely adjustable)
	-55 °C ... 150 °C (freely adjustable)
	-200 °C ... 600 °C (freely adjustable)

# Temperature measuring transducer - MCR-T-UI-E-NC



2814126

<https://www.phoenixcontact.com/us/products/2814126>

	-200 °C ... 400 °C (freely adjustable)
	-200 °C ... 900 °C (freely adjustable)
	-210 °C ... 1200 °C (freely adjustable)
	-226 °C ... 1000 °C (freely adjustable)
	-200 °C ... 1372 °C (freely adjustable)
	-200 °C ... 1300 °C (freely adjustable)
	-50 °C ... 1760 °C (freely adjustable)
	-50 °C ... 1760 °C (freely adjustable)
	500 °C ... 1820 °C (freely adjustable)
	-18 °C ... 2316 °C (freely adjustable)
	-18 °C ... 2316 °C (freely adjustable)
	-200 °C ... 800 °C (freely adjustable)
	-200 °C ... 850 °C (freely adjustable)
	-200 °C ... 850 °C (freely adjustable)
	-200 °C ... 850 °C (freely adjustable)
	-200 °C ... 850 °C (freely adjustable)
	-60 °C ... 180 °C (freely adjustable)
	-60 °C ... 180 °C (freely adjustable)
	-60 °C ... 180 °C (freely adjustable)
	-60 °C ... 180 °C (freely adjustable)
Sensor input current	250 µA (resistance thermometer)
Linear resistance measuring range	0 Ω ... 8000 Ω (freely adjustable, min. measuring range 100 Ω)
Linear mV signal range	-20 mV ... 2400 mV (freely adjustable, minimum measuring range span of 10 mV)
Connection technology	2-, 3-, 4-conductor
Connection method	Pluggable screw connection
Protective circuit	Transient protection
	Surge protection 30 V DC

## Output data

### Frequency:

Configurable/programmable	no
---------------------------	----

### Switching: Transistor

Output description	Can carry a load of 100 mA, switches supply voltage (not protected against short-circuit); locked in case of order-specific configuration, otherwise freely programmable through MCR/PI-CONF-WIN
Continuous load current	100 mA
Output voltage range	18 V DC ... 30 V DC (switches supply voltage, not short-circuit resistant)

### Signal:

Configurable/programmable	Yes, unconfigured
Voltage output signal	0 V ... 5 V
	0 V ... 10 V

# Temperature measuring transducer - MCR-T-UI-E-NC



2814126

<https://www.phoenixcontact.com/us/products/2814126>

	-5 V ... 5 V
	-10 V ... 10 V
	10 V ... 0 V
	5 V ... 0 V
	10 V ... -10 V
	5 V ... -5 V
	1 V ... 5 V
Max. voltage output signal	± 12 V
Current output signal	0 mA ... 20 mA
	4 mA ... 20 mA
	20 mA ... 0 mA
	20 mA ... 4 mA
Max. current output signal	24 mA
Output voltage range with wire break	-12 V ... 12 V
Output voltage range with overrange/underrange	-12 V ... 12 V
Output current range with wire break	0 A ... 24 mA
Output current range with overrange/underrange	0 A ... 24 mA
Load/output load voltage output	≥ 10 kΩ
Load/output load current output	≤ 500 Ω
Ripple	< 20 mV <sub>PP</sub>
Protective circuit	Transient protection
D/A converter resolution	± 12 bit

## Connection data

Connection method	Pluggable screw connection
Stripping length	8 mm
Screw thread	M3
Conductor cross section solid	0.2 mm <sup>2</sup> ... 2.5 mm <sup>2</sup>
Conductor cross section flexible	0.2 mm <sup>2</sup> ... 2.5 mm <sup>2</sup>
Conductor cross section AWG	24 ... 14

## Dimensions

Dimensional drawing	
Width	17.5 mm
Height	99 mm
Depth	114.5 mm

## Material specifications

# Temperature measuring transducer - MCR-T-UI-E-NC



2814126

<https://www.phoenixcontact.com/us/products/2814126>

Housing material	Polyamide PA non-reinforced
------------------	-----------------------------

## Environmental and real-life conditions

### Ambient conditions

Ambient temperature (operation)	-20 °C ... 65 °C
---------------------------------	------------------

## Approval data

### CE

Certificate	CE-compliant
-------------	--------------

### UL, USA / Canada

Identification	Class I, Div. 2, Groups A, B, C, D or Non-Hazardous Locations
----------------	---

### GL

Identification	DNV GL
----------------	--------

## Mounting

Mounting type	DIN rail mounting
Mounting position	any

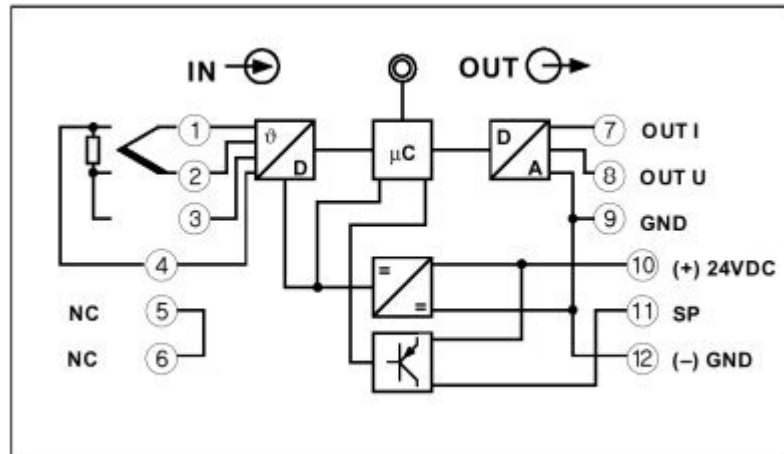
# Temperature measuring transducer - MCR-T-UI-E-NC

2814126

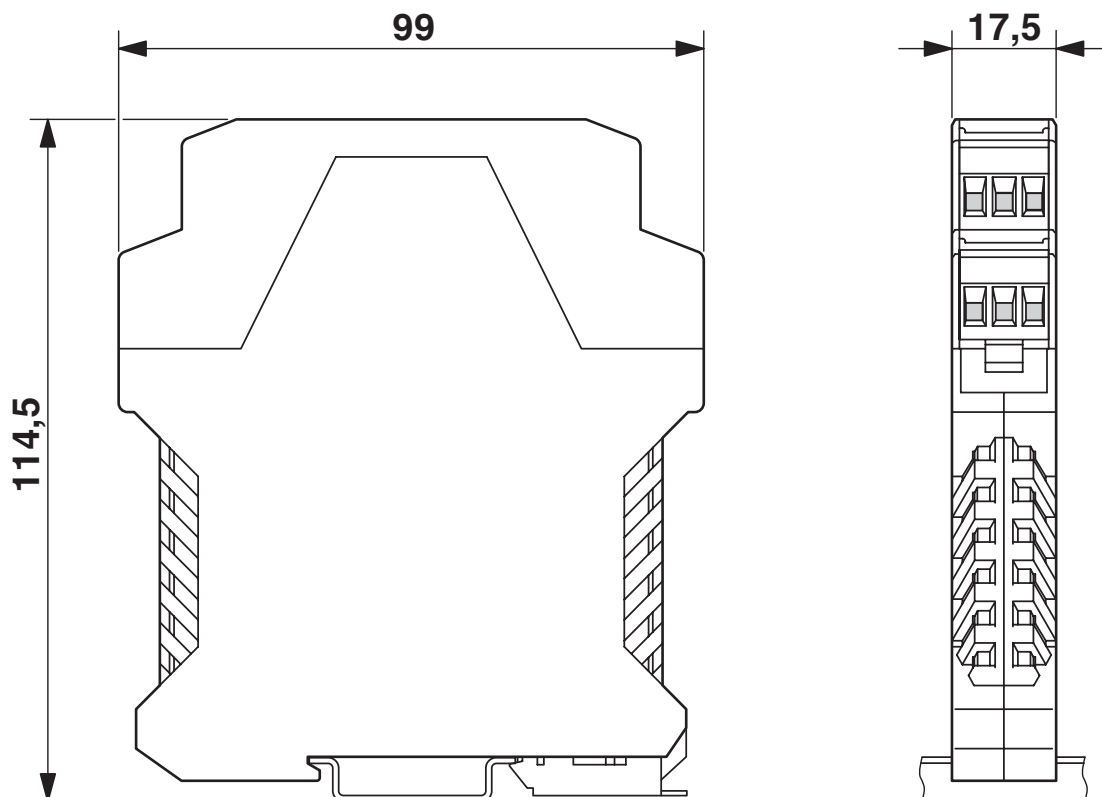
<https://www.phoenixcontact.com/us/products/2814126>

## Drawings

Circuit diagram



Dimensional drawing



# Temperature measuring transducer - MCR-T-UI-E-NC



2814126

<https://www.phoenixcontact.com/us/products/2814126>

## Classifications

### ECLASS

ECLASS-9.0	27210129
ECLASS-10.0.1	27210129
ECLASS-11.0	27210129

# Temperature measuring transducer - MCR-T-UI-E-NC



2814126

<https://www.phoenixcontact.com/us/products/2814126>

## Environmental Product Compliance

China RoHS	Environmentally Friendly Use Period = 50 years For information on hazardous substances, refer to the manufacturer's declaration available under "Downloads"
------------	--



# Temperature measuring transducer - MCR-T-UI-E-NC



2814126

<https://www.phoenixcontact.com/us/products/2814126>

## Accessories

### Adapter cable

Adapter cable - MCR-TTL-RS232-E - 2814388

<https://www.phoenixcontact.com/us/products/2814388>

Software adapter cable (Stereo jack connector/D-SUB 25-pos.), 1.2 m length, for programming MCR-T-..., MCR-S-... and MCR-f-... modules



---

## Cable

Cable - CM-KBL-RS232/USB - 2881078

<https://www.phoenixcontact.com/us/products/2881078>

Connecting cable D-9-SUB to USB, with adapter D-9-SUB to D-25-SUB.



Phoenix Contact 2022 © - all rights reserved

<https://www.phoenixcontact.com>

Phoenix Contact USA  
586 Fulling Mill Road  
Middletown, PA 17057, United States  
(+717) 944-1300  
[info@phoenixcon.com](mailto:info@phoenixcon.com)