



AK09915D

3-axis Electronic Compass

1. General Description

AK09915D is 3-axis electronic compass IC with high sensitive Hall sensor technology.

Small package of AK09915D incorporates magnetic sensors for detecting terrestrial magnetism in the X-axis, Y-axis, and Z-axis, a sensor driving circuit, signal amplifier chain, and an arithmetic circuit for processing the signal from each sensor. Self-test function is also incorporated. From its compact foot print and thin package feature, it is suitable for map heading up purpose in GPS-equipped smart phone and tablet to realize pedestrian navigation function.

2. Features

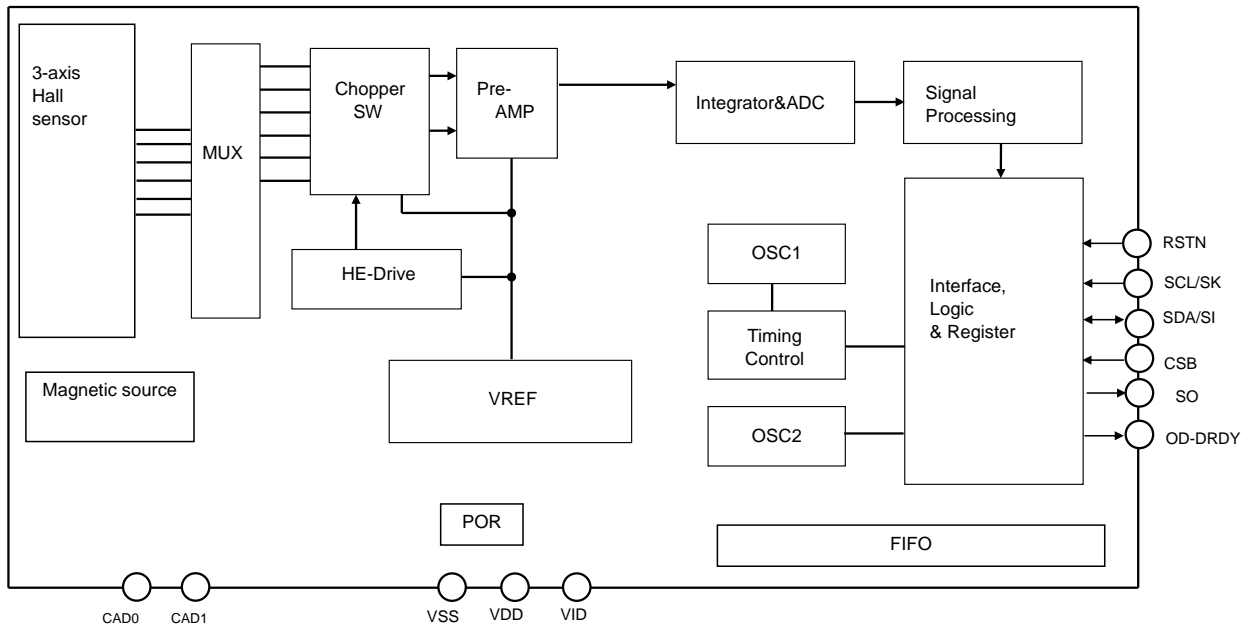
- Functions:
 - 3-axis magnetometer device suitable for compass application
 - Built-in A to D Converter for magnetometer data out
 - 16-bit data out for each 3-axis magnetic component
 - Sensitivity: 0.15 μ T/LSB (typ.)
 - Serial interface
 - I²C bus interface
Standard, Fast and High-speed modes (up to 2.5 MHz) compliant with Philips I²C specification Ver.2.1
 - 4-wire SPI
 - Operation mode
 - Power-down, Single measurement, Continuous measurement and Self-test
 - Open Drain DRDY function for measurement data ready
 - Magnetic sensor overflow monitor function
 - Built-in oscillator for internal clock source
 - Power on Reset circuit
 - Self-test function with internal magnetic source
 - Built-in Noise Suppression Filter (NSF)
 - Selectable sensor drive
 - Low power drive / Low noise drive
 - Built-in magnetic sensitivity adjustment circuit
 - 32 FIFO data buffer
- Operating temperatures:
 - -30°C to +85°C
- Operating supply voltage:
 - Analog power supply +1.7V to +3.6V
 - Digital Interface supply +1.65V to analog power supply voltage
- Current consumption:
 - Power-down: 3 μ A (typ.)
 - Measurement:
 - Average current consumption at 100 Hz repetition rate
 - ✧ Low power drive: 0.9 mA (typ.)
 - ✧ Low noise drive: 1.8 mA (typ.)
- Package:
 - AK09915D 14-pin WL-CSP (BGA): 1.6 mm \times 1.6 mm \times 0.5 mm (typ.)

| |
|-----------------------------|
| 3. Table of Contents |
|-----------------------------|

| | | |
|----------|--|----|
| 1. | General Description | 1 |
| 2. | Features | 1 |
| 3. | Table of Contents | 2 |
| 4. | Block Diagram and Functions..... | 4 |
| 5. | Pin Configurations and Functions..... | 5 |
| 6. | Absolute Maximum Ratings..... | 6 |
| 7. | Recommended Operating Conditions | 6 |
| 8. | Electrical Characteristics | 6 |
| 8.1. | DC Characteristics | 6 |
| 8.2. | AC Characteristics | 7 |
| 8.3. | ODDRDY AC Characteristics | 8 |
| 8.4. | Analog Circuit Characteristics | 9 |
| 8.5. | 4-wire SPI..... | 10 |
| 8.6. | I ² C Bus Interface | 11 |
| 9. | Functional Descriptions | 14 |
| 9.1. | Power States | 14 |
| 9.2. | Reset Functions | 14 |
| 9.3. | Operation Modes..... | 15 |
| 9.4. | Description of Each Operation Mode | 16 |
| 9.4.1. | Power-down Mode | 16 |
| 9.4.2. | Single Measurement Mode..... | 16 |
| 9.4.3. | Continuous Measurement Mode 1, 2, 3, 4, 5 and 6..... | 17 |
| 9.4.4. | Self-test Mode | 20 |
| 9.5. | Noise Suppression Filter (NSF) | 20 |
| 9.6. | Sensor Drive Select | 20 |
| 9.7. | FIFO | 21 |
| 9.7.1. | Watermark | 21 |
| 10. | Serial Interface | 22 |
| 10.1. | 4-wire SPI..... | 22 |
| 10.1.1. | Writing Data | 22 |
| 10.1.2. | Reading Data | 23 |
| 10.2. | I ² C Bus Interface | 23 |
| 10.2.1. | Data Transfer | 23 |
| 10.2.2. | WRITE Instruction | 26 |
| 10.2.3. | READ Instruction | 26 |
| 10.2.4. | High-speed Mode (Hs-mode) | 28 |
| 11. | Registers..... | 29 |
| 11.1. | Description of Registers..... | 29 |
| 11.2. | Register Map | 30 |
| 11.3. | Detailed Description of Registers | 31 |
| 11.3.1. | WIA: Who I Am | 31 |
| 11.3.2. | RSV: Reserved | 31 |
| 11.3.3. | INFO: Information..... | 31 |
| 11.3.4. | ST1: Status 1 | 31 |
| 11.3.5. | HXL to HZH: Measurement magnetic data | 32 |
| 11.3.6. | TMPS: Dummy..... | 33 |
| 11.3.7. | ST2: Status 2 | 33 |
| 11.3.8. | CNTL1: Control 1 | 34 |
| 11.3.9. | CNTL2: Control 2 | 35 |
| 11.3.10. | CNTL3: Control 3 | 35 |
| 11.3.11. | TS1, TS2, TS3: Test | 36 |

| | |
|---|----|
| 11.3.12. I2CDIS: I ² C Disable | 36 |
| 11.3.13. TS4: Test | 36 |
| 11.3.14. ASAX,ASAY,ASAZ: Dummy | 36 |
| 11.3.15. TPH1,TPH2,RR,SYT,DT: Test..... | 37 |
| 12. Example of Recommended External Connection | 38 |
| 12.1. I ² C Bus Interface | 38 |
| 12.2. 4-wire SPI..... | 39 |
| 13. Package | 40 |
| 13.1. Marking | 40 |
| 13.2. Pin Assignment | 40 |
| 13.3. Outline Dimensions..... | 41 |
| 13.4. Recommended Foot Print Pattern | 41 |
| 14. Relationship between the Magnetic Field and Output Code | 42 |
| IMPORTANT NOTICE | 43 |

4. Block Diagram and Functions



| Block | Function |
|----------------------------|--|
| 3-axis Hall sensor | Monolithic Hall elements. |
| MUX | Multiplexer for selecting Hall elements. |
| Chopper SW | Performs chopping. |
| HE-Drive | Magnetic sensor drive circuit for constant-current driving of sensor. |
| Pre-AMP | Fixed-gain differential amplifier used to amplify the magnetic sensor signal. |
| Integrator & ADC | Integrates and amplifies pre-AMP output or T-sensor output and performs analog-to-digital conversion. |
| OSC1 | Generates an operating clock for sensor measurement. |
| OSC2 | Generates an operating periodic clock for sequencer. |
| POR | Power on Reset circuit. Generates reset signal on rising edge of VDD. |
| VREF | Generates reference voltage and current. |
| FIFO | The buffer is capable up to 32sets of data. |
| Interface Logic & Register | Exchanges data with an external CPU. ODDRDY pin indicates sensor measurement has ended and data is ready to be read. I ² C bus interface using two pins, namely, SCL and SDA. Standard, Fast and High-speed modes are supported. The low-voltage specification can be supported by applying 1.65V to the VID pin. 4-wire SPI is also supported by SK, SI, SO and CSB pins. 4-wire SPI works in VID pin voltage down to 1.65 V, too. |
| Signal Processing | Noise suppression function by the filtering process. Filtering process can be enabled or disabled. |
| Timing Control | Generates a timing signal required for internal operation from a clock generated by the OSC1. |
| Magnetic Source | Generates magnetic field for self-test of magnetic sensor. |

5. Pin Configurations and Functions

| Pin No. | Pin name | I/O | Power supply | Type | Function |
|---------|----------|-----|--------------|------------|---|
| A1 | ODDRDY | O | VID | Open Drain | Open Drain Data Ready output pin. “L” active. Informs measurement ended and data is ready to be read. Connect to VID on contact with pull-up resistor. Do not apply more than VID voltage to ODDRDY pin. |
| A2 | CSB | I | VID | CMOS | Chip select pin for 4-wire SPI. “L” active. Connect to VID when selecting I ² C bus interface. |
| A3 | SCL | I | VID | CMOS | When the I ² C bus interface is selected (CSB pin is connected to VID). SCL: Control clock input pin Input: Schmitt trigger |
| | SK | | | | When the 4-wire SPI is selected. SK: Serial clock input pin. |
| A4 | SDA | I/O | VID | CMOS | When the I ² C bus interface is selected (CSB pin is connected to VID). SDA: Control data input/output pin Input: Schmitt trigger, Output: Open-drain |
| | SI | I | | | When the 4-wire SPI is selected. SI: Serial data input pin |
| B1 | VDD | - | - | Power | Positive power supply pin. |
| B3 | N/C | - | - | - | Non-connect Connect to VSS or keep this pin non-connected. |
| B4 | SO | O | VID | CMOS | When the I ² C bus interface is selected (CSB pin is connected to VID) Hi-Z output. Keep this pin electrically non-connected. |
| | | | | | When the 4-wire SPI is selected. Serial data output pin |
| C1 | VSS | - | - | Power | Ground pin |
| C2 | N/C | - | - | - | Non-connect Connect to VSS or keep this pin non-connected. |
| C3 | N/C | - | - | - | Non-connect Connect to VSS or keep this pin non-connected. |
| C4 | VID | - | - | Power | Digital interface positive power supply pin. |
| D1 | CAD0 | I | VDD | CMOS | When the I ² C bus interface is selected (CSB pin is connected to VID) CAD0:Slave address 0 input pin Connect to VSS or VDD. |
| | | | | | When the 4-wire serial interface is selected. Connect to VSS. |
| D2 | CAD1 | I | VDD | CMOS | When the I ² C bus interface is selected (CSB pin is connected to VID). CAD1:Slave address 1 input pin Connect to VSS or VDD. |
| | | | | | When the 4-wire serial interface is selected. Connect to VSS. |
| D4 | RSTN | I | VID | CMOS | Reset pin. Resets registers by setting to “L”. Connect to VID when not in use. |

6. Absolute Maximum Ratings

V_{SS} = 0V

| Parameter | Symbol | Min. | Max. | Unit |
|--|-----------------|------|-----------------------|------|
| Power supply voltage (V _{DD} , V _{ID}) | V+ | -0.3 | +4.3 | V |
| Input voltage (except for power supply pin) | V _{IN} | -0.3 | (V ₊)+0.3 | V |
| Input current (except for power supply pin) | I _{IN} | - | ±10 | mA |
| Storage temperature | T _{st} | -40 | +125 | °C |

If the device is used in conditions exceeding these values, the device may be destroyed. Normal operations are not guaranteed in such exceeding conditions.

7. Recommended Operating Conditions

V_{SS} = 0V

| Parameter | Remark | Symbol | Min. | Typ. | Max. | Unit |
|-----------------------|-----------------------------|-----------------|------|------|-----------------|------|
| Operating temperature | | T _a | -30 | | +85 | °C |
| Power supply voltage | V _{DD} pin voltage | V _{DD} | 1.7 | 3.0 | 3.6 | V |
| | V _{ID} pin voltage | V _{ID} | 1.65 | | V _{DD} | V |

8. Electrical Characteristics

The following conditions apply unless otherwise noted:

V_{DD} = 1.7V to 3.6V, V_{ID} = 1.65V to V_{DD}, Temperature range = -30 °C to +85 °C

8.1. DC Characteristics

| Parameter | Symbol | Pin | Condition | Min. | Typ. | Max. | Unit |
|--|------------------|---------------------------------|--|---------------------|------|----------------------|------|
| High level input voltage 1 | V _{IH1} | CSB RSTN | | 70% V _{ID} | | | V |
| Low level input voltage 1 | V _{IL1} | | | | | 30% V _{ID} | V |
| High level input voltage 2 | V _{IH2} | SK/SCL | | 70% V _{ID} | | V _{ID} +0.3 | V |
| Low level input voltage 2 | V _{IL2} | SI/SDA | | -0.3V | | 30% V _{ID} | V |
| High level input voltage 3 | V _{IH3} | CAD0 CAD1 | | 70% V _{DD} | | | V |
| Low level input voltage 3 | V _{IL3} | | | | | 30% V _{DD} | V |
| Input current 1 | I _{IN1} | SK/SCL SI/SDA CSB RSTN | V _{in} = V _{SS} or V _{ID} | -10 | | +10 | μA |
| | | CAD0 CAD1 | V _{in} = V _{SS} or V _{DD} | -10 | | +10 | |
| Hysteresis input voltage (Note 1) | V _{HS} | SCL SDA | V _{ID} ≥ 2V | 5% V _{ID} | | | V |
| | | | V _{ID} < 2V | 10% V _{ID} | | | |
| High level output voltage 1 (Note 2) | V _{OH1} | SO | I _{OH} ≥ -100μA | 80% V _{ID} | | | V |
| Low level output voltage 1 (Note 2) | V _{OL1} | | I _{OL1} ≤ +100μA | | | 20% V _{ID} | V |
| Low level output voltage 2 (Note 2) (Note 3) | V _{OL2} | SDA | I _{OL2} ≤ +3mA V _{ID} ≥ 2V | | | 0.4 | V |
| | | | I _{OL2} ≤ +3mA V _{ID} < 2V | | | 20% V _{ID} | V |
| Low level output voltage 3 (Note 3) | V _{OL3} | OD- DRDY | I _{OL3} ≤ +300μA | | | 0.1 | V |

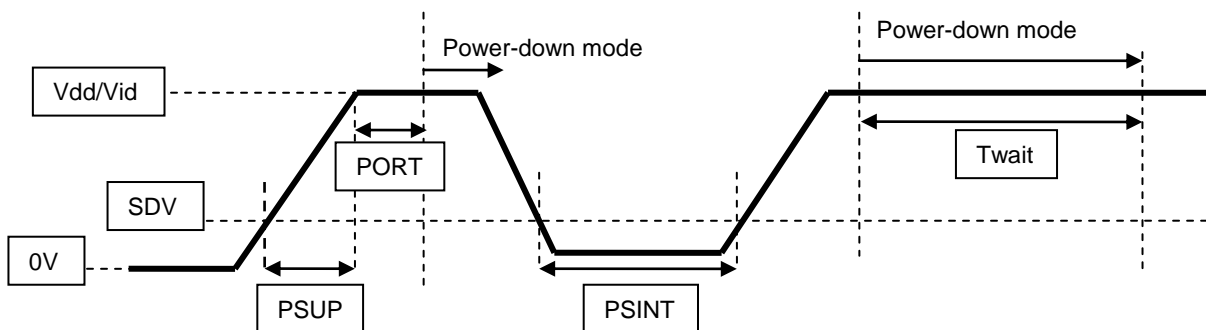
| Parameter | Symbol | Pin | Condition | Min. | Typ. | Max. | Unit |
|---------------------------------|--------|------------|-------------------------------------|------|------|------|------|
| Current consumption (Note 4) | IDD1 | VDD VID | Power-down mode Vdd = Vid = 3.0V | | 3 | 6 | μA |
| | IDD2 | | When magnetic sensor is driven | | 2.1 | 3.5 | mA |
| | IDD3 | | Self-test mode | | 3.2 | 4.7 | mA |
| | IDD4 | | (Note 5) | | 0.1 | 5 | μA |

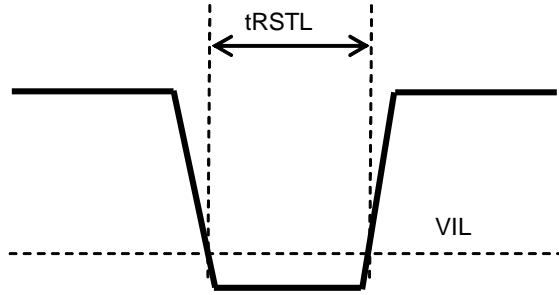
- (Note 1) Schmitt trigger input (reference value for design).
- (Note 2) IOH: High level output current. IOL1/IOL2: Low level output current.
- (Note 3) Output is open-drain. Connect to a pull-up resistor externally.
- (Note 4) Without any resistance load
- (Note 5) (case 1) Vdd = ON, Vid = ON, RSTN pin = “L”.
 (case 2) Vdd = ON, Vid = OFF (0V), RSTN pin = “L”.
 (case 3) Vdd = OFF (0V), Vid = ON.

8.2. AC Characteristics

| Parameter | Symbol | Pin | Condition | Min. | Typ. | Max. | Unit |
|---|--------|------------|--|------|------|------|------|
| Power supply rise time | PSUP | VDD VID | Period of time that VDD (VID) changes from 0.2V to Vdd (Vid). | | | 50 | ms |
| POR completion time (Note 6) | PORT | | Period of time after PSUP to Power-down mode (Note 7) | | | 100 | μs |
| Power supply turn off voltage (Note 6) | SDV | VDD VID | Turn off voltage to enable POR to restart (Note 7) | | | 0.2 | V |
| Power supply turn on interval (Note 6) | PSINT | VDD VID | Period of time that voltage lower than SDV needed to be kept to enable POR to restart (Note 7) | 100 | | | μs |
| Wait time before mode setting | Twait | | | 100 | | | μs |
| Reset input effective pulse width (“L”) | tRSTL | RSTN | | 5 | | | μs |

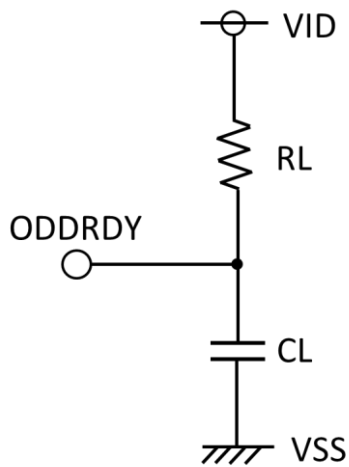
- (Note 6) Reference value for design.
- (Note 7) When POR circuit detects the rise of VDD/VID voltage, it resets internal circuits and initializes the registers. After reset, AK09915D transits to Power-down mode.



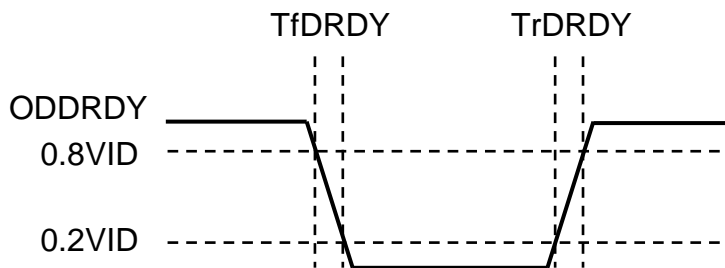


8.3. ODDRDY AC Characteristics

| Parameter | Symbol | Pin | Condition | Min. | Typ. | Max. | Unit |
|------------------|-------------|--------|---|------|------|------|---------------|
| ODDRDY fall time | T_{fDRDY} | ODDRDY | $CL = 50 \text{ pF}, RL = 16 \text{ k}\Omega$ | | | 250 | ns |
| ODDRDY rise time | T_{rDRDY} | ODDRDY | $CL = 50 \text{ pF}, RL = 24 \text{ k}\Omega$ | | | 2 | μs |



[Rise time and fall time]



8.4. Analog Circuit Characteristics

| Parameter | Symbol | Condition | Min. | Typ. | Max. | Unit |
|--|--------|---|--------|-------|--------|--------|
| Measurement data output bit | DBIT | | - | 16 | - | bit |
| Time for measurement | TSM | Single measurement mode SDR bit = "0" (refer to 9.6) | | 4.5 | | ms |
| | | SDR bit = "1" (refer to 9.6) | | 8.5 | | |
| Magnetic sensor sensitivity | BSE | Ta = 25 °C | 0.1425 | 0.15 | 0.1575 | μT/LSB |
| Magnetic sensor measurement range (Note 8) | BRG | Ta = 25 °C | ±4670 | ±4912 | ±5160 | μT |
| Magnetic sensor initial offset (Note 9) | | Ta = 25 °C | -2000 | | +2000 | LSB |

(Note 8) Reference value for design.

(Note 9) Value of measurement data register on shipment test without applying magnetic field on purpose.

8.5. 4-wire SPI

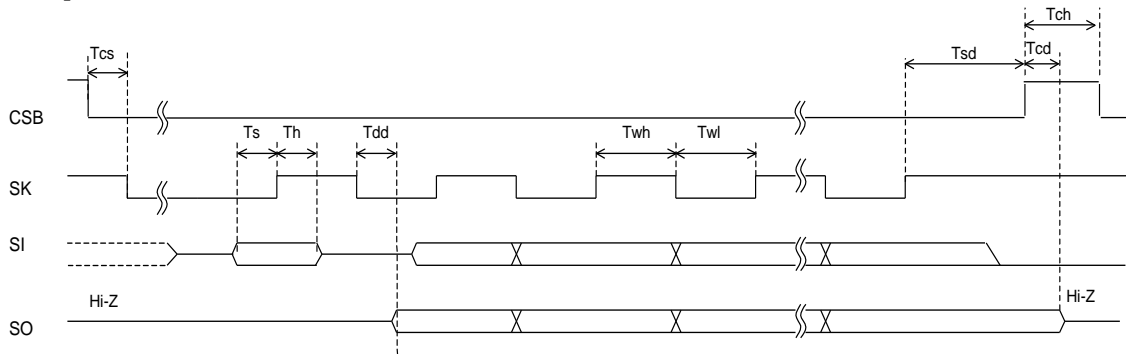
4-wire SPI is compliant with mode 3 (SPI-mode3).

| Parameter | Symbol | Min. | Typ. | Max. | Unit |
|-----------------------------------|--------|------|------|------|------|
| Clock Frequency | Fspi | | | 4 | MHz |
| CSB setup time | Tcs | 50 | | | ns |
| Data setup time | Ts | 50 | | | ns |
| Data hold time | Th | 50 | | | ns |
| SK high time | Twh | 100 | | | ns |
| SK low time | Twl | 100 | | | ns |
| SK setup time | Tsd | 50 | | | ns |
| SK to SO delay time (Note 10) | Tdd | | | 50 | ns |
| CSB to SO delay time (Note 10) | Tcd | | | 50 | ns |
| SK rise time (Note 11) | Tr | | | 100 | ns |
| SK fall time (Note 11) | Tf | | | 100 | ns |
| CSB high time | Tch | 150 | | | ns |

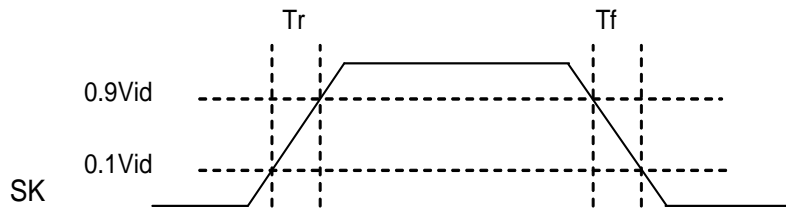
(Note 10) SO load capacitance: 20pF

(Note 11) Reference value for design.

[4-wire SPI]



[Rise time and fall time]



8.6. I²C Bus Interface

CSB pin = "H"

I²C bus interface is compliant with Standard mode, Fast mode and High-speed mode (Hs-mode).

Standard/Fast/Hs-mode is selected automatically by fSCL.

Standard mode

fSCL ≤ 100kHz

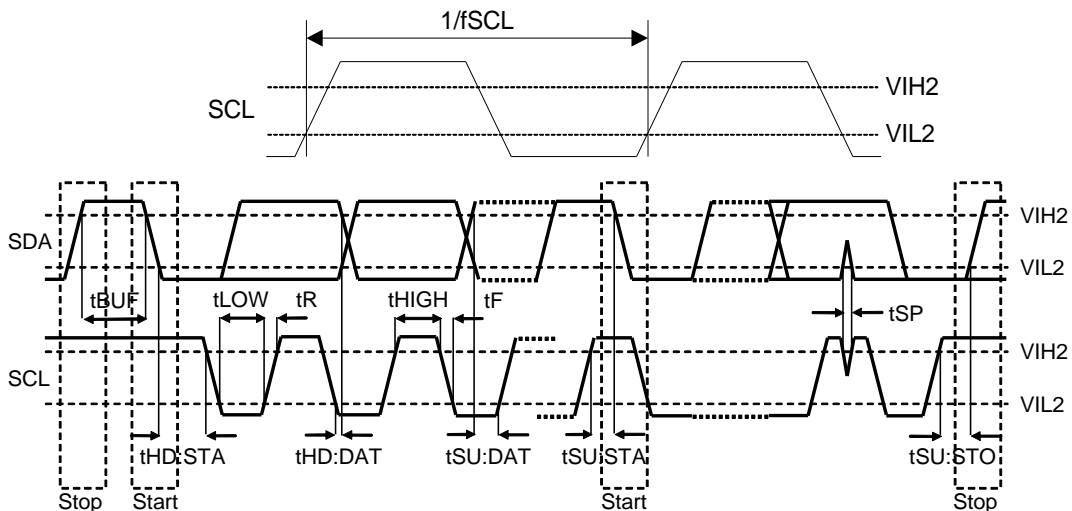
| Symbol | Parameter | Min. | Typ. | Max. | Unit |
|---------|--------------------------------------|------|------|------|------|
| fSCL | SCL clock frequency | | | 100 | kHz |
| tHIGH | SCL clock "High" time | 4.0 | | | μs |
| tLOW | SCL clock "Low" time | 4.7 | | | μs |
| tR | SDA and SCL rise time | | | 1.0 | μs |
| tF | SDA and SCL fall time | | | 0.3 | μs |
| tHD:STA | Start Condition hold time | 4.0 | | | μs |
| tSU:STA | Start Condition setup time | 4.7 | | | μs |
| tHD:DAT | SDA hold time (vs. SCL falling edge) | 0 | | | μs |
| tSU:DAT | SDA setup time (vs. SCL rising edge) | 250 | | | ns |
| tSU:STO | Stop Condition setup time | 4.0 | | | μs |
| tBUF | Bus free time | 4.7 | | | μs |

Fast mode

100kHz ≤ fSCL ≤ 400kHz

| Symbol | Parameter | Min. | Typ. | Max. | Unit |
|---------|--------------------------------------|------|------|------|------|
| fSCL | SCL clock frequency | | | 400 | kHz |
| tHIGH | SCL clock "High" time | 0.6 | | | μs |
| tLOW | SCL clock "Low" time | 1.3 | | | μs |
| tR | SDA and SCL rise time | | | 0.3 | μs |
| tF | SDA and SCL fall time | | | 0.3 | μs |
| tHD:STA | Start Condition hold time | 0.6 | | | μs |
| tSU:STA | Start Condition setup time | 0.6 | | | μs |
| tHD:DAT | SDA hold time (vs. SCL falling edge) | 0 | | | μs |
| tSU:DAT | SDA setup time (vs. SCL rising edge) | 100 | | | ns |
| tSU:STO | Stop Condition setup time | 0.6 | | | μs |
| tBUF | Bus free time | 1.3 | | | μs |
| tSP | Noise suppression pulse width | | | 50 | ns |

[I²C bus interface timing]



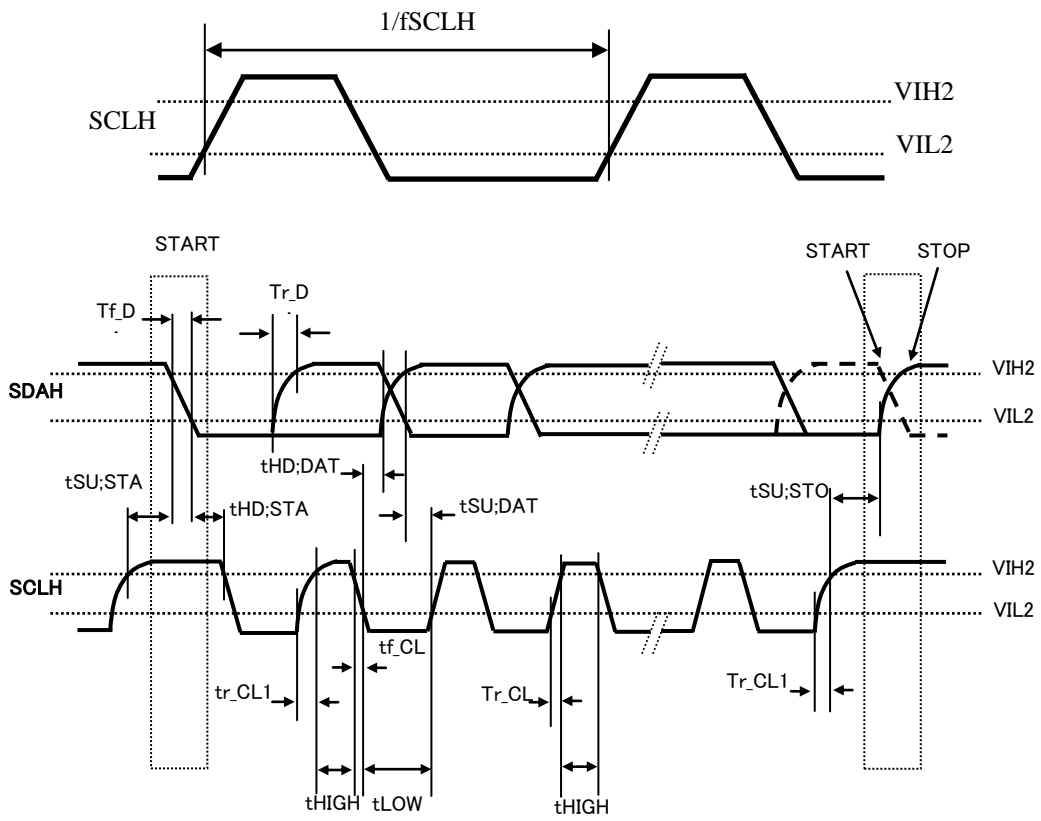
- High-speed mode (Hs-mode)
- $C_b \leq 100\text{pF}$ (C_b : load capacitance)
 - $f_{\text{SCLH}} \leq 2.5\text{MHz}$

| Symbol | Parameter | Min. | Typ. | Max. | Unit |
|---------|--|------|------|------|------|
| fSCLH | SCLH clock frequency | | | 2.5 | MHz |
| tHIGH | SCLH clock "High" time | 110 | | | ns |
| tLOW | SCLH clock "Low" time | 220 | | | ns |
| tR_CL | SCLH rise time | 10 | | 40 | ns |
| tR_CL1 | SCLH rise time after a repeated START condition and after an acknowledge bit | 10 | | 80 | ns |
| tR_DA | SDAH rise time | 10 | | 80 | ns |
| tF_CL | SCLH fall time | - | | 40 | ns |
| tF_DA | SDAH fall time | - | | 80 | ns |
| tHD:STA | Start Condition hold time | 160 | | | ns |
| tSU:STA | Start Condition setup time | 160 | | | ns |
| tHD:DAT | SDAH hold time (vs. SCLH falling edge) | 0 | | | ns |
| tSU:DAT | SDAH setup time (vs. SCLH rising edge) | 10 | | | ns |
| tSU:STO | Stop Condition setup time | 160 | | | ns |
| tSP | Noise suppression pulse width | | | 10 | ns |

- $C_b \leq 400\text{pF}$
- $f_{\text{SCLH}} \leq 1.7\text{MHz}$

| Symbol | Parameter | Min. | Typ. | Max. | Unit |
|---------|--|------|------|------|------|
| fSCLH | SCLH clock frequency | | | 1.7 | MHz |
| tHIGH | SCLH clock "High" time | 120 | | | ns |
| tLOW | SCLH clock "Low" time | 320 | | | ns |
| tR_CL | SCLH rise time | 20 | | 80 | ns |
| tR_CL1 | SCLH rise time after a repeated START condition and after an acknowledge bit | 20 | | 160 | ns |
| tR_DA | SDAH rise time | 20 | | 160 | ns |
| tF_CL | SCLH fall time | - | | 80 | ns |
| tF_DA | SDAH fall time | - | | 160 | ns |
| tHD:STA | Start Condition hold time | 160 | | | ns |
| tSU:STA | Start Condition setup time | 160 | | | ns |
| tHD:DAT | SDAH hold time (vs. SCLH falling edge) | 0 | | | ns |
| tSU:DAT | SDAH setup time (vs. SCLH rising edge) | 10 | | | ns |
| tSU:STO | Stop Condition setup time | 160 | | | ns |
| tSP | Noise suppression pulse width | | | 10 | ns |

[I²C bus interface timing of Hs-mode]



9. Functional Descriptions

9.1. Power States

When VDD and VID are turned on from Vdd = OFF (0V) and Vid = OFF (0V), all registers in AK09915D are initialized by POR circuit and AK09915D transits to Power-down mode.

All the states in the table below can be set, although the transition from state 2 to state 3 and the transition from state 3 to state 2 are prohibited.

Table 9.1 Power States

| State | VDD | VID | Power state |
|-------|--------------|---------------|--|
| 1 | OFF (0V) | OFF (0V) | OFF (0V). |
| 2 | OFF (0V) | 1.65V to 3.6V | It doesn't affect external interface. Digital pins other than SCL pin and SDA pin should be fixed to Power supply or "L" (0V). Refer to 5. |
| 3 | 1.7V to 3.6V | OFF (0V) | |
| 4 | 1.7V to 3.6V | 1.65V to Vdd | ON |

9.2. Reset Functions

When the power state is ON, always keep $Vid \leq Vdd$.

Power on Reset (POR) works until Vdd reaches to the operation effective voltage (about 1.1V: reference value for design) on power-on sequence.

When Vdd = 1.7 to 3.6V, POR circuit and VID monitor circuit are active. When Vid = 0V, AK09915D is in reset status and it consumes the current of reset state (IDD4).

AK09915D has four types of reset;

- (1) Power on Reset (POR)
When Vdd rise is detected, POR circuit operates, and AK09915D is reset.
- (2) VID monitor
When Vid is turned OFF (0V), AK09915D is reset.
- (3) Reset pin (RSTN)
AK09915D is reset by Reset pin. When Reset pin is not used, connect to VID.
- (4) Soft reset
AK09915D is reset by setting SRST bit.

After reset is completed, all registers and FIFO buffer are initialized and AK09915D transits to Power-down mode automatically.

9.3. Operation Modes

AK09915D has following nine operation modes:

- (1) Power-down mode
- (2) Single measurement mode
- (3) Continuous measurement mode 1
- (4) Continuous measurement mode 2
- (5) Continuous measurement mode 3
- (6) Continuous measurement mode 4
- (7) Continuous measurement mode 5
- (8) Continuous measurement mode 6
- (9) Self-test mode

By setting CNTL2 registers MODE[4:0] bits, the operation set for each mode is started. A transition from one mode to another is shown below.

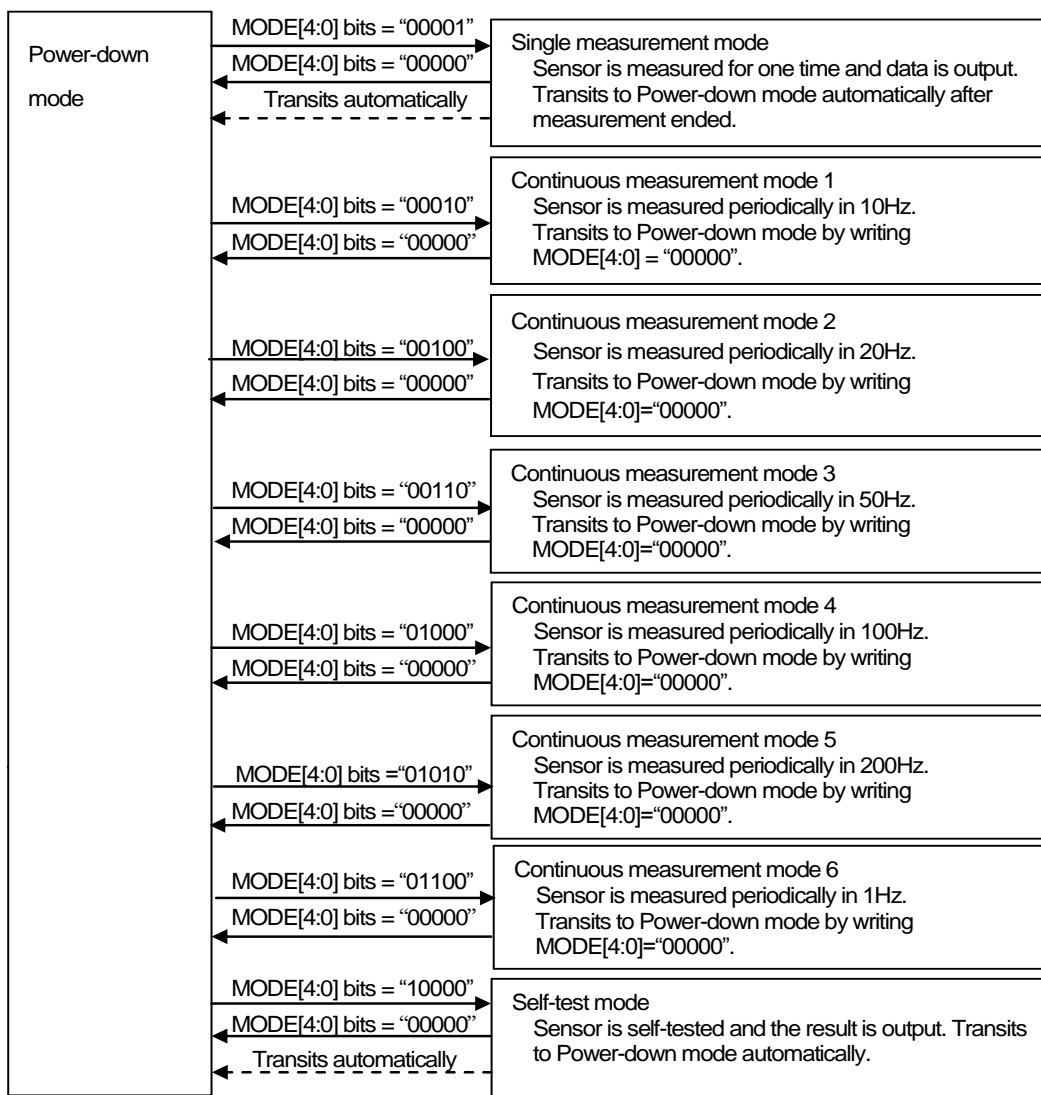


Figure 9.1 Operation mode

When power is turned ON, AK09915D is in Power-down mode. When a specified value is set to MODE[4:0] bits, AK09915D transits to the specified mode and starts operation. When user wants to change operation mode, transit to power-down mode first and then transit to other modes. After Power-down mode is set, at least 100 μs (Twait) is needed before setting another mode.

9.4. Description of Each Operation Mode

9.4.1. Power-down Mode

Power to almost all internal circuits is turned off. All registers are accessible in Power-down mode. Data stored in read/write registers are remained. They can be reset by soft reset.

9.4.2. Single Measurement Mode

When Single measurement mode (MODE[4:0] bits = “00001”) is set, magnetic sensor measurement is started. After magnetic sensor measurement and signal processing is finished, measurement magnetic data is stored to measurement data registers (HXL to HZH), then AK09915D transits to Power-down mode automatically. On transition to Power-down mode, MODE[4:0] bits turns to “00000”. At the same time, DRDY bit in ST1 register turns to “1”. This is called “Data Ready”. When any of measurement data registers (HXL to TMPS) or ST2 register is read, DRDY bit turns to “0”. It remains “1” on transition from Power-down mode to another mode. When DRDY bit turn to “1”, ODDRDY pin is “L”. When DRDY bit turn to “0”, ODDRDY pin is “H”. ODDRDY pin is low active.(Figure 9.2)

When sensor is measuring (Measurement period), measurement data registers (HXL to TMPS) keep the previous data. Therefore, it is possible to read out data even in measurement period. Data read out in measurement period are previous data. (Figure 9.3)

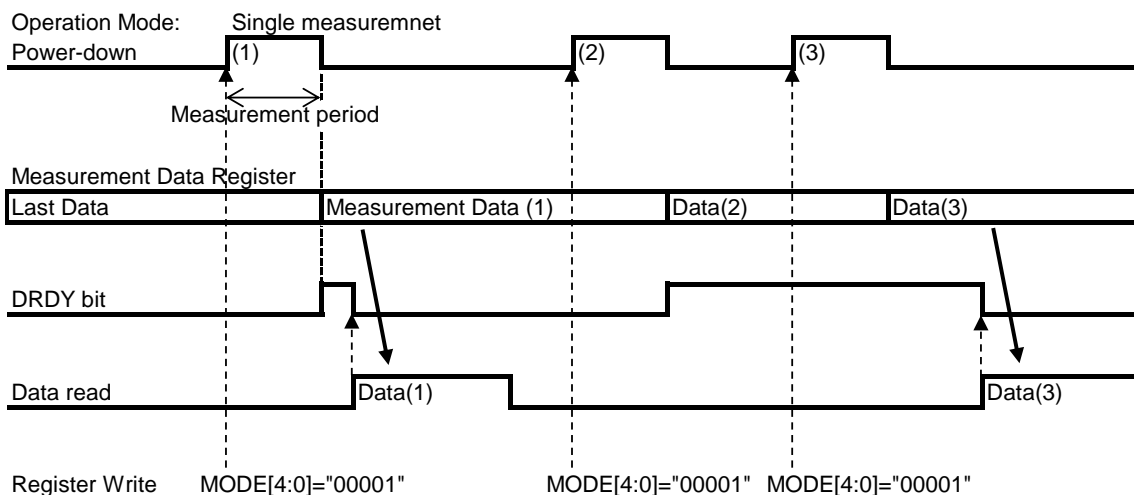


Figure 9.2 Single measurement mode when data is read out of measurement period

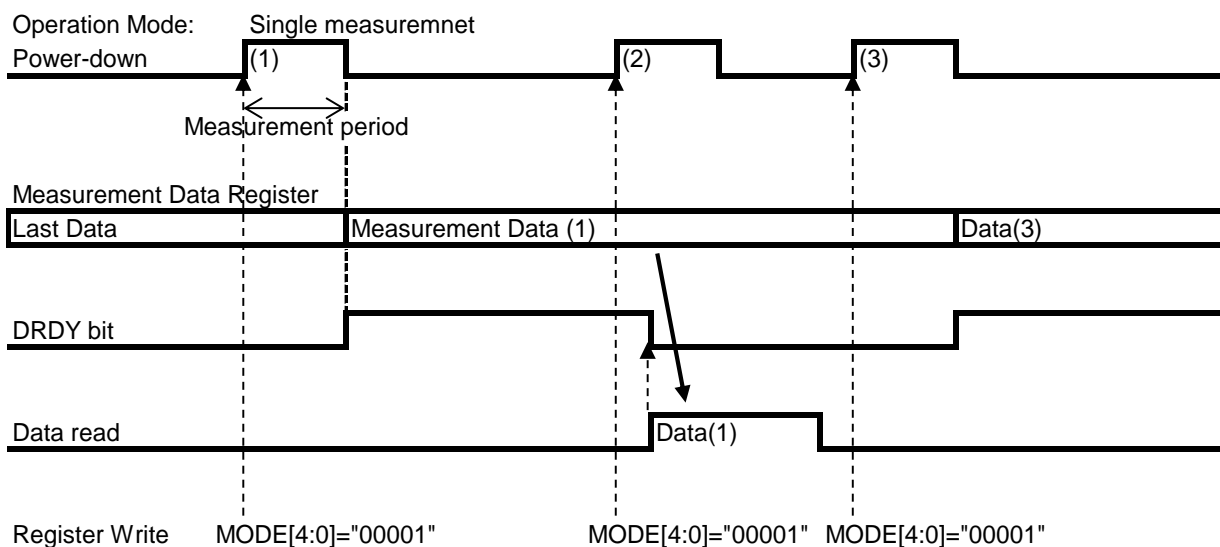


Figure 9.3 Single measurement mode when data read started during measurement period

9.4.3. Continuous Measurement Mode 1, 2, 3, 4, 5 and 6

When Continuous measurement modes (1 to 6) are set, magnetic sensor measurement is started periodically at 10 Hz, 20 Hz, 50 Hz, 100 Hz, 200 Hz and 1Hz respectively. After magnetic sensor measurement and signal processing is finished, measurement magnetic data is stored to measurement data registers (HXL to HZH) and all circuits except for the minimum circuit required for counting cycle length are turned off (PD). When the next measurement timing comes, AK09915D wakes up automatically from PD and starts measurement again. Continuous measurement mode ends when Power-down mode (MODE[4:0] bits = “00000”) is set. It repeats measurement until Power-down mode is set.

When Continuous measurement modes (1 to 6) are set again while AK09915D is already in Continuous measurement mode, a new measurement starts. ST1, ST2 and measurement data registers (HXL to TMPS) will not be initialized by this.

Table 9.2 Continuous measurement modes

| Operation mode | Register setting (MODE[4:0] bits) | Measurement frequency [Hz] |
|-------------------------------|-----------------------------------|----------------------------|
| Continuous measurement mode 1 | 00010 | 10 |
| Continuous measurement mode 2 | 00100 | 20 |
| Continuous measurement mode 3 | 00110 | 50 |
| Continuous measurement mode 4 | 01000 | 100 |
| Continuous measurement mode 5 | 01010 | 200 |
| Continuous measurement mode 6 | 01100 | 1 |

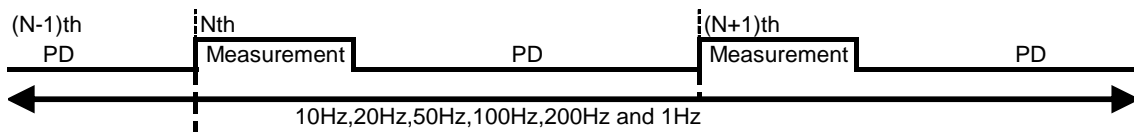


Figure 9.4 Continuous measurement mode

9.4.3.1. Data Ready

When measurement data is stored and ready to be read, DRDY bit in ST1 register turns to “1”. This is called “Data Ready”. When DRDY bit turn to “1”, ODDRDY pin is “L”. When DRDY bit turn to “0”, ODDRDY pin is “H”. ODDRDY pin is low active. When measurement is performed correctly, AK09915D becomes Data Ready on transition to PD after measurement.

9.4.3.2. Normal Read Sequence

(1) Check Data Ready or not by any of the following method.

 Polling DRDY bit of ST1 register

 Monitor ODDRDY pin

 When Data Ready, proceed to the next step.

(2) Read ST1 register (not needed when polling ST1)

 DRDY bit: Shows Data Ready or not. Not when “0”, Data Ready when “1”.

 ODDRDY pin (connect to pull-up resistor): Shows Data Ready or not. Not when “H”, Data Ready when “L”.

 DOR: Shows if any data has been skipped before the current data or not. There are no skipped data when “0”, there are skipped data when “1”.

(3) Read measurement data

 When any of measurement data registers (HXL to TMPS) or ST2 register is read, AK09915D judges that data reading is started. When data reading is started, DRDY bit and DOR bit turns to “0”.

(4) Read ST2 register (required)

 HOFL: Shows if magnetic sensor is overflowed or not. “0” means not overflowed, “1” means overflowed.

 When ST2 register is read, AK09915D judges that data reading is finished. Stored measurement data is protected during data reading and data is not updated. By reading ST2 register, this protection is released. It is required to read ST2 register after data reading.

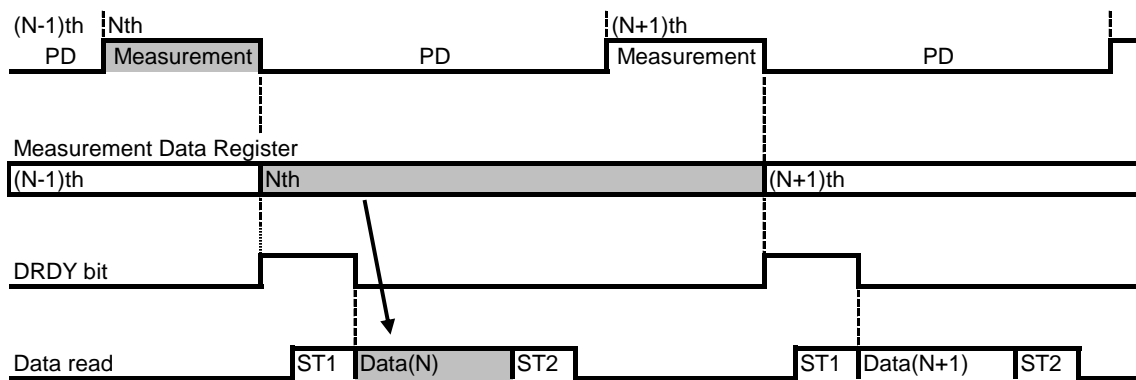


Figure 9.5 Normal read sequence

9.4.3.3. Data Read Start during Measurement

When sensor is measuring (Measurement period), measurement data registers (HXL to TMPS) keep the previous data. Therefore, it is possible to read out data even in measurement period. If data is started to be read during measurement period, previous data is read.

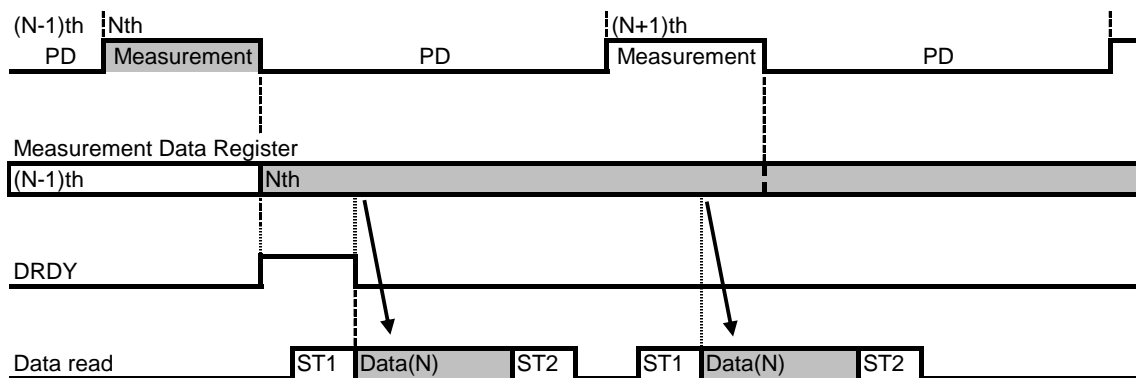


Figure 9.6 Data read start during measuring

9.4.3.4. Data Skip

When Nth data was not read before (N+1)th measurement ends, Data Ready remains until data is read. In this case, a set of measurement data is skipped so that DOR bit turns to “1”.

When data reading started after Nth measurement ended and did not finish reading before (N+1)th measurement ended, Nth measurement data is protected to keep correct data. In this case, a set of measurement data is skipped and not stored so that DOR bit turns to “1”.

In both case, DOR bit turns to “0” at the next start of data reading.

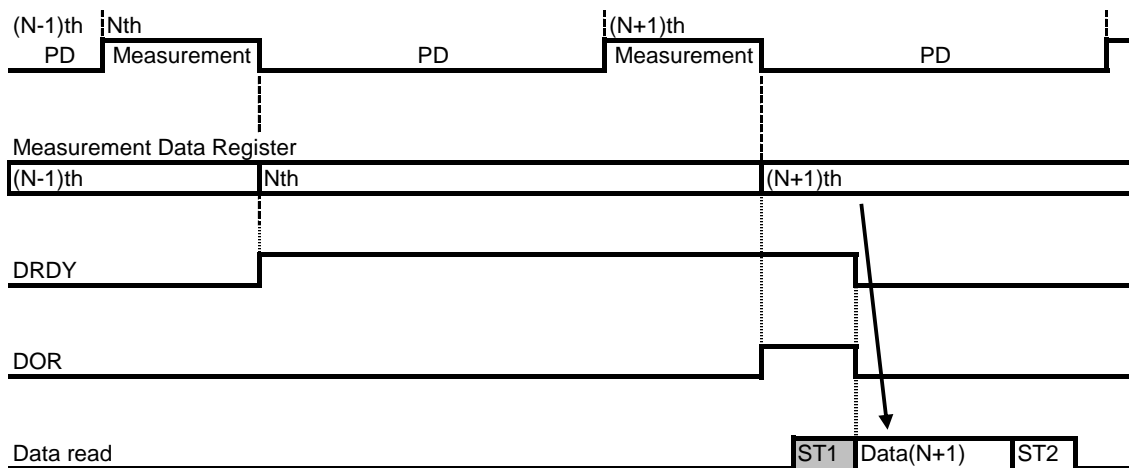


Figure 9.7 Data Skip: when data is not read

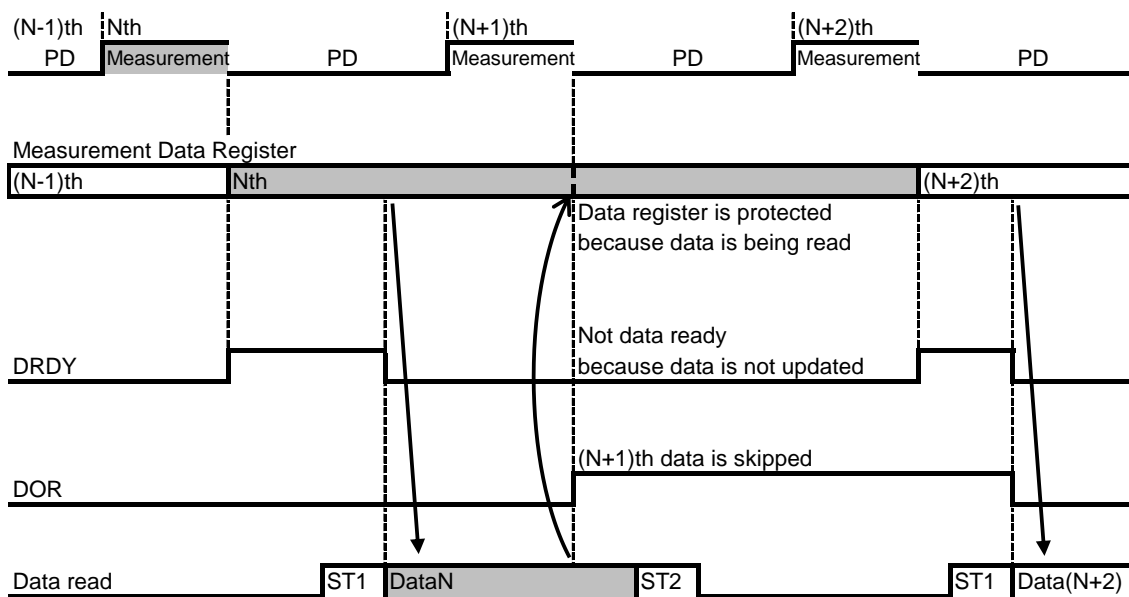


Figure 9.8 Data Skip: when data read has not been finished before the next measurement end

9.4.3.5. End Operation

Set Power-down mode (MODE[4:0] bits = “00000”) to end Continuous measurement mode.

9.4.3.6. Magnetic Sensor Overflow

AK09915D has the limitation for measurement range that the sum of absolute values of each axis should be smaller than 4912 μT . (Note 12)

$$|X|+|Y|+|Z| < 4912 \mu\text{T}$$

When the magnetic field exceeded this limitation, data stored at measurement data are not correct. This is called Magnetic Sensor Overflow.

When magnetic sensor overflow occurs, HOFL bit turns to “1”. When measurement data register (HXL to HZH) is updated, HOFL bit is updated.

(Note 12) BSE: 0.15 $\mu\text{T}/\text{LSB}$

9.4.4. Self-test Mode

Self-test mode is used to check if the magnetic sensor is working normally.

When Self-test mode (MODE[4:0] bits = “10000”) is set, magnetic field is generated by the internal magnetic source and magnetic sensor is measured. Measurement data is stored to measurement data registers (HXL to HZH), then AK09915D transits to Power-down mode automatically.

Data read sequence and functions of read-only registers in Self-test mode is the same as Single measurement mode.

9.4.4.1. Self-test Sequence

(1) Set Power-down mode. (MODE[4:0] bits = “00000”)

(2) Set Self-test mode. (MODE[4:0] bits = “10000”)

(3) Check Data Ready or not by any of the following method.

 Polling DRDY bit of ST1 register

 Monitor ODDRDY pin

 When Data Ready, proceed to the next step.

(4) Read measurement data (HXL to HZH)

9.4.4.2. Self-test Judgment

When measurement data read by the above sequence is in the range of following table, AK09915D is working normally.

| | HX[15:0] bits | HY[15:0] bits | HZ[15:0] bits |
|----------|---------------------------------|---------------------------------|---------------------------------|
| Criteria | $-200 \leq \text{HX} \leq +200$ | $-200 \leq \text{HY} \leq +200$ | $-800 \leq \text{HZ} \leq -200$ |

9.5. Noise Suppression Filter (NSF)

In Single measurement mode, Continuous measurement modes (1 to 6), output from the magnetic sensor can be filtered to suppress the noise. This filter name is Noise Suppression Filter (NSF). When NSF bit = “0”, NSF is “disable” and output magnetic data is not filtered. When NSF bit = “1”, output magnetic data is filtered.

NSF bit can be changed in Power-down mode only. Default NSF bit is “disable” (NSF bits = “0”).

9.6. Sensor Drive Select

AK09915D can choose “Low power” or “Low noise” drive.

“Low power” is used to save the current consumption and “Low noise” is used to reduce the noise of the AK09915D. When Low power (SDR bit = “0”) is set, average current consumption at 100 Hz repetition rate is reduced from 1.8 mA to 0.9 mA. When Low noise (SDR bit = “1”) is set, output magnetic data noise is less than Low power (about 70% of Low power).

SDR bit can be changed in Power-down mode only. Default SDR bit is Low power enable (SDR bit = “0”).

9.7. FIFO

FIFO function is available in Continuous measurement modes. FIFO function is enabled by setting FIFO bit = "1". It is prohibited to enable FIFO function in any modes other than Continuous measurement modes.

When FIFO function is enabled, Measurement Magnetic Data (HXL to HZH) and HOFL bit are stored to the buffer as a set of data. The buffer is capable up to 32 sets of data. If a new data is measured when 32 sets of data are already stored, the oldest data set is deleted and the new data set is stored. If measurement data registers are read when FIFO function is enabled, the oldest data set is read as first-in first-out method.

When reading out data from the buffer, always start with HXL register and finish with ST2 register. By accessing HXL register, the oldest data set is loaded to the measurement data registers from the buffer. Reading ST2 register is regarded as the finish of reading out one set of data. Then the read data set is deleted and the next oldest data set will be ready to be read. If ST2 register or HXL register is not read, the same set of data is kept in the measurement data registers.

When FIFO function is enabled, DRDY bit and DOR bit functions differently. DRDY bit informs that data set is stored up to Watermark. Refer to 9.7.1 for details. DOR bit informs that data set is overflowed from the buffer. If a set of new data is measured when the buffer is full, DOR bit turns to "1". If at least one data set is read from the buffer, DOR bit turns to "0".

If data is read out when the buffer is empty, INV bit is turned to "1" and measurement data registers (HXL to HZH) are forced to fixed value 7FFFh. If a set of new data is measured, INV bit turns to "0".

When AK09915D is reset (refer to 9.2), FIFO buffer are initialized.

9.7.1. Watermark

When FIFO function is enabled, Watermark function is available. By setting WM[4:0] bits, AK09915D informs that data set is stored up to or more than Watermark. If the number of stored data set is equal to or more than the number set to WM[4:0] bits, DRDY bit turns to "1". If the number of stored data set is less than the number set to WM[4:0] bits, DRDY bit turns to "0". When DRDY bit turn to "1", ODDRDY pin is "L". When DRDY bit turn to "0", ODDRDY pin is "H".

WM[4:0] bits should be changed in the Power-down mode only. It is prohibited to write WM[4:0] bits in other modes.

10. Serial Interface

AK09915D supports I²C bus interface and 4-wire SPI. A selection is made by CSB pin. When used as 3-wire SPI, set SI pin and SO pin wired-OR externally.

- CSB pin = "L": 4-wire SPI
- CSB pin = "H": I²C bus interface

10.1. 4-wire SPI

The 4-wire SPI consists of four digital signal lines: SK, SI, SO, and CSB, and is provided in 16bit protocol. Data consists of Read/Write control bit (R/W), register address (7-bit) and control data (8-bit). To read out all axes measurement data (X, Y, Z), an option to read out more than one byte data using automatic increment command is available. (Sequential read operation)

CSB pin is low active. Input data is taken in on the rising edge of SK pin, and output data is changed on the falling edge of SK pin. (SPI-mode3)

Communication starts when CSB pin transits to "L" and stops when CSB pin transits to "H". SK pin must be "H" during CSB pin is in transition. Also, it is prohibited to change SI pin during CSB pin is "H" and SK pin is "H".

10.1.1. Writing Data

Input 16 bits data on SI pin in synchronous with the 16-bit serial clock input on SK pin. Out of 16 bits input data, the first 8-bit specify the R/W control bit (R/W = "0" when writing) and register address (7-bit), and the latter 8-bit are control data (8-bit). When any of addresses listed on Table 11.1 is input, AK09915D recognizes that it is selected and takes in latter 8-bit as setting data.

If the number of clock pulses is less than 16, no data is written. If the number of clock pulses is more than 16, data after the 16th clock pulse on SI pin are ignored.

It is not compliant with serial write operation for multiple addresses.

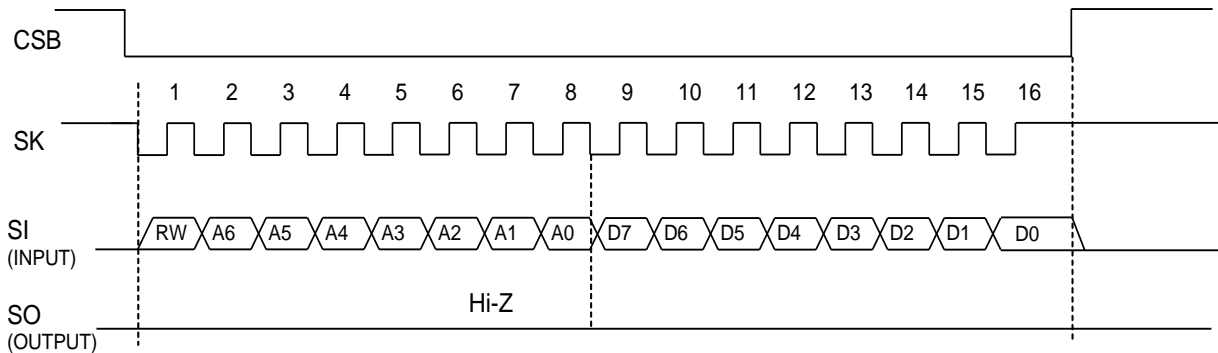


Figure 10.1 4-wire SPI Writing Data

10.1.2. Reading Data

Input the R/W control bit (R/W = "1") and 7-bit register address on SI pin in synchronous with the first 8-bit of the 16 bits of a serial clock input on SK pin. Then AK09915D outputs the data held in the specified register with MSB first from SO pin.

When clocks are input continuously after one byte of data is read, the address is incremented and data in the next address is output. Accordingly, after the falling edge of the 15th clock and CSB pin is "L", the data in the next address is output on SO pin. When CSB pin is driven "L" to "H", SO pin is placed in the high-impedance state.

AK09915D has three incrementation lines; 00h to 18h, 30h to 32h and 60h to 62h. In line 00h to 18h, the incrementation depends on FIFO bit. When FIFO function is disabled, AK09915D increments as follows: 00h → 01h → 02h → 03h → 10h → 11h ... → 18h → 00h → 01h When FIFO function is enabled: 00h → 01h → 02h → 03h → 10h → 11h ... → 18h → 11h → 12h In line 30h to 32h and 60h to 62h, it increments as: 30h → 31h → 32h → 30h ..., and 60h → 61h → 62h → 60h

33h to 35h and 37h are reserved addresses. Do not access to those addresses.

When specified address is other than 00h to 18h, 30h to 37h and 60h to 62h, AK09915D recognizes that it is not selected and keeps SO pin in high-impedance state. Therefore, user can use other addresses for other devices.

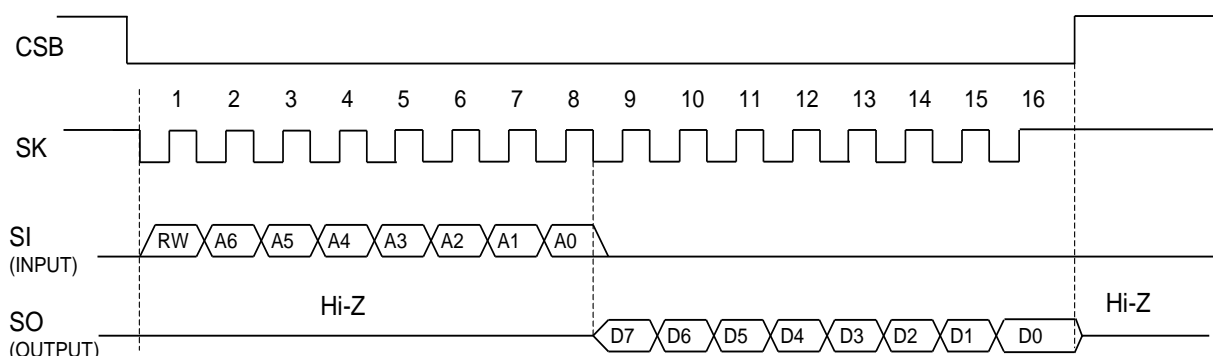


Figure 10.2 4-wire SPI Reading Data

10.2. I²C Bus Interface

The I²C bus interface of AK09915D supports the Standard mode (100 kHz max.), the Fast mode (400 kHz max.), and High-speed mode (Hs-mode, 2.5 MHz max.).

10.2.1. Data Transfer

To access AK09915D on the bus, generate a start condition first.

Next, transmit a one-byte slave address including a device address. At this time, AK09915D compares the slave address with its own address. If these addresses match, AK09915D generates an acknowledgement, and then executes READ or WRITE instruction. At the end of instruction execution, generate a stop condition.

10.2.1.1. Change of Data

A change of data on the SDA line must be made during “Low” period of the clock on the SCL line. When the clock signal on the SCL line is “High”, the state of the SDA line must be stable. (Data on the SDA line can be changed only when the clock signal on the SCL line is “Low”.)

During the SCL line is “High”, the state of data on the SDA line is changed only when a start condition or a stop condition is generated.

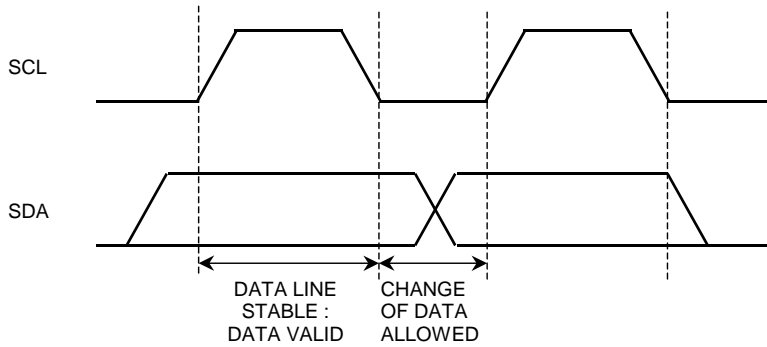


Figure 10.3 Data Change

10.2.1.2. Start/Stop Condition

If the SDA line is driven to “Low” from “High” when the SCL line is “High”, a start condition is generated. Every instruction starts with a start condition.

If the SDA line is driven to “High” from “Low” when the SCL line is “High”, a stop condition is generated. Every instruction stops with a stop condition.

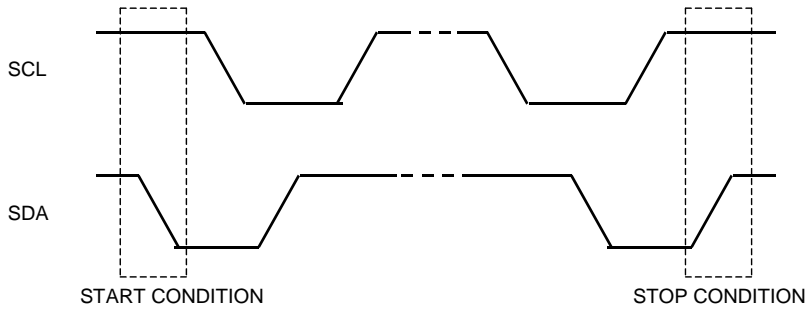


Figure 10.4 Start and Stop Condition

10.2.1.3. Acknowledge

The IC that is transmitting data releases the SDA line (in the “High” state) after sending 1-byte data. The IC that receives the data drives the SDA line to “Low” on the next clock pulse. This operation is referred as acknowledge. With this operation, whether data has been transferred successfully can be checked. AK09915D generates an acknowledge after reception of a start condition and slave address. When a WRITE instruction is executed, AK09915D generates an acknowledge after every byte is received. When a READ instruction is executed, AK09915D generates an acknowledge then transfers the data stored at the specified address. Next, AK09915D releases the SDA line then monitors the SDA line. If a master IC generates an acknowledge instead of a stop condition, AK09915D transmits the 8-bit data stored at the next address. If no acknowledge is generated, AK09915D stops data transmission.

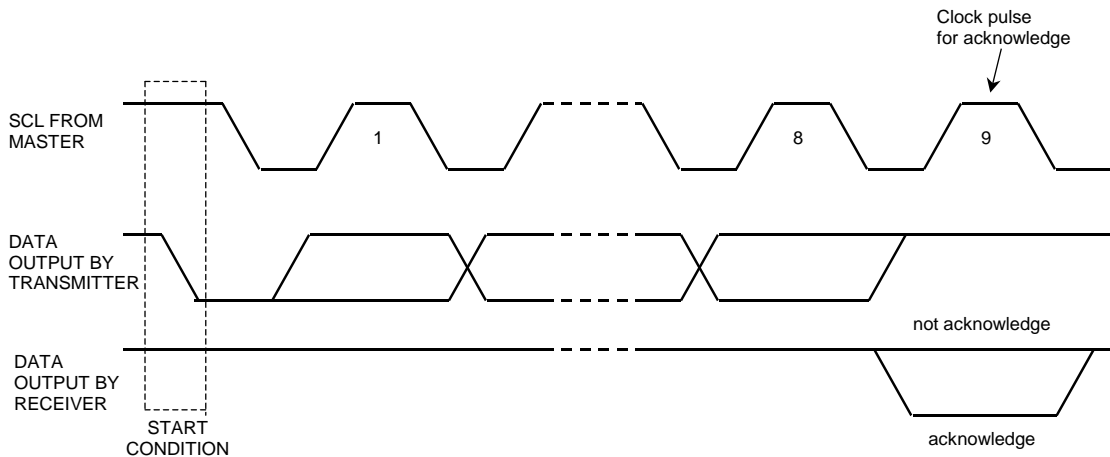


Figure 10.5 Generation of Acknowledge

10.2.1.4. Slave Address

The slave address of AK09915D can be selected from the following list by setting CAD0/1 pin. When CAD pin is fixed to VSS, the corresponding slave address bit is “0”. When CAD pin is fixed to VDD, the corresponding slave address bit is “1”.

Table 10.1 Slave Address and CAD0/1 pin

| CAD1 | CAD0 | Slave Address |
|------|------|---------------|
| 0 | 0 | 0Ch |
| 0 | 1 | 0Dh |
| 1 | 0 | 0Eh |
| 1 | 1 | 0Fh |

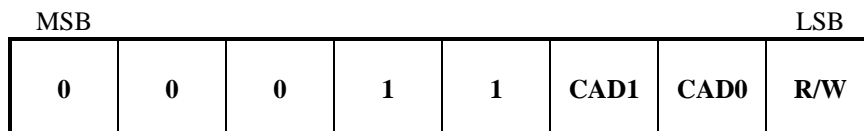


Figure 10.6 Slave Address

The first byte including a slave address is transmitted after a start condition, and an IC to be accessed is selected from the ICs on the bus according to the slave address. When a slave address is transferred, the IC whose device address matches the transferred slave address generates an acknowledge then executes an instruction. The 8th bit (least significant bit) of the first byte is a R/W bit. When the R/W bit is set to “1”, READ instruction is executed. When the R/W bit is set to “0”, WRITE instruction is executed.

10.2.2.WRITE Instruction

When the R/W bit is set to “0”, AK09915D performs write operation.

In write operation, AK09915D generates an acknowledge after receiving a start condition and the first byte (slave address) then receives the second byte. The second byte is used to specify the address of an internal control register and is based on the MSB-first configuration.

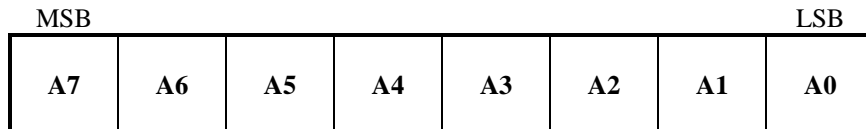


Figure 10.7 Register Address

After receiving the second byte (register address), AK09915D generates an acknowledge then receives the third byte.

The third and the following bytes represent control data. Control data consists of 8-bit and is based on the MSB-first configuration. AK09915D generates an acknowledge after every byte is received. Data transfer always stops with a stop condition generated by the master.

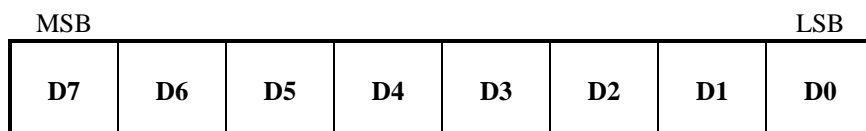


Figure 10.8 Control Data

AK09915D can write multiple bytes of data at a time.

After reception of the third byte (control data), AK09915D generates an acknowledge then receives the next data. If additional data is received instead of a stop condition after receiving one byte of data, the address counter inside the LSI chip is automatically incremented and the data is written at the next address.

The address is incremented from 00h to 18h from 30h to 32h, or from 60h to 62h. When the address is between 00h and 18h, in case that FIFO function is disabled, the address is incremented 00h → 01h → 02h → 03h → 10h → 11h ... → 18h, and the address goes back to 00h after 18h. In case that FIFO function is enabled, the address is incremented 00h → 01h → 02h → 03h → 10h → 11h ... → 18h, and the address goes back to 11h after 18h. When the address is between 30h and 32h, the address goes back to 30h after 32h. When the address is between 30h and 32h, the address goes back to 30h after 32h.

Actual data is written only to Read/Write registers (Table 11.2)

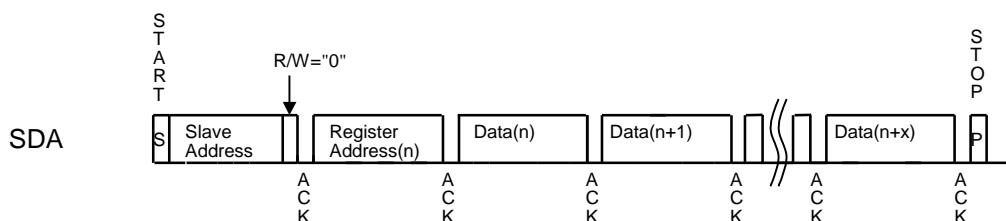


Figure 10.9 WRITE Instruction

10.2.3.READ Instruction

When the R/W bit is set to “1”, AK09915D performs read operation.

If a master IC generates an acknowledge instead of a stop condition after AK09915D transfers the data at a specified address, the data at the next address can be read.

Address can be 00h to 18h, 30h to 32h, or 60h to 62h. When the address is between 00h and 18h, in case that FIFO function is disabled, the address is incremented 00h → 01h → 02h → 03h → 10h → 11h ... → 18h, and the address goes back to 00h after 18h. In case that FIFO function is enabled, the address is incremented 00h → 01h → 02h → 03h → 10h → 11h ... → 18h, and the address goes back to 11h after 18h. When the address

is between 30h and 32h, the address goes back to 30h after 32h. When the address is between 60h and 62h, the address goes back to 60h after 62h.

AK09915D supports current address read and random address read..

10.2.3.1. Current Address Read

AK09915D has an address counter inside the LSI chip. In current address read operation, the data at an address specified by this counter is read.

The internal address counter holds the next address of the most recently accessed address.

For example, if the address most recently accessed (for READ instruction) is address “n”, and a current address read operation is attempted, the data at address “n+1” is read.

In current address read operation, AK09915D generates an acknowledge after receiving a slave address for the READ instruction (R/W bit = “1”). Next, AK09915D transfers the data specified by the internal address counter starting with the next clock pulse, then increments the internal counter by one. If the master IC generates a stop condition instead of an acknowledge after AK09915D transmits one byte of data, the read operation stops.

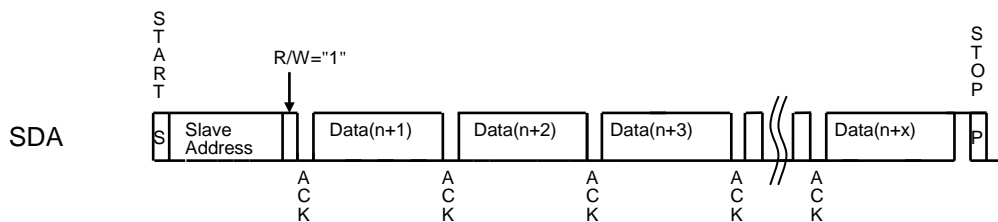


Figure 10.10 Current Address READ

10.2.3.2. Random Address Read

By random address read operation, data at an arbitrary address can be read.

The random address read operation requires to execute WRITE instruction as dummy before a slave address for the READ instruction (R/W bit = “1”) is transmitted. In random read operation, a start condition is first generated then a slave address for the WRITE instruction (R/W bit = “0”) and a read address are transmitted sequentially.

After AK09915D generates an acknowledge in response to this address transmission, a start condition and a slave address for the READ instruction (R/W bit = “1”) are generated again. AK09915D generates an acknowledge in response to this slave address transmission. Next, AK09915D transfers the data at the specified address then increments the internal address counter by one. If the master IC generates a stop condition instead of an acknowledge after data is transferred, the read operation stops.

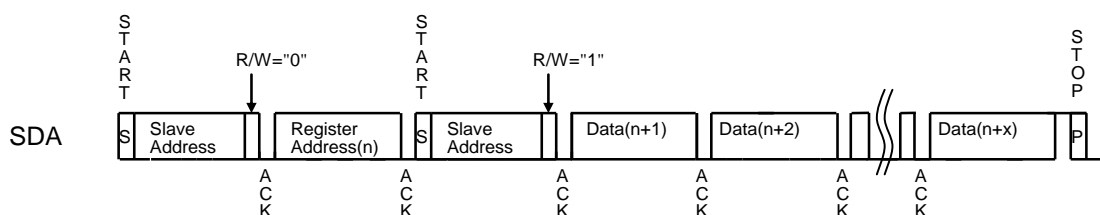


Figure 10.11 Random Address READ

10.2.4.High-speed Mode (Hs-mode)

AK09915D supports the Hs-mode.

Hs-mode can only commence after the following conditions (all of which are in Fast/Standard-mode):

- START condition (S)
- 8-bit master code (00001XXX)
- not-acknowledge bit (\bar{A})

The diagram below shows data flow of the Hs-mode.

After start condition, feed master code 00001XXX for transfer to the Hs-mode. And then AK09915D feeds back not-acknowledge bit and switch over to circuit for the Hs-mode between times t_1 and t_H . AK09915D can communicate at the Hs-mode from next START condition. At time t_{FS} , AK09915D switches its internal circuit from the Hs-mode to the First mode with the STOP condition (P). This transfer completes in the bus free time (t_{BUF}).

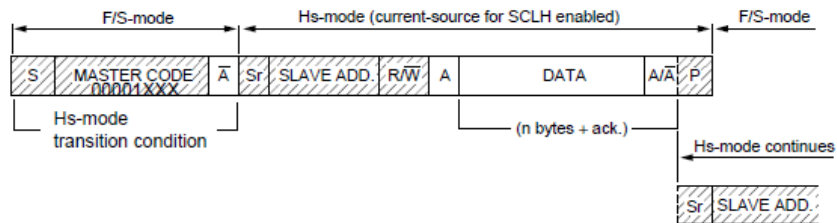


Figure 10.12 Data transfer format in Hs-mode

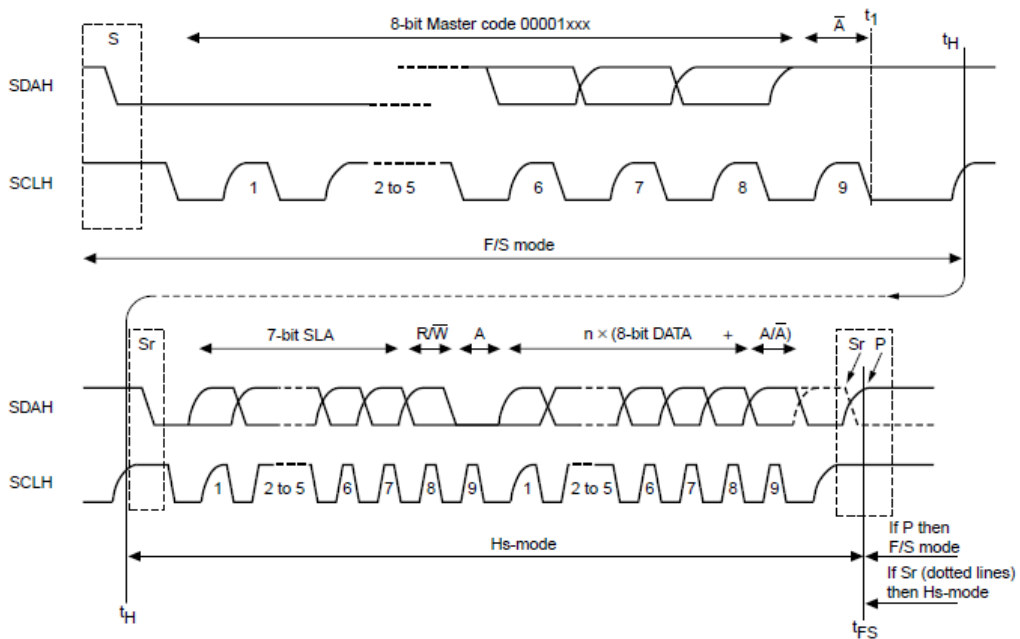


Figure 10.13 Hs-mode transfer

| |
|----------------------|
| 11. Registers |
|----------------------|

11.1. Description of Registers

AK09915D has registers of 29 addresses as indicated in Table 11.1. Every address consists of 8-bit data. Data is transferred to or received from the external CPU via the serial interface described previously.

Table 11.1 Register Table

| Name | Address | READ/ WRITE | Description | Bit width | Remarks |
|--------|---------|----------------|---------------------------|--------------|------------------|
| WIA1 | 00h | READ | Company ID | 8 | |
| WIA2 | 01h | READ | Device ID | 8 | |
| RSV | 02h | READ | Reserved | 8 | |
| INFO | 03h | READ | Information | 8 | |
| ST1 | 10h | READ | Status 1 | 8 | Data status |
| HXL | 11h | READ | Measurement Magnetic Data | 8 | X-axis data |
| HXH | 12h | READ | | 8 | |
| HYL | 13h | READ | | 8 | Y-axis data |
| HYH | 14h | READ | | 8 | |
| HZL | 15h | READ | | 8 | Z-axis data |
| HZH | 16h | READ | | 8 | |
| TMPS | 17h | READ | Dummy | 8 | Dummy |
| ST2 | 18h | READ | Status 2 | 8 | Data status |
| CNTL1 | 30h | READ/WRITE | Control 1 | 8 | Control settings |
| CNTL2 | 31h | READ/WRITE | Control 2 | 8 | Control settings |
| CNTL3 | 32h | READ/WRITE | Control 3 | 8 | Control settings |
| TS1 | 33h | READ/WRITE | Test | 8 | DO NOT ACCESS |
| TS2 | 34h | READ/WRITE | Test | 8 | DO NOT ACCESS |
| TS3 | 35h | READ/WRITE | Test | 8 | DO NOT ACCESS |
| I2CDIS | 36h | READ/WRITE | I ² C disable | 8 | |
| TS4 | 37h | READ/WRITE | Test | 8 | DO NOT ACCESS |
| ASAX | 60h | READ | Dummy | 8 | Dummy |
| ASAY | 61h | READ | Dummy | 8 | Dummy |
| ASAZ | 62h | READ | Dummy | 8 | Dummy |
| TPH1 | C0h | READ/WRITE | Test | 8 | DO NOT ACCESS |
| TPH2 | C1h | READ/WRITE | Test | 8 | DO NOT ACCESS |
| RR | C2h | READ/WRITE | Test | 8 | DO NOT ACCESS |
| SYT | C3h | READ/WRITE | Test | 8 | DO NOT ACCESS |
| DT | C4h | READ/WRITE | Test | 8 | DO NOT ACCESS |

Addresses 00h to 18h, 30h to 32h and 60h to 62h are compliant with automatic increment function of serial interface respectively. When the address is in 00h to 18h, in case that FIFO function is disabled, the address is incremented 00h → 01h → 02h → 03h → 10h → 11h ... → 18h, and the address goes back to 00h after 18h. In case that FIFO function is enabled, the address is incremented 00h → 01h → 02h → 03h → 10h → 11h ... → 18h, and the address goes back to 11h after 18h. When the address is in 30h to 32h, the address goes back to 30h after 32h. When the address is in 60h to 62h, the address goes back to 60h after 62h.

11.2. Register Map

Table 11.2 Register Map

| Addr. | Register name | D7 | D6 | D5 | D4 | D3 | D2 | D1 | D0 |
|---------------------|---------------|---------|---------|---------|---------|---------|---------|---------|---------|
| Read-only register | | | | | | | | | |
| 00h | WIA1 | 0 | 1 | 0 | 0 | 1 | 0 | 0 | 0 |
| 01h | WIA2 | 0 | 0 | 0 | 1 | 0 | 0 | 0 | 0 |
| 02h | RSV | RSV7 | RSV6 | RSV5 | RSV4 | RSV3 | RSV2 | RSV1 | RSV0 |
| 03h | INFO | 0 | 0 | 0 | 0 | 0 | 0 | 0 | 0 |
| 10h | ST1 | HSM | 0 | 0 | 0 | 0 | 0 | DOR | DRDY |
| 11h | HXL | HX7 | HX6 | HX5 | HX4 | HX3 | HX2 | HX1 | HX0 |
| 12h | HXH | HX15 | HX14 | HX13 | HX12 | HX11 | HX10 | HX9 | HX8 |
| 13h | HYL | HY7 | HY6 | HY5 | HY4 | HY3 | HY2 | HY1 | HY0 |
| 14h | HYH | HY15 | HY14 | HY13 | HY12 | HY11 | HY10 | HY9 | HY8 |
| 15h | HZL | HZ7 | HZ6 | HZ5 | HZ4 | HZ3 | HZ2 | HZ1 | HZ0 |
| 16h | HZH | HZ15 | HZ14 | HZ13 | HZ12 | HZ11 | HZ10 | HZ9 | HZ8 |
| 17h | TMPS | 0 | 0 | 0 | 0 | 0 | 0 | 0 | 0 |
| 18h | ST2 | 0 | 0 | 0 | 0 | HOFL | INV | 0 | 0 |
| Read/Write register | | | | | | | | | |
| 30h | CNTL1 | 0 | 0 | NSF | WM4 | WM3 | WM2 | WM1 | WM0 |
| 31h | CNTL2 | FIFO | SDR | 0 | MODE4 | MODE3 | MODE2 | MODE1 | MODE0 |
| 32h | CNTL3 | 0 | 0 | 0 | 0 | 0 | 0 | 0 | SRST |
| 33h | TS1 | - | - | - | - | - | - | - | - |
| 34h | TS2 | - | - | - | - | - | - | - | - |
| 35h | TS3 | - | - | - | - | - | - | - | - |
| 36h | I2CDIS | I2CDIS7 | I2CDIS6 | I2CDIS5 | I2CDIS4 | I2CDIS3 | I2CDIS2 | I2CDIS1 | I2CDIS0 |
| 37h | TS4 | - | - | - | - | - | - | - | - |
| Read-only register | | | | | | | | | |
| 60h | ASAX | 1 | 0 | 0 | 0 | 0 | 0 | 0 | 0 |
| 61h | ASAY | 1 | 0 | 0 | 0 | 0 | 0 | 0 | 0 |
| 62h | ASAZ | 1 | 0 | 0 | 0 | 0 | 0 | 0 | 0 |
| Read/Write register | | | | | | | | | |
| C0h | TPH1 | - | - | - | - | - | - | - | - |
| C1h | TPH2 | - | - | - | - | - | - | - | - |
| C2h | RR | - | - | - | - | - | - | - | - |
| C3h | SYT | - | - | - | - | - | - | - | - |
| C4h | DT | - | - | - | - | - | - | - | - |

When VDD is turned ON, POR function works and all registers of AK09915D are initialized regardless of VID status. To write data to or to read data from register, VID must be ON.

TS1, TS2, TS3, TS4, TPH1, TPH2, RR, SYT and DT are test register for shipment test. Do not access these registers.

11.3. Detailed Description of Registers

11.3.1.WIA: Who I Am

| Addr. | Register name | D7 | D6 | D5 | D4 | D3 | D2 | D1 | D0 |
|--------------------|---------------|----|----|----|----|----|----|----|----|
| Read-only register | | | | | | | | | |
| 00h | WIA1 | 0 | 1 | 0 | 0 | 1 | 0 | 0 | 0 |
| 01h | WIA2 | 0 | 0 | 0 | 1 | 0 | 0 | 0 | 0 |

WIA1[7:0] bits: Company ID of AKM. It is described in one byte and fixed value.

48h: fixed

WIA2[7:0] bits: Device ID of AK09915D. It is described in one byte and fixed value.

10h: fixed

11.3.2.RSV: Reserved

| Addr. | Register Name | D7 | D6 | D5 | D4 | D3 | D2 | D1 | D0 |
|--------------------|---------------|-------|-------|-------|-------|-------|-------|-------|-------|
| Read-only register | | | | | | | | | |
| 02h | RSV | RSV17 | RSV16 | RSV15 | RSV14 | RSV13 | RSV12 | RSV11 | RSV10 |

RSV[7:0] bits: Reserved register for AKM.

11.3.3.INFO: Information

| Addr. | Register Name | D7 | D6 | D5 | D4 | D3 | D2 | D1 | D0 |
|--------------------|---------------|----|----|----|----|----|----|----|----|
| Read-only register | | | | | | | | | |
| 03h | INFO | 0 | 0 | 0 | 0 | 0 | 0 | 1 | 0 |

INFO[7:0] bits: Administrative information of AKM. It is described in one byte and fixed value.

02h: fixed

11.3.4.ST1: Status 1

| Addr. | Register name | D7 | D6 | D5 | D4 | D3 | D2 | D1 | D0 |
|--------------------|---------------|-----|----|----|----|----|----|-----|------|
| Read-only register | | | | | | | | | |
| 10h | ST1 | HSM | 0 | 0 | 0 | 0 | 0 | DOR | DRDY |
| Reset | | 0 | 0 | 0 | 0 | 0 | 0 | 0 | 0 |

DRDY bit: Data Ready

“0”: Normal

“1”: Data is ready

When FIFO is disabled (FIFO bit = “0”);

DRDY bit turns to “1” when data is ready in Single measurement mode, Continuous measurement mode 1, 2, 3, 4, 5, 6 or Self-test mode. It returns to “0” when any one of ST2 register or measurement data register (HXL to TMPS) is read. When DRDY bit turn to “1”, ODDRDY pin is “L”. When DRDY bit turn to “0”, ODDRDY pin is “H”

When FIFO is enabled (FIFO bit = “1”);

If the number of stored data set is equal to or more than the number set to WM[4:0] bits, DRDY bit turns to “1”. If the number of stored data set is less than the number set to WM[4:0] bits, DRDY bit turns to “0”. When DRDY bit turn to “1”, ODDRDY pin is “L”. When DRDY bit turn to “0”, ODDRDY pin is “H”

DOR bit: Data Overrun

“0”: Normal

“1”: Data overrun

When FIFO is disabled (FIFO bit = “0”);

DOR bit turns to “1” when data has been skipped in Continuous measurement mode 1, 2, 3, 4, 5 or 6. It returns to “0” when any one of ST2 register or measurement data register (HXL to TMPS) is read.

When FIFO is enabled (FIFO bit = “1”);

If a set of new data is measured when the buffer is full, DOR bit turns to “1”. If at least one data set is read from the buffer, DOR bit turns to “0”.

HSM bit: I²C Hs-mode

“0”: Standard/Fast mode

“1”: Hs-mode

HSM bit turns to “1” when I²C bus interface is changed from Standard or Fast mode to High-speed mode (Hs-mode).

11.3.5.HXL to HZH: Measurement magnetic data

| Addr. | Register name | D7 | D6 | D5 | D4 | D3 | D2 | D1 | D0 |
|--------------------|---------------|------|------|------|------|------|------|-----|-----|
| Read-only register | | | | | | | | | |
| 11h | HXL | HX7 | HX6 | HX5 | HX4 | HX3 | HX2 | HX1 | HX0 |
| 12h | HXH | HX15 | HX14 | HX13 | HX12 | HX11 | HX10 | HX9 | HX8 |
| 13h | HYL | HY7 | HY6 | HY5 | HY4 | HY3 | HY2 | HY1 | HY0 |
| 14h | HYH | HY15 | HY14 | HY13 | HY12 | HY11 | HY10 | HY9 | HY8 |
| 15h | HZL | HZ7 | HZ6 | HZ5 | HZ4 | HZ3 | HZ2 | HZ1 | HZ0 |
| 16h | HZH | HZ15 | HZ14 | HZ13 | HZ12 | HZ11 | HZ10 | HZ9 | HZ8 |
| Reset | | 0 | 0 | 0 | 0 | 0 | 0 | 0 | 0 |

Measurement data of magnetic sensor X-axis/Y-axis/Z-axis

HXL[7:0] bits: X-axis measurement data lower 8-bit

HXH[15:8] bits: X-axis measurement data higher 8-bit

HYL[7:0] bits: Y-axis measurement data lower 8-bit

HYH[15:8] bits: Y-axis measurement data higher 8-bit

HZL[7:0] bits: Z-axis measurement data lower 8-bit

HZH[15:8] bits: Z-axis measurement data higher 8-bit

Measurement data is stored in two's complement and Little Endian format. Measurement range of each axis is -32752 to 32752 in 16-bit output.

Table 11.3 Measurement magnetic data format

| Measurement data (each axis) [15:0] bits | | | Magnetic flux density [μ T] |
|--|------|---------|----------------------------------|
| Two's complement | Hex | Decimal | |
| 0111 1111 1111 0000 | 7FF0 | 32752 | 4912(max.) |
| | | | |
| 0000 0000 0000 0001 | 0001 | 1 | 0.15 |
| 0000 0000 0000 0000 | 0000 | 0 | 0 |
| 1111 1111 1111 1111 | FFFF | -1 | -0.15 |
| | | | |
| 1000 0000 0001 0000 | 8010 | -32752 | -4912(min.) |

When FIFO is enabled (FIFO bit = "1");

By accessing HXL register, the oldest data set is passed to the read register from the buffer. Reading ST2 register is regarded as the finish of reading out one set of data. Then the read data set is deleted and the next oldest data set will be ready to be read. If ST2 register or HXL register is not read, the same set of data is kept in the read register. When reading out data, always start with HXL register and finish with ST2 register.

11.3.6. TMPS: Dummy

| Addr. | Register name | D7 | D6 | D5 | D4 | D3 | D2 | D1 | D0 |
|--------------------|---------------|----|----|----|----|----|----|----|----|
| Read-only register | | | | | | | | | |
| 17h | TMPS | 0 | 0 | 0 | 0 | 0 | 0 | 0 | 0 |
| Reset | | 0 | 0 | 0 | 0 | 0 | 0 | 0 | 0 |

TMPS[7:0] bits: Dummy register

11.3.7. ST2: Status 2

| Addr. | Register name | D7 | D6 | D5 | D4 | D3 | D2 | D1 | D0 |
|--------------------|---------------|----|----|----|----|------|-----|----|----|
| Read-only register | | | | | | | | | |
| 18h | ST2 | 0 | 0 | 0 | 0 | HOFL | INV | 0 | 0 |
| Reset | | 0 | 0 | 0 | 0 | 0 | 0 | 0 | 0 |

HOFL bit: Magnetic sensor overflow

"0": Normal

"1": Magnetic sensor overflow occurred

In Single measurement mode, Continuous measurement modes (1 to 6) and Self-test mode, magnetic sensor may overflow even though measurement data registers are not saturated. In this case, measurement data is not correct and HOFL bit turns to "1". When measurement data register (HXL to HZH) is updated, HOFL bit is updated. Refer to 9.4.3.6 for detailed information.

INV bit: Invalid data

“0”: Normal

“1”: Data is invalid

INV bit functions only when FIFO is enabled (FIFO bit = “1”). If data is read out when there is no data set in the buffer, INV bit is turned to “1” and measurement data registers (HXL to HZH) are forced to fixed value 7FFFh. If a set of new data is measured, INV bit turns to “0”.

When FIFO is disabled (FIFO bit = “0”);

ST2 register has a role as data reading end register, also. When any of measurement data register (HXL to TMPS) is read in Continuous measurement modes (1 to 6), it means data reading start and taken as data reading until ST2 register is read. Therefore, when any of measurement data is read, be sure to read ST2 register at the end.

When FIFO is enabled (FIFO bit = “1”);

ST2 register is a part of one set of data stored in the buffer. If any of data register (HXL to TMPS) is read, be sure to read ST2 register at the end. If read data set includes magnetic sensor over flow, HOFL bit is “1”. If there is no data set in the buffer, INV bit is “1”.

11.3.8.CNTL1: Control 1

| Addr. | Register name | D7 | D6 | D5 | D4 | D3 | D2 | D1 | D0 |
|---------------------|---------------|----|----|-----|-----|-----|-----|-----|-----|
| Read/Write register | | | | | | | | | |
| 30h | CNTL1 | 0 | 0 | NSF | WM4 | WM3 | WM2 | WM1 | WM0 |
| Reset | | 0 | 0 | 0 | 0 | 0 | 0 | 0 | 0 |

NSF bit : Noise suppression filter setting

“0”: disable

“1”: enable

Output data from magnetic sensor is filtered to suppress the noise according to the setting. Refer to 9.5 for detailed information.

Do not write “1” in D6 register.

WM[4:0] bits: Watermark level setting

“00000”: 1 step

“00001”: 2 steps

“00010”: 3 steps

|

“11111”: 32 steps (upper limit)

Watermark level can be set every 1 step. The upper limit of watermark level is 32 steps (WM[4:0] bits = “11111”).

It is prohibited to change WM[4:0] bits in any other modes than Power-down mode.

11.3.9. CNTL2: Control 2

| Addr. | Register name | D7 | D6 | D5 | D4 | D3 | D2 | D1 | D0 |
|---------------------|---------------|------|-----|----|-------|-------|-------|-------|-------|
| Read/Write register | | | | | | | | | |
| 31h | CNTL2 | FIFO | SDR | 0 | MODE4 | MODE3 | MODE2 | MODE1 | MODE0 |
| Reset | | 0 | 0 | 0 | 0 | 0 | 0 | 0 | 0 |

MODE[4:0] bits: Operation mode setting

“00000”: Power-down mode

“00001”: Single measurement mode

“00010”: Continuous measurement mode 1

“00100”: Continuous measurement mode 2

“00110”: Continuous measurement mode 3

“01000”: Continuous measurement mode 4

“01010”: Continuous measurement mode 5

“01100”: Continuous measurement mode 6

“10000”: Self-test mode

When each mode is set, AK09915D transits to the set mode. Refer to 9.3 for detailed information. If other value is set, AK09915D transits to power-down mode automatically.

SDR bit: Sensor drive setting

“0”: Low power drive

“1”: Low noise drive

Default SDR bit is Low power drive (SDR bit = “0”). By writing “1” to SDR bit, AK09915D is switched from Low power drive to Low noise drive.

FIFO bit: FIFO setting

“0”: disable

“1”: enable

By writing “1” to FIFO bit, FIFO function is enabled. By writing “0”, FIFO function is disabled and the buffer is cleared at the same time. FIFO function is available only in Continuous measurement mode. It is prohibited to enable it other than Continuous measurement mode

11.3.10. CNTL3: Control 3

| Addr. | Register name | D7 | D6 | D5 | D4 | D3 | D2 | D1 | D0 |
|---------------------|---------------|----|----|----|----|----|----|----|------|
| Read/Write register | | | | | | | | | |
| 32h | CNTL3 | 0 | 0 | 0 | 0 | 0 | 0 | 0 | SRST |
| Reset | | 0 | 0 | 0 | 0 | 0 | 0 | 0 | 0 |

SRST bit: Soft reset

“0”: Normal

“1”: Reset

When “1” is set, all registers are initialized. After reset, SRST bit turns to “0” automatically.

11.3.11. TS1, TS2, TS3: Test

| Addr. | Register name | D7 | D6 | D5 | D4 | D3 | D2 | D1 | D0 |
|---------------------|---------------|----|----|----|----|----|----|----|----|
| Read/Write register | | | | | | | | | |
| 33h | TS1 | - | - | - | - | - | - | - | - |
| 34h | TS2 | - | - | - | - | - | - | - | - |
| 35h | TS3 | - | - | - | - | - | - | - | - |
| Reset | | 0 | 0 | 0 | 0 | 0 | 0 | 0 | 0 |

TS1, TS2 and TS3 registers are AKM internal test registers. Do not access these registers.

11.3.12. I2CDIS: I²C Disable

| Addr. | Register name | D7 | D6 | D5 | D4 | D3 | D2 | D1 | D0 |
|---------------------|---------------|---------|---------|---------|---------|---------|---------|---------|---------|
| Read/Write register | | | | | | | | | |
| 36h | I2CDIS | I2CDIS7 | I2CDIS6 | I2CDIS5 | I2CDIS4 | I2CDIS3 | I2CDIS2 | I2CDIS1 | I2CDIS0 |
| Reset | | 0 | 0 | 0 | 0 | 0 | 0 | 0 | 0 |

This register disables I²C bus interface. I²C bus interface is enabled in default. To disable I²C bus interface, write “00011011” to I2CDIS[7:0] bits. Then I²C bus interface is disabled. Once I²C bus interface is disabled, it is impossible to write other value to I2CDIS register. To enable I²C bus interface, reset AK09915D or input start condition 8 times continuously.

11.3.13. TS4: Test

| Addr. | Register name | D7 | D6 | D5 | D4 | D3 | D2 | D1 | D0 |
|---------------------|---------------|----|----|----|----|----|----|----|----|
| Read/Write register | | | | | | | | | |
| 37h | TS4 | - | - | - | - | - | - | - | - |
| Reset | | 0 | 0 | 0 | 0 | 0 | 0 | 0 | 0 |

TS4 register is test register for shipment test. Do not access this registers.

11.3.14. ASAX,ASAY,ASAZ: Dummy

| Addr. | Register name | D7 | D6 | D5 | D4 | D3 | D2 | D1 | D0 |
|--------------------|---------------|----|----|----|----|----|----|----|----|
| Read-only register | | | | | | | | | |
| 60h | ASAX | 1 | 0 | 0 | 0 | 0 | 0 | 0 | 0 |
| 61h | ASAY | 1 | 0 | 0 | 0 | 0 | 0 | 0 | 0 |
| 62h | ASAZ | 1 | 0 | 0 | 0 | 0 | 0 | 0 | 0 |
| Reset | | 1 | 0 | 0 | 0 | 0 | 0 | 0 | 0 |

ASAX, ASAY and ASAZ registers are dummy registers for ensuring the compatibility with other AKM compass.

These registers are fixed value (80h).

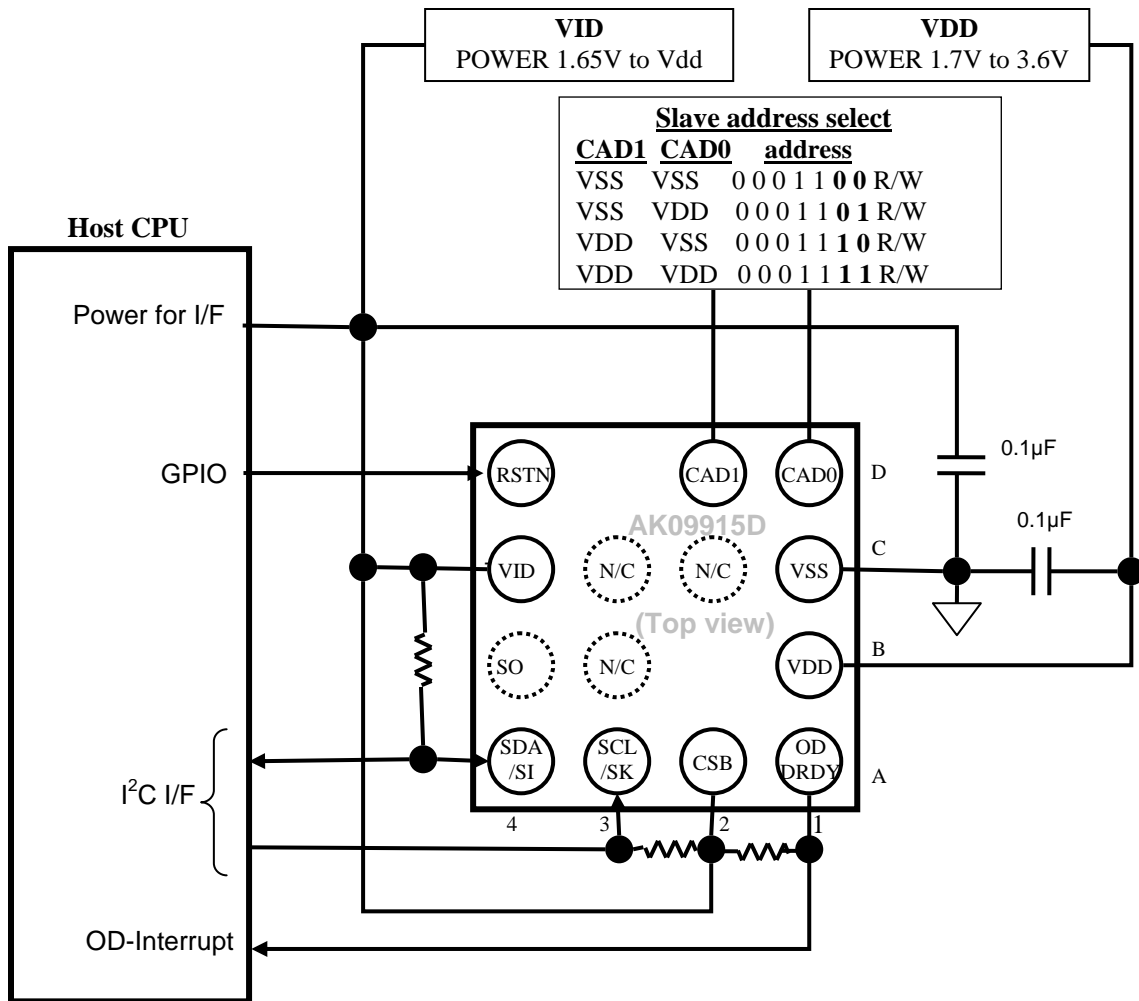
11.3.15. TPH1,TPH2,RR,SYT,DT: Test

| Addr. | Register name | D7 | D6 | D5 | D4 | D3 | D2 | D1 | D0 |
|---------------------|---------------|----|----|----|----|----|----|----|----|
| Read/Write register | | | | | | | | | |
| C0h | TPH1 | - | - | - | - | - | - | - | - |
| C1h | TPH2 | - | - | - | - | - | - | - | - |
| C3h | SYT | - | - | - | - | - | - | - | - |
| C4h | DT | - | - | - | - | - | - | - | - |
| Reset | | 0 | 0 | 0 | 0 | 0 | 0 | 0 | 0 |
| Ch2 | RR | - | - | - | - | - | - | - | - |
| Reset | | 0 | 0 | 0 | 0 | 0 | 0 | 1 | 1 |

TPH1, TPH2, RR, SYT and DT registers are AKM internal test registers. Do not access these registers.

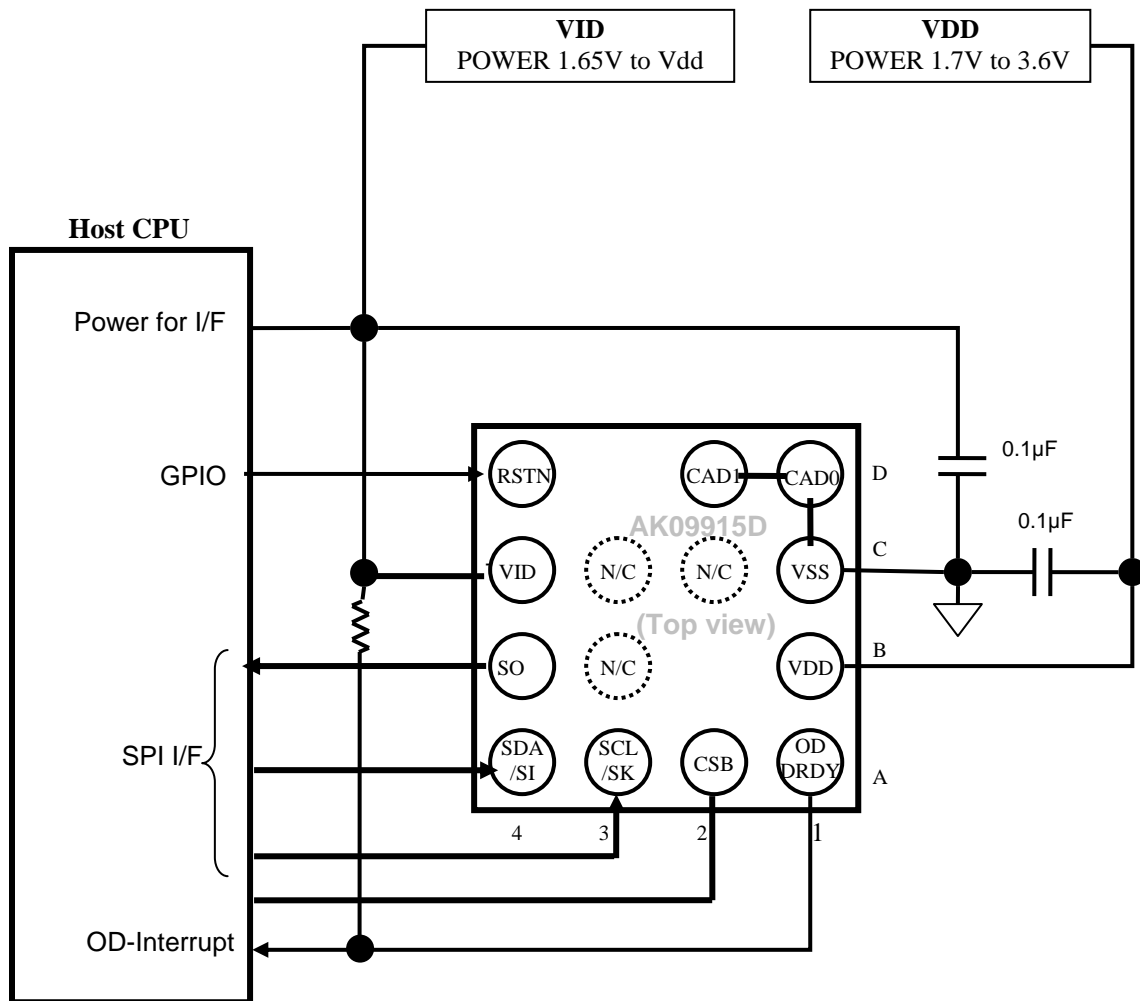
12. Example of Recommended External Connection

12.1. I²C Bus Interface



Pins of dot circle should be kept non-connected.

12.2. 4-wire SPI

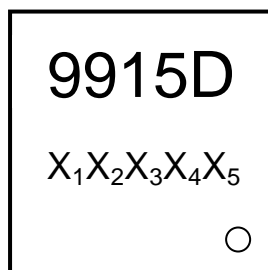


Pins of dot circle should be kept non-connected.

| |
|--------------------|
| 13. Package |
|--------------------|

13.1. Marking

Product name: 9915D

Date code: X₁X₂X₃X₄X₅X₁ = IDX₂ = Year codeX₃ = Month codeX₄X₅ = Lot

<Top view>

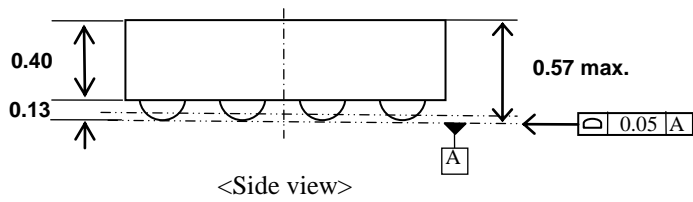
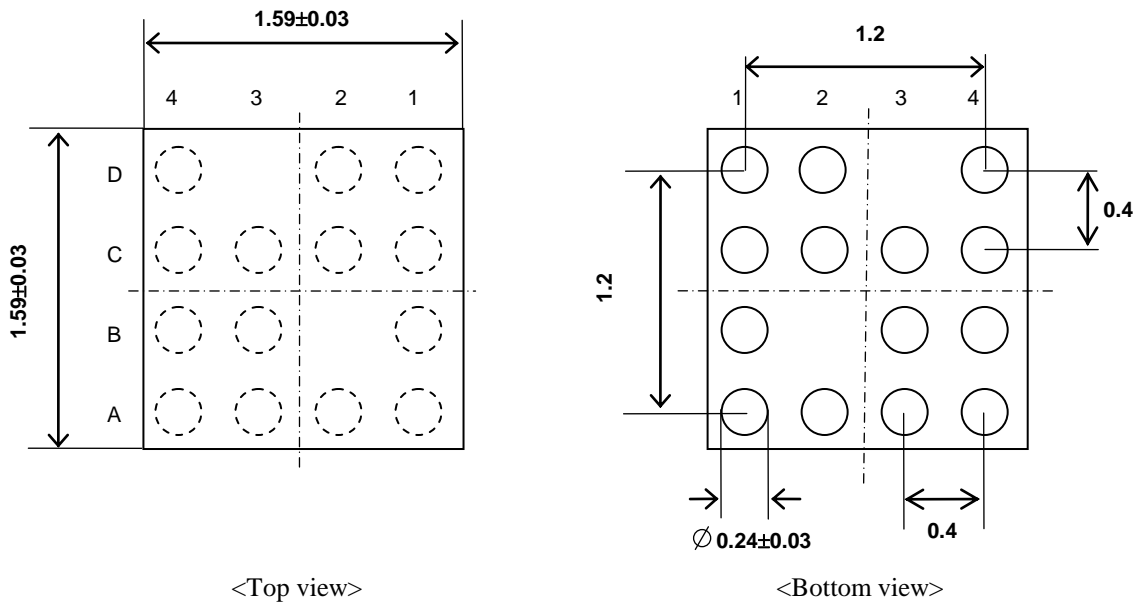
13.2. Pin Assignment

| | | | | |
|---|--------|--------|------|--------|
| | 4 | 3 | 2 | 1 |
| D | RSTN | / | CAD1 | CAD0 |
| C | VID | N/C | N/C | VSS |
| B | SO | N/C | / | VDD |
| A | SDA/SI | SCL/SK | CSB | ODDRDY |

<Top view>

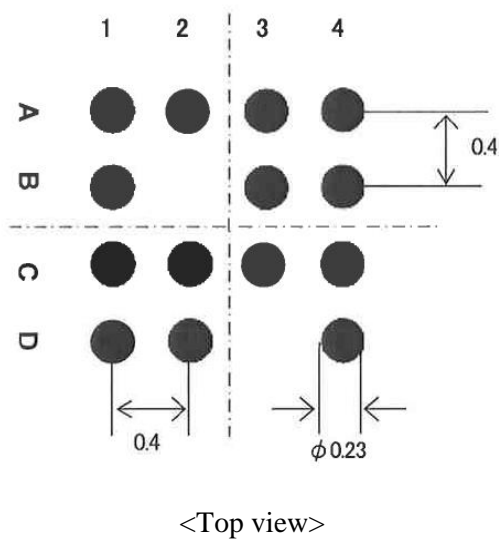
13.3. Outline Dimensions

[mm]



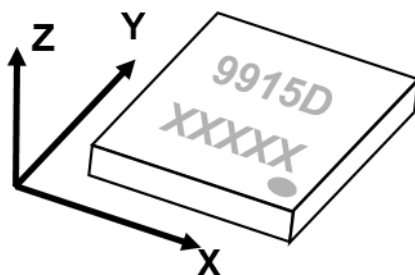
13.4. Recommended Foot Print Pattern

[mm]



14. Relationship between the Magnetic Field and Output Code

The measurement data increases as the magnetic flux density increases in the arrow directions.



IMPORTANT NOTICE

0. Asahi Kasei Microdevices Corporation (“AKM”) reserves the right to make changes to the information contained in this document without notice. When you consider any use or application of AKM product stipulated in this document (“Product”), please make inquiries the sales office of AKM or authorized distributors as to current status of the Products.
1. All information included in this document are provided only to illustrate the operation and application examples of AKM Products. AKM neither makes warranties or representations with respect to the accuracy or completeness of the information contained in this document nor grants any license to any intellectual property rights or any other rights of AKM or any third party with respect to the information in this document. You are fully responsible for use of such information contained in this document in your product design or applications. **AKM ASSUMES NO LIABILITY FOR ANY LOSSES INCURRED BY YOU OR THIRD PARTIES ARISING FROM THE USE OF SUCH INFORMATION IN YOUR PRODUCT DESIGN OR APPLICATIONS.**
2. The Product is neither intended nor warranted for use in equipment or systems that require extraordinarily high levels of quality and/or reliability and/or a malfunction or failure of which may cause loss of human life, bodily injury, serious property damage or serious public impact, including but not limited to, equipment used in nuclear facilities, equipment used in the aerospace industry, medical equipment, equipment used for automobiles, trains, ships and other transportation, traffic signaling equipment, equipment used to control combustions or explosions, safety devices, elevators and escalators, devices related to electric power, and equipment used in finance-related fields. Do not use Product for the above use unless specifically agreed by AKM in writing.
3. Though AKM works continually to improve the Product’s quality and reliability, you are responsible for complying with safety standards and for providing adequate designs and safeguards for your hardware, software and systems which minimize risk and avoid situations in which a malfunction or failure of the Product could cause loss of human life, bodily injury or damage to property, including data loss or corruption.
4. Do not use or otherwise make available the Product or related technology or any information contained in this document for any military purposes, including without limitation, for the design, development, use, stockpiling or manufacturing of nuclear, chemical, or biological weapons or missile technology products (mass destruction weapons). When exporting the Products or related technology or any information contained in this document, you should comply with the applicable export control laws and regulations and follow the procedures required by such laws and regulations. The Products and related technology may not be used for or incorporated into any products or systems whose manufacture, use, or sale is prohibited under any applicable domestic or foreign laws or regulations.
5. Please contact AKM sales representative for details as to environmental matters such as the RoHS compatibility of the Product. Please use the Product in compliance with all applicable laws and regulations that regulate the inclusion or use of controlled substances, including without limitation, the EU RoHS Directive. AKM assumes no liability for damages or losses occurring as a result of noncompliance with applicable laws and regulations.
6. Resale of the Product with provisions different from the statement and/or technical features set forth in this document shall immediately void any warranty granted by AKM for the Product and shall not create or extend in any manner whatsoever, any liability of AKM.
7. This document may not be reproduced or duplicated, in any form, in whole or in part, without prior written consent of AKM.