

SERIES: ACZ11 | **DESCRIPTION:** MECHANICAL INCREMENTAL ENCODER

ELECTRICAL SPECIFICATIONS

| parameter | conditions/description | min | typ | max | units |
|-------------------------|---|-----|-----|-----|-------|
| output waveform | square wave | | | | |
| output signals | A, B phase | | | | |
| current consumption | 10 mA | | | | |
| output phase difference | T1, T2, T3, T4 \geq 3.5 ms @ 60 rpm (see output waveform) | | | | |
| supply voltage | 5 V dc max. | | | | |
| output resolution | 12, 15, 20, 30 ppr | | | | |
| switch rating | 12 V dc, 50 mA (ACZ11BRXE models only) | | | | |
| insulation resistance | 300 V dc, 100 M Ω | | | | |
| withstand voltage | 300 V ac | | | | |

MECHANICAL SPECIFICATIONS

| parameter | conditions/description | min | typ | max | units |
|-------------------------------|---|----------|-----------|------------|----------------|
| shaft load | axial | | | 8 | kgf |
| rotational torque | with detent click without detent click | 60 60 | 140 80 | 220 100 | gf·cm gf·cm |
| push switch operational force | (ACZ11BRXE models only) | 300 | | 900 | gf·cm |
| push switch life | (ACZ11BRXE models only) | | | 50,000 | cycles |
| rotational life | | | | 30,000 | cycles |

ENVIRONMENTAL SPECIFICATIONS

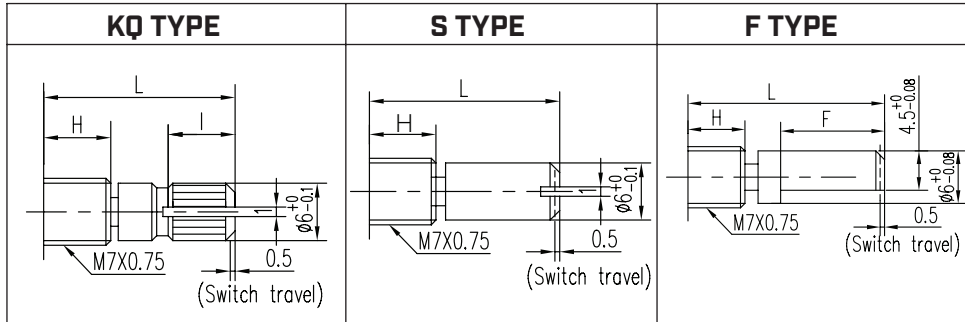
| parameter | conditions/description | min | typ | max | units |
|-----------------------|---------------------------------|-----|-----|-----|--------------|
| operating temperature | | -10 | | 65 | $^{\circ}$ C |
| storage temperature | | -40 | | 75 | $^{\circ}$ C |
| humidity | | 85 | | | % RH |
| vibration | 0.75 mm max. travel for 2 hours | 10 | | 55 | Hz |

PART NUMBER KEY



Replacement Hardware:
M7x0.75 Nut: 071-0068R
Washer: 071-0069R

SHAFT OPTIONS (VERSIONS WITH SWITCH)



H=5

| | 15KQ | 20KQ | 25KQ |
|---|------|------|------|
| L | 15 | 20 | 25 |
| I | 6 | 8.5 | 12 |

H=5

| | 15S | 20S | 25S |
|---|-----|-----|-----|
| L | 15 | 20 | 25 |

H=5

| | 15F | 20F | 25F |
|---|-----|-----|-----|
| L | 15 | 20 | 25 |
| F | 8 | 10 | 12 |

H=7

| | 15KQ | 20KQ | 25KQ |
|---|------|------|------|
| L | 15 | 20 | 25 |
| I | 5 | 8.5 | 10 |

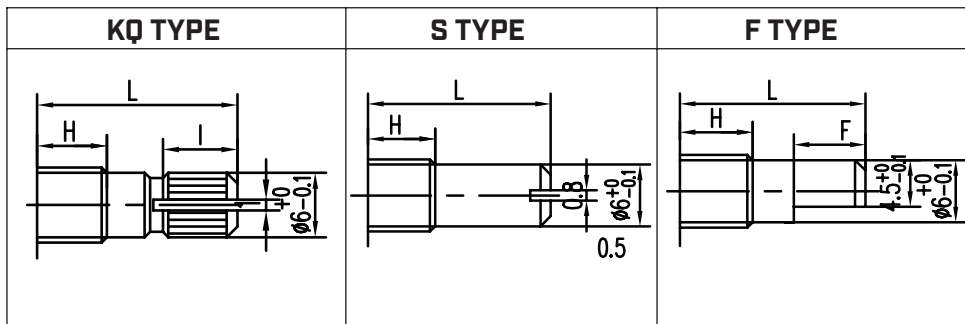
H=7

| | 15S | 20S | 25S |
|---|-----|-----|-----|
| L | 15 | 20 | 25 |

H=7

| | 15F | 20F | 25F |
|---|-----|-----|-----|
| L | 15 | 20 | 25 |
| F | 8 | 10 | 12 |

SHAFT OPTIONS (VERSIONS WITHOUT SWITCH)



H=5

| | 15KQ | 20KQ | 25KQ |
|---|------|------|------|
| L | 15 | 20 | 25 |
| I | 7 | 10 | 12 |

H=5

| | 15S | 20S | 25S |
|---|-----|-----|-----|
| L | 15 | 20 | 25 |

H=5

| | 15F | 20F | 25F |
|---|-----|-----|-----|
| L | 15 | 20 | 25 |
| F | 8 | 10 | 12 |

H=7

| | 15KQ | 20KQ | 25KQ |
|---|------|------|------|
| L | 15 | 20 | 25 |
| I | 5 | 10 | 10 |

H=7

| | 15S | 20S | 25S |
|---|-----|-----|-----|
| L | 15 | 20 | 25 |

H=7

| | 15F | 20F | 25F |
|---|-----|-----|-----|
| L | 15 | 20 | 25 |
| F | 8 | 10 | 12 |

OUTPUT WAVEFORM



CW direction (@ 60 rpm)

DETENT POSITIONS

Model 12C & 20C



CW direction →

Model 15P30C



CW direction →

SLIDING NOISE

$t =$ Masking time to avoid chatter (5mS) $V_1 = V_2 = 1V$ max.



SUGGESTED FILTER

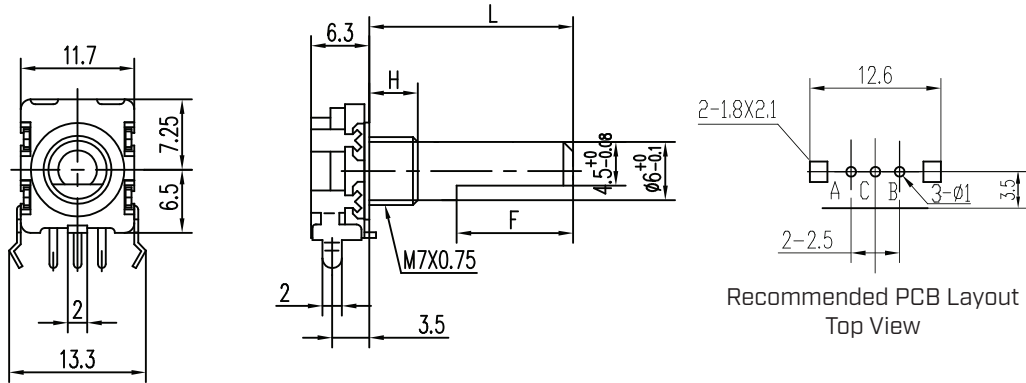


$R1, R2, R3, R4 = 10k\Omega$
 $C1, C2 = 0.01\mu F$

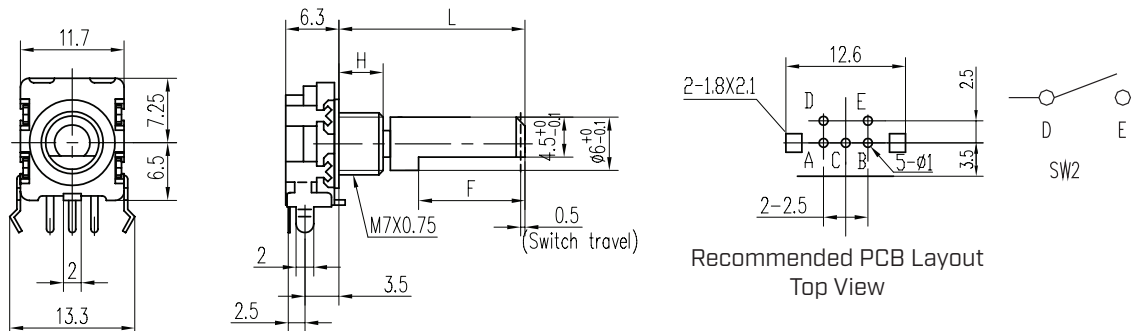
MECHANICAL DRAWING (HORIZONTAL)

units: mm
 tolerance:
 $X \leq 10$: ± 0.3 mm
 $10 < X \leq 30$: ± 0.5 mm
 Unless otherwise noted

ACZ11NBRXE



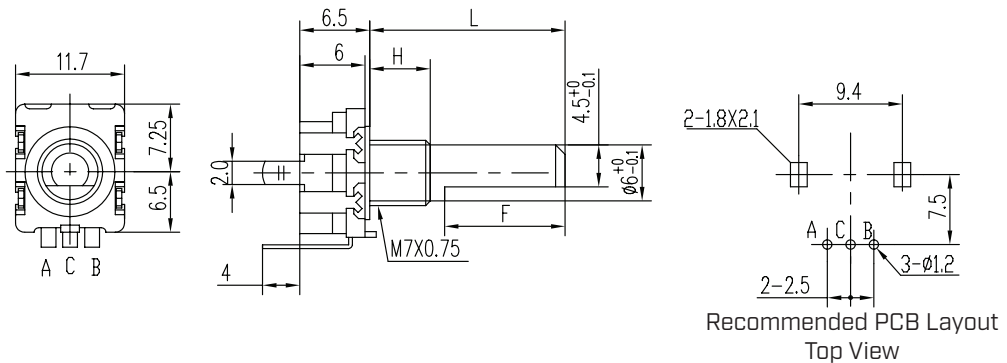
ACZ11BRXE



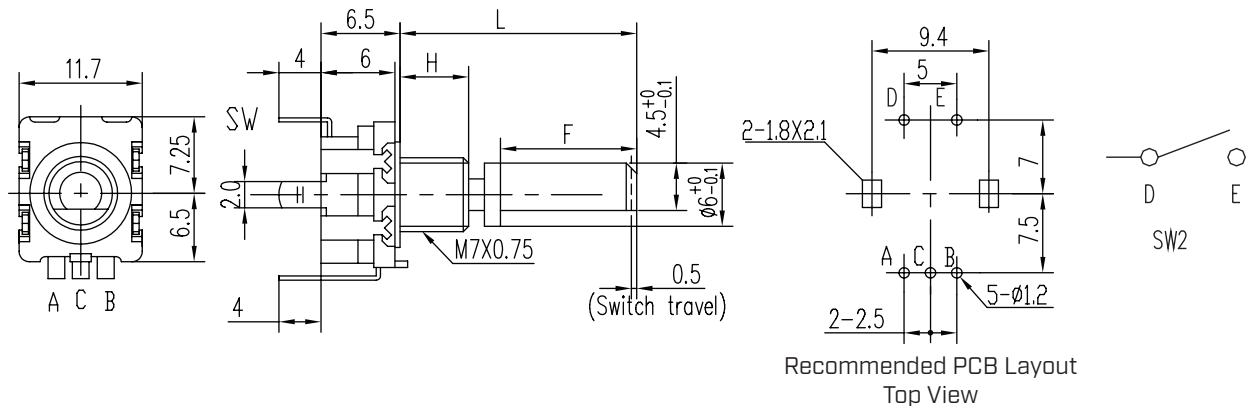
MECHANICAL DRAWING (VERTICAL)

units: mm
 tolerance:
 $X \leq 10$: ± 0.3 mm
 $10 < X \leq 30$: ± 0.5 mm
 Unless otherwise noted

ACZ11NBRXE



ACZ11BRXE



REVISION HISTORY

| rev. | description | date |
|------|--|------------|
| 1.0 | initial release | 10/30/2009 |
| 1.01 | brand update | 10/04/2019 |
| 1.02 | updated datasheet | 06/15/2020 |
| 1.03 | updated drawings; logo, datasheet style update | 09/08/2022 |

The revision history provided is for informational purposes only and is believed to be accurate.



CUI Devices offers a one (1) year limited warranty. Complete warranty information is listed on our website.

CUI Devices reserves the right to make changes to the product at any time without notice. Information provided by CUI Devices is believed to be accurate and reliable. However, no responsibility is assumed by CUI Devices for its use, nor for any infringements of patents or other rights of third parties which may result from its use.

CUI Devices products are not authorized or warranted for use as critical components in equipment that requires an extremely high level of reliability. A critical component is any component of a life support device or system whose failure to perform can be reasonably expected to cause the failure of the life support device or system, or to affect its safety or effectiveness.

cuidevices.com