

Valve connectors - SACC-V-3CON-PG9/BI



1527993

<https://www.phoenixcontact.com/us/products/1527993>

Please be informed that the data shown in this PDF document is generated from our Online Catalog. Please find the complete data in the user documentation. Our General Terms of Use for Downloads are valid.



Valve connectors, Universal, 3-position, Valve connector BI (11 mm), Screw connection, cable gland Pg9, external cable diameter 6 mm ... 8 mm

Commercial Data

Item number	1527993
Packing unit	1 pc
Minimum order quantity	1 pc
Sales Key	B07
Product Key	BF2DCA
Catalog Page	Page 110 (PC-2009)
GTIN	4017918981013
Weight per Piece (including packing)	21.62 g
Weight per Piece (excluding packing)	21.28 g
Customs tariff number	85366990
Country of origin	HU

Technical Data

Notes

Assembly instruction:

NOTE: Observe the permissible bending radii when laying conductors, since the degree of protection may be put in jeopardy if the bending forces are too high. Alleviate mechanical loads upstream of the connector, e.g. by using cable ties.

Product properties

Product type	Valve connector
Number of positions	3
No. of cable outlets	1
Shielded	no
Pg screw connection	Pg9

Insulation characteristics

Overvoltage category	II
Degree of pollution	3

Material specifications

Flammability rating according to UL 94	HB
Sealing material	NBR
Material housing valve plug	PA6
Contact material	CuSn
Valve plug contact insert material	PA6
Contact surface material	Ni

Dimensions

Dimensional drawing	
Width	20.5 mm
Height	26.5 mm
Length	50 mm

External dimensions

Outside diameter	6 mm ... 8 mm
------------------	---------------

Electrical properties

Contact resistance	$\leq 15 \text{ m}\Omega$
Insulation resistance	$\geq 100 \text{ M}\Omega$
Nominal voltage U_N	240 V AC
	240 V DC

Valve connectors - SACC-V-3CON-PG9/BI



1527993

<https://www.phoenixcontact.com/us/products/1527993>

Nominal current I_N	10 A
Protective circuit	unwired

LED signaling

Status display	No
Status display present	No

Connection data

Connection method	Screw connection
Conductor cross section	0.34 mm ² ... 1.5 mm ²
Connection cross section AWG	22 ... 16

Connector

Insertion/withdrawal cycles	50 (Valve connector)
-----------------------------	----------------------

Connection 1

Head design	Valve connector
Head thread type	BI (11 mm)

Environmental and real-life conditions

Ambient conditions

Degree of protection	IP65
Ambient temperature (operation)	-30 °C ... 100 °C (connector)

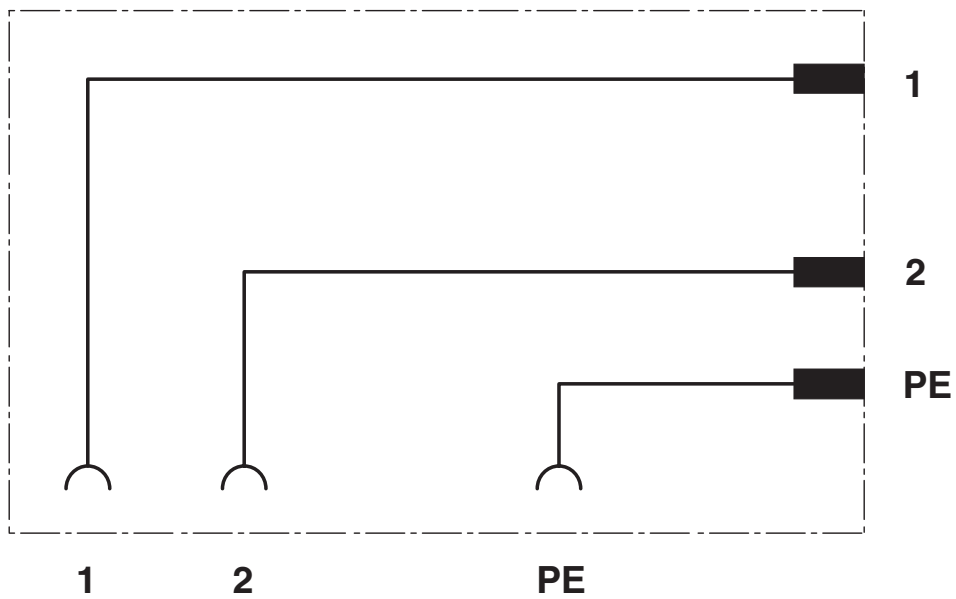
Valve connectors - SACC-V-3CON-PG9/BI

1527993

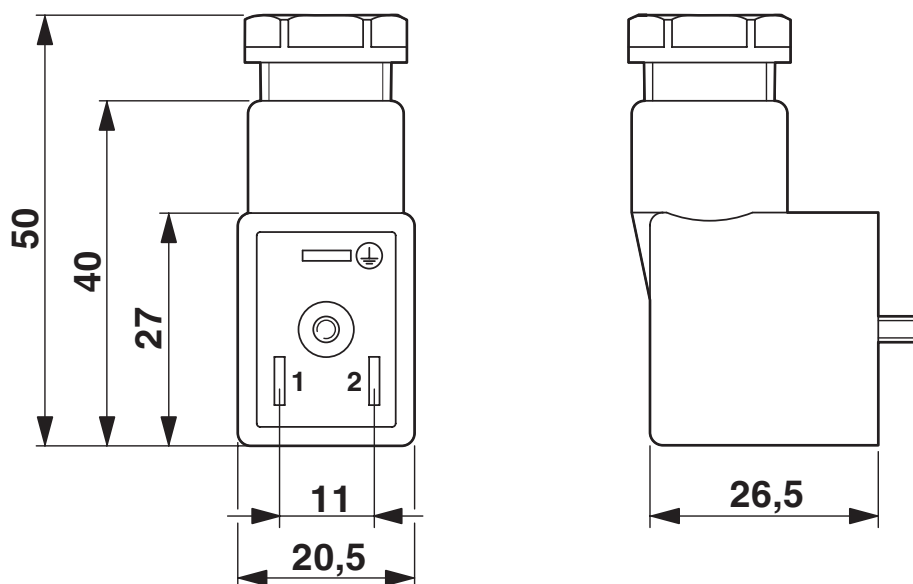
<https://www.phoenixcontact.com/us/products/1527993>

Drawings

Circuit diagram



Dimensional drawing




Valve connectors - SACC-V-3CON-PG9/BI




1527993

<https://www.phoenixcontact.com/us/products/1527993>

Approvals

 cUL Recognized Approval ID: File E 118976	Nominal Voltage U_N	Nominal Current I_N	Cross Section AWG	Cross Section mm^2
	250 V	10 A	-	-

 UL Recognized Approval ID: File E 118976	Nominal Voltage U_N	Nominal Current I_N	Cross Section AWG	Cross Section mm^2
	250 V	10 A	-	-

 EAC Approval ID: RU C-DE.BL08.B.00511

cULus Recognized

Valve connectors - SACC-V-3CON-PG9/BI



1527993

<https://www.phoenixcontact.com/us/products/1527993>

Classifications

ECLASS

ECLASS-9.0	27440105
ECLASS-10.0.1	27440105
ECLASS-11.0	27440105

ETIM

ETIM 8.0	EC003623
----------	----------

UNSPSC

UNSPSC 21.0	31251500
-------------	----------

Valve connectors - SACC-V-3CON-PG9/BI



1527993

<https://www.phoenixcontact.com/us/products/1527993>

Environmental Product Compliance

REACH SVHC	Lead 7439-92-1
China RoHS	Environmentally Friendly Use Period = 50 years
	For information on hazardous substances, refer to the manufacturer's declaration available under "Downloads"

Phoenix Contact 2022 © - all rights reserved

<https://www.phoenixcontact.com>

Phoenix Contact USA
586 Fulling Mill Road
Middletown, PA 17057, United States
(+717) 944-1300
info@phoenixcon.com