

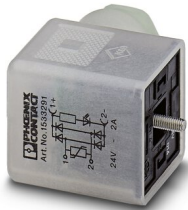
# Valve connectors - SACC-V-3CON-PG9/A-GVL 12/24



1533291

<https://www.phoenixcontact.com/us/products/1533291>

Please be informed that the data shown in this PDF document is generated from our Online Catalog. Please find the complete data in the user documentation. Our General Terms of Use for Downloads are valid.



Valve connectors, Universal, 3-position, Valve connector A, Screw connection, cable gland Pg9, external cable diameter 6 mm ... 8 mm

## Commercial Data

Item number	1533291
Packing unit	1 pc
Minimum order quantity	1 pc
Sales Key	B07
Product Key	BF2DAA
Catalog Page	Page 110 (PC-2009)
GTIN	4046356025980
Weight per Piece (including packing)	31.78 g
Weight per Piece (excluding packing)	31.78 g
Customs tariff number	85366990
Country of origin	HU

## Technical Data

### Notes

Assembly instruction:	<b>NOTE:</b> Observe the permissible bending radii when laying conductors, since the degree of protection may be put in jeopardy if the bending forces are too high. Alleviate mechanical loads upstream of the connector, e.g. by using cable ties.
-----------------------	--

### Product properties

Product type	Valve connector
Number of positions	3
No. of cable outlets	1
Shielded	no
Pg screw connection	Pg9

### Insulation characteristics

Overvoltage category	II
Degree of pollution	3

### Material specifications

Flammability rating according to UL 94	HB
Sealing material	NBR
Material housing valve plug	PA6
Contact material	CuSn
Valve plug contact insert material	PA6
Contact surface material	Ni

### Dimensions

#### External dimensions

Outside diameter	6 mm ... 8 mm
------------------	---------------

### Electrical properties

Contact resistance	≤ 15 mΩ
Insulation resistance	> 100 MΩ
Nominal voltage $U_N$	24 V AC
	24 V DC
Nominal current $I_N$	2 A
Protective circuit	Surge protection; Varistor and rectifier

### LED signaling

Status display	1 LED
Status display present	yes

### Connection data

# Valve connectors - SACC-V-3CON-PG9/A-GVL 12/24



1533291

<https://www.phoenixcontact.com/us/products/1533291>

Connection method	Screw connection
Conductor cross section	0.34 mm <sup>2</sup> ... 1.5 mm <sup>2</sup>
Connection cross section AWG	22 ... 16

## Connector

Insertion/withdrawal cycles	50 (Valve connector)
-----------------------------	----------------------

### Connection 1

Head design	Valve connector
Head thread type	A

## Environmental and real-life conditions

### Ambient conditions

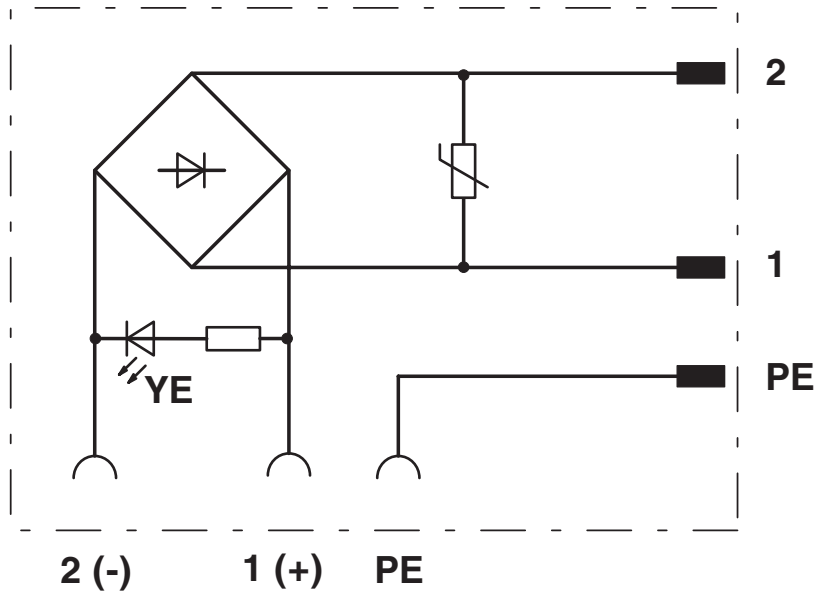
Degree of protection	IP65
Ambient temperature (operation)	-25 °C ... 85 °C (valve plug)

1533291

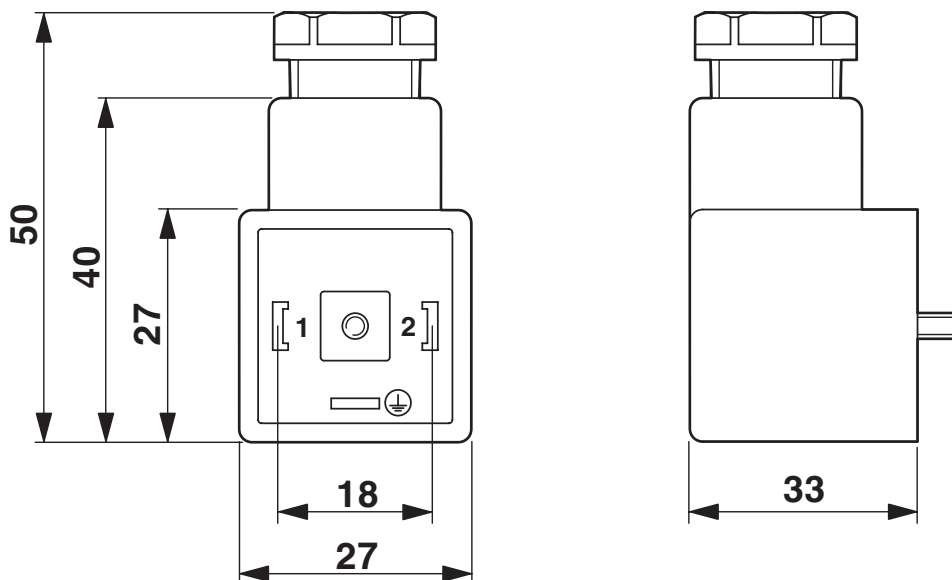
<https://www.phoenixcontact.com/us/products/1533291>

## Drawings

Circuit diagram



Dimensional drawing



1533291

<https://www.phoenixcontact.com/us/products/1533291>

## Classifications

### ECLASS

ECLASS-9.0	27440105
ECLASS-10.0.1	27440105
ECLASS-11.0	27440105

### ETIM

ETIM 8.0	EC003623
----------	----------

### UNSPSC

UNSPSC 21.0	31251500
-------------	----------

1533291

<https://www.phoenixcontact.com/us/products/1533291>

## Environmental Product Compliance

REACH SVHC	Lead 7439-92-1
China RoHS	Environmentally Friendly Use Period = 50 years
	For information on hazardous substances, refer to the manufacturer's declaration available under "Downloads"

Phoenix Contact 2022 © - all rights reserved

<https://www.phoenixcontact.com>

Phoenix Contact USA  
586 Fulling Mill Road  
Middletown, PA 17057, United States  
(+717) 944-1300  
[info@phoenixcon.com](mailto:info@phoenixcon.com)