

# Sensor/actuator box - SACB-10/3-L-SC-M8



1503409

<https://www.phoenixcontact.com/us/products/1503409>

Please be informed that the data shown in this PDF document is generated from our Online Catalog. Please find the complete data in the user documentation. Our General Terms of Use for Downloads are valid.



Sensor/actuator box, application: Standard, connection method: M8 socket Metal, number of slots: 10, number of positions: 3, coding: A - standard, slot assignment: single, status display: yes, pnp; master cable connection: Spring-cage connection 180°, shielding: no

## Your advantages

- Safety in the field, thanks to molded housing and high degree of protection
- Convenient: increased machine availability thanks to quick and easy diagnostics
- Flexible: distributor box with connector hood for on-site assembly

## Commercial Data

Item number	1503409
Packing unit	1 pc
Minimum order quantity	1 pc
Note	Made to Order (non-returnable)
Sales Key	B08
Product Key	BF3BCC
Catalog Page	Page 261 (C-2-2019)
GTIN	4017918966966
Weight per Piece (including packing)	217.4 g
Weight per Piece (excluding packing)	176.9 g
Customs tariff number	85366990
Country of origin	PL

## Technical Data

### Notes

Assembly instruction:	<b>NOTE:</b> Observe the permissible bending radii when laying conductors, since the degree of protection may be put in jeopardy if the bending forces are too high. Alleviate mechanical loads upstream of the connector, e.g. by using cable ties.
Note on application	Unused slots are to be sealed off prior to commissioning. Suitable sealing elements are to be found under "Accessories".

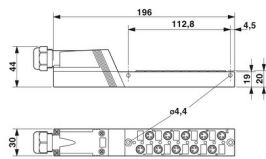
### Product properties

Product type	Distributor boxes with M8 to M12 slots
Number of positions	3
Application	Standard
Number of slots	10
Coding	A - standard

### Material specifications

Color	green
Flammability rating according to UL 94	V0
Material of threaded sleeve	Cu alloy
Material of threaded sleeve surface	Nickel-plated
Contact material	CuSn
Contact surface material	Ni/Au
Contact carrier material	PA
Material of contact, master cable side	CuZn
Material of the contact carrier on the master cable side	PA 6.6 V0
Material of contact surface, master cable side	NiSn
O-ring material	NBR
Material of the moulding mass	PUR
Housing material	PBT

### Dimensions

Dimensional drawing	
Width	30 mm
Height	44 mm
Length	196 mm

### Connection data

# Sensor/actuator box - SACB-10/3-L-SC-M8



1503409

<https://www.phoenixcontact.com/us/products/1503409>

## Pin assignment

Slot/position = Wire color or connection	1 / 4 (A) = 1 / 4
	2 / 4 (A) = 2 / 4
	3 / 4 (A) = 3 / 4
	4 / 4 (A) = 4 / 4
	5 / 4 (A) = 5 / 4
	6 / 4 (A) = 6 / 4
	7 / 4 (A) = 7 / 4
	8 / 4 (A) = 8 / 4
	9 / 4 (A) = 9 / 4
	10 / 4 (A) = 10 / 4
	1-10 / 1 (+24 V) = U <sub>N</sub>
	1-10 / 3 (0 V) = 0 V

## LED signaling

Status display present	yes
------------------------	-----

## Electrical properties

Max. operating voltage U <sub>max</sub>	30 V DC
Local diagnostics	Supply voltage Green LED
	Status display I/O Yellow LED
Nominal voltage U <sub>N</sub>	24 V DC
Rated current, total	6 A
Max. current carrying capacity per path	2 A
Current carrying capacity per slot	2 A

## Cable / line

Sensor/actuator connection system	M8 socket
Connection method	Spring-cage connection
External cable diameter	7 mm ... 11 mm
Metric conductor cross section (Signal)	0.14 mm <sup>2</sup> ... 0.5 mm <sup>2</sup>
Cross section AWG (Signal)	26 ... 20
Stripping length (signal)	11 mm
Metric conductor cross section (Power)	0.14 mm <sup>2</sup> ... 1 mm <sup>2</sup>
Cross section AWG (Power)	26 ... 18
Stripping length (power)	10 mm
Stripping length for sheath	70 mm (Master cable)
Tightening torque, cover screw	1 Nm
Tightening torque slot sensor/actuator cable	0.2 Nm
Tightening torque, union nut	2.5 Nm

## Standards and regulations

Standards/specifications	IEC 61076-2-104
--------------------------	-----------------

# Sensor/actuator box - SACB-10/3-L-SC-M8



1503409

<https://www.phoenixcontact.com/us/products/1503409>

## Ambient conditions

Degree of protection	IP65
	IP67
Ambient temperature (operation)	-30 °C ... 80 °C

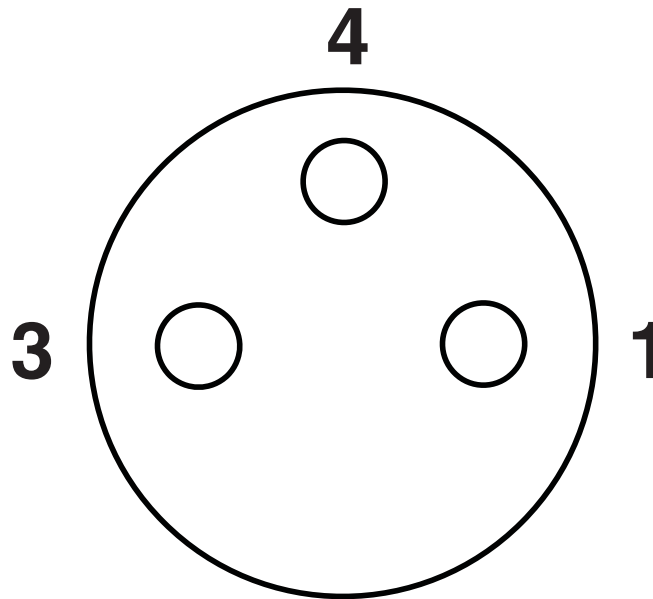
# Sensor/actuator box - SACB-10/3-L-SC-M8

1503409

<https://www.phoenixcontact.com/us/products/1503409>

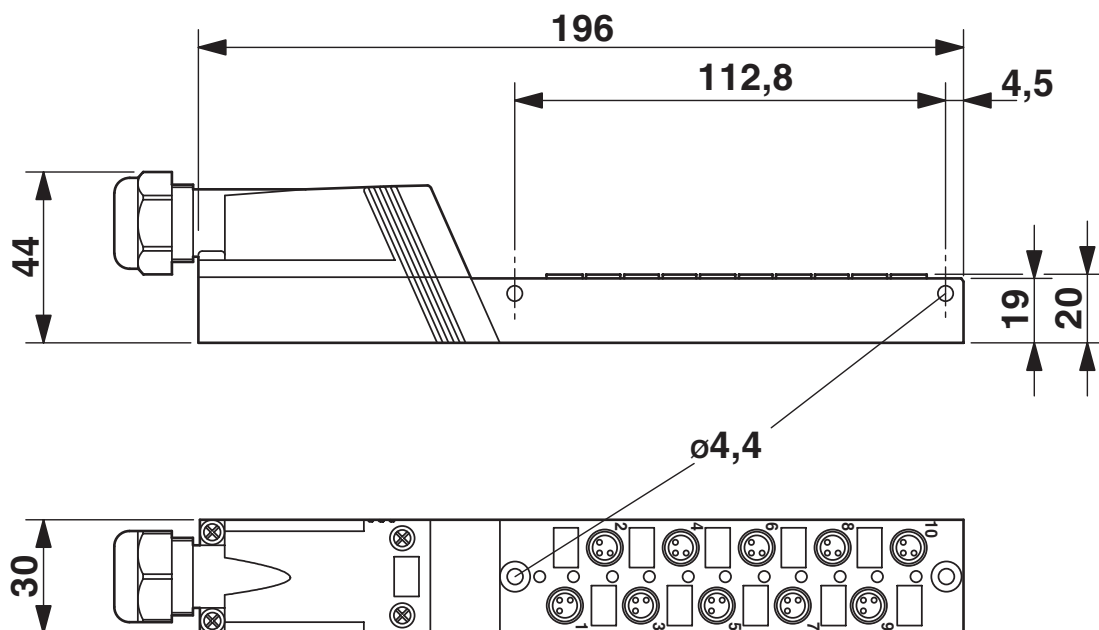
## Drawings

Schematic diagram



M8 slot, socket, 3-pos.

Dimensional drawing

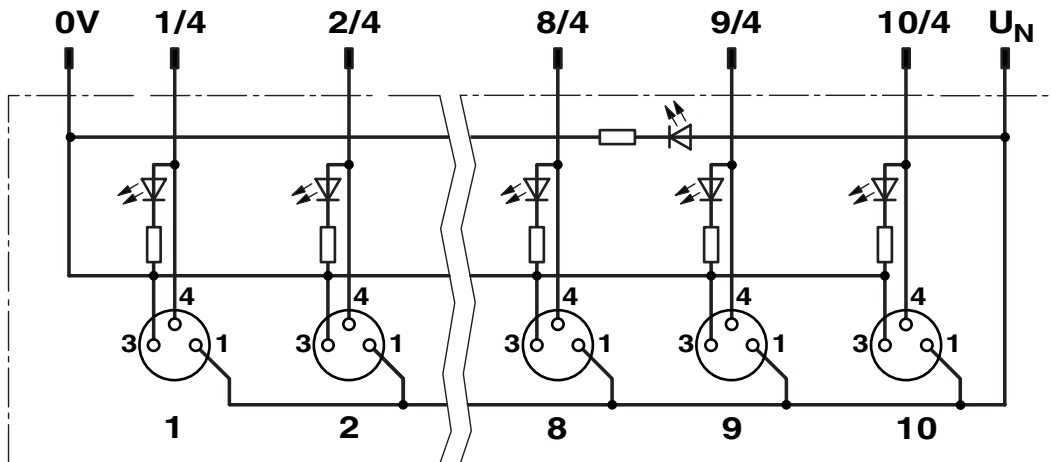


# Sensor/actuator box - SACB-10/3-L-SC-M8

1503409

<https://www.phoenixcontact.com/us/products/1503409>

Circuit diagram



# Sensor/actuator box - SACB-10/3-L-SC-M8



1503409

<https://www.phoenixcontact.com/us/products/1503409>

## Classifications

### ECLASS

ECLASS-9.0	27440108
ECLASS-10.0.1	27440111
ECLASS-11.0	27440111

### ETIM

ETIM 7.0	EC003558
----------	----------

### UNSPSC

UNSPSC 21.0	31251501
-------------	----------

# Sensor/actuator box - SACB-10/3-L-SC-M8



1503409

<https://www.phoenixcontact.com/us/products/1503409>

## Environmental Product Compliance

China RoHS	Environmentally Friendly Use Period = 50 years For information on hazardous substances, refer to the manufacturer's declaration available under "Downloads"
------------	--



# Sensor/actuator box - SACB-10/3-L-SC-M8



1503409

<https://www.phoenixcontact.com/us/products/1503409>

## Accessories

### Master cable ring

Master cable ring - SACB-10X0,34/2X0,75-50 PUR - 1517602

<https://www.phoenixcontact.com/us/products/1517602>



Master cable for sensor/actuator boxes, without PE conductor, unshielded, material PUR/PVC, 12-pos., 10 x 0.34 mm<sup>2</sup> and 2 x 0.75 mm<sup>2</sup>, length: 50 m

---

### Screw plug

Screw plug - PROT-M8 - 1682540

<https://www.phoenixcontact.com/us/products/1682540>



An M8 screw plug for the unoccupied M8 sockets of the sensor/actuator cable, boxes and flush-type connectors

# Sensor/actuator box - SACB-10/3-L-SC-M8

1503409

<https://www.phoenixcontact.com/us/products/1503409>

## Torque screwdriver

Torque screwdriver - TSD 02 SAC - 1208487

<https://www.phoenixcontact.com/us/products/1208487>



Torque screwdriver, with preset torque of 0.2 Nm and 4 mm hexagonal drive for M8 connectors

---

## Tool

Tool - SAC BIT M8-D10 - 1208461

<https://www.phoenixcontact.com/us/products/1208461>



Nut for assembling M8 connectors with longitudinal knurl and a knurl diameter of 10 mm, for 4 mm hexagonal drive

# Sensor/actuator box - SACB-10/3-L-SC-M8

1503409

<https://www.phoenixcontact.com/us/products/1503409>

## Tool

Tool - SACC BIT M8-D12 - 1208474

<https://www.phoenixcontact.com/us/products/1208474>



Nut for assembling M8 connectors with longitudinal knurl and a knurl diameter of 12 mm, for 4 mm hexagonal drive

---

## Marker for terminal blocks

Marker for terminal blocks - UC-TMF 10 - 0818124

<https://www.phoenixcontact.com/us/products/0818124>



Marker for terminal blocks, Sheet, white, unlabeled, can be labeled with: BLUEMARK ID COLOR, BLUEMARK ID, BLUEMARK CLED, PLOTMARK, CMS-P1-PLOTTER, mounting type: snapped, for terminal block width: 10.2 mm, lettering field size: 9.6 x 5.1 mm, Number of individual labels: 48

1503409

<https://www.phoenixcontact.com/us/products/1503409>

## Marker for terminal blocks

Marker for terminal blocks - UC-TMF 10 CUS - 0824662

<https://www.phoenixcontact.com/us/products/0824662>



Marker for terminal blocks, can be ordered: by sheet, white, labeled according to customer specifications, mounting type: snap into flat marker groove, for terminal block width: 10.2 mm, lettering field size: 9.6 x 5.1 mm, Number of individual labels: 48

---

## Marker for terminal blocks

Marker for terminal blocks - UCT-TMF 10 - 0829204

<https://www.phoenixcontact.com/us/products/0829204>



Marker for terminal blocks, Sheet, white, unlabeled, can be labeled with: TOPMARK NEO, TOPMARK LASER, BLUEMARK ID COLOR, BLUEMARK ID, BLUEMARK CLED, THERMOMARK PRIME, THERMOMARK CARD 2.0, THERMOMARK CARD, mounting type: snapped, for terminal block width: 10.2 mm, lettering field size: 9.4 x 4.7 mm, Number of individual labels: 36

1503409

<https://www.phoenixcontact.com/us/products/1503409>

## Marker for terminal blocks

Marker for terminal blocks - UCT-TMF 10 CUS - 0829679

<https://www.phoenixcontact.com/us/products/0829679>



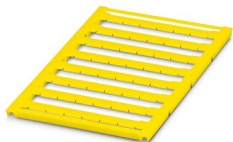
Marker for terminal blocks, can be ordered: by sheet, white, labeled according to customer specifications, mounting type: snap into flat marker groove, for terminal block width: 10.2 mm, lettering field size: 9.4 x 4.7 mm, Number of individual labels: 36

---

## Marker for terminal blocks

Marker for terminal blocks - UC-TMF 10 YE - 0818687

<https://www.phoenixcontact.com/us/products/0818687>



Marker for terminal blocks, Sheet, yellow, unlabeled, can be labeled with: BLUEMARK ID COLOR, BLUEMARK ID, BLUEMARK CLED, PLOTMARK, CMS-P1-PLOTTER, mounting type: snapped, for terminal block width: 10.2 mm, lettering field size: 9.6 x 5.1 mm, Number of individual labels: 48

# Sensor/actuator box - SACB-10/3-L-SC-M8

1503409

<https://www.phoenixcontact.com/us/products/1503409>

## Marker for terminal blocks

Marker for terminal blocks - UC-TMF 10 YE CUS - 0824668

<https://www.phoenixcontact.com/us/products/0824668>



Marker for terminal blocks, can be ordered: by sheet, yellow, labeled according to customer specifications, mounting type: snap into flat marker groove, for terminal block width: 10.2 mm, lettering field size: 9.6 x 5.1 mm, Number of individual labels: 48

---

## Marker for terminal blocks

Marker for terminal blocks - UCT-TMF 10 YE - 0829207

<https://www.phoenixcontact.com/us/products/0829207>



Marker for terminal blocks, Sheet, yellow, unlabeled, can be labeled with: TOPMARK NEO, TOPMARK LASER, BLUEMARK ID COLOR, BLUEMARK ID, BLUEMARK CLED, THERMOMARK PRIME, THERMOMARK CARD 2.0, THERMOMARK CARD, mounting type: snapped, for terminal block width: 10.2 mm, lettering field size: 9.4 x 4.7 mm, Number of individual labels: 36

# Sensor/actuator box - SACB-10/3-L-SC-M8

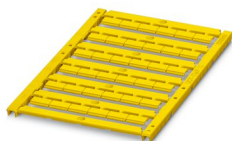
1503409

<https://www.phoenixcontact.com/us/products/1503409>

## Marker for terminal blocks

Marker for terminal blocks - UCT-TMF 10 YE CUS - 0829682

<https://www.phoenixcontact.com/us/products/0829682>



Marker for terminal blocks, can be ordered: by sheet, yellow, labeled according to customer specifications, mounting type: snap into flat marker groove, for terminal block width: 10.2 mm, lettering field size: 9.4 x 4.7 mm, Number of individual labels: 36

---

## Screwdriver

Screwdriver - SZK PZ2 VDE - 1206463

<https://www.phoenixcontact.com/us/products/1206463>



Screwdriver, PZ crosshead, VDE insulated, size: PZ 2 x 100 mm, 2-component grip, with non-slip grip

# Sensor/actuator box - SACB-10/3-L-SC-M8

1503409

<https://www.phoenixcontact.com/us/products/1503409>

## Torque screwdriver

Torque screwdriver - TSD-M 1,2NM - 1212224

<https://www.phoenixcontact.com/us/products/1212224>



Torque screw driver, accuracy as per EN ISO 6789 standard, adjustable from 0.3 - 1.2 Nm

---

## Torque screwdriver

Torque screwdriver - TSD 25 SAC - 1212315

<https://www.phoenixcontact.com/us/products/1212315>



Torque screwdriver, with preset torque of 2.5 Nm and 4 mm hexagonal drive for the pressure nut of the connector hood



# Sensor/actuator box - SACB-10/3-L-SC-M8

1503409

<https://www.phoenixcontact.com/us/products/1503409>

## Tool

Tool - SAC BIT HOOD-W 24 - 1212486

<https://www.phoenixcontact.com/us/products/1212486>

Nut for assembling pressure nuts with 24 mm wrench size, for 4 mm hexagonal drive



---

## Torque screwdriver

Torque screwdriver - TSD-M 3NM - 1212225

<https://www.phoenixcontact.com/us/products/1212225>

Torque screw driver, accuracy as per EN ISO 6789 standard, adjustable from 1.2 - 3 Nm



# Sensor/actuator box - SACB-10/3-L-SC-M8



1503409

<https://www.phoenixcontact.com/us/products/1503409>

## Adapter insert

Adapter insert - TSD-M SAC-BIT ADAPTER - 1212600

<https://www.phoenixcontact.com/us/products/1212600>



Adapter bit for TSD-M...torque tools, E6.3-1/4" drive with 4 mm hexagon to accommodate SAC bits

---

## Screw insert

Screw insert - SF-BIT-PZ 2-50 - 1212592

<https://www.phoenixcontact.com/us/products/1212592>



Screw bit, PZ crosshead, E6.3-1/4" drive, size: PZ 2 x 50 mm, hardened, suitable for holder according to DIN 3126-F6.3/ISO 1173

---

Phoenix Contact 2022 © - all rights reserved  
<https://www.phoenixcontact.com>

Phoenix Contact USA  
586 Fulling Mill Road  
Middletown, PA 17057, United States  
(+717) 944-1300  
[info@phoenixcon.com](mailto:info@phoenixcon.com)