

# Sensor/actuator cable - SAC-3P- 1,0-PUR/CI-1L-Z 110V



1438875

<https://www.phoenixcontact.com/us/products/1438875>

Please be informed that the data shown in this PDF document is generated from our Online Catalog. Please find the complete data in the user documentation. Our General Terms of Use for Downloads are valid.



Sensor/actuator cable, 3-position, PUR halogen-free, black-gray RAL 7021, free cable end, on Valve connector CI (9.4 mm), with 1 LED, connected with Z diode, cable length: 1 m

## Commercial Data

Item number	1438875
Packing unit	1 pc
Minimum order quantity	25 pc
Note	Made to Order (non-returnable)
Sales Key	B06
Product Key	BF1DFA
GTIN	4046356505130
Weight per Piece (including packing)	46.3 g
Weight per Piece (excluding packing)	45.4 g
Customs tariff number	85444290
Country of origin	PL

# Sensor/actuator cable - SAC-3P- 1,0-PUR/CI-1L-Z 110V



1438875

<https://www.phoenixcontact.com/us/products/1438875>

## Technical Data

### Product properties

Number of positions	3
No. of cable outlets	1
Shielded	no

### Insulation characteristics

Overvoltage category	III
Degree of pollution	3

### Electrical properties

Contact resistance	$\leq 5 \text{ m}\Omega$
Insulation resistance	$\geq 100 \text{ M}\Omega$
Nominal voltage $U_N$	110 V AC
	110 V DC
Nominal current $I_N$	4 A
Protective circuit	Z diode

### LED signaling

Status display	1 LED
Status display present	yes

### Material specifications

Flammability rating according to UL 94	V0
Sealing material	TPU (Seal molded)
Material housing valve plug	TPU
Contact material	CuSn
Valve plug contact insert material	PA 6.6
Contact surface material	Sn

### Connector

#### Connection 1

Head design	free cable end
-------------	----------------

#### Connection 2

Head design	Valve connector
Head thread type	CI (9.4 mm)
Status indicator head	1 LED

### Cable / line

Cable length	1 m
--------------	-----

#### PUR halogen-free black [PUR]

Cable weight	30 kg/km
--------------	----------

# Sensor/actuator cable - SAC-3P- 1,0-PUR/CI-1L-Z 110V



1438875

<https://www.phoenixcontact.com/us/products/1438875>

UL AWM Style	20549
Number of positions	3
Shielded	no
Cable type	PUR halogen-free black [PUR]
Conductor structure signal line	28x 0.15 mm
AWG signal line	20
Conductor cross section	3x 0.5 mm <sup>2</sup>
Wire diameter incl. insulation	1.5 mm ±0.05 mm (Signal line)
External cable diameter	4.5 mm ±0.2 mm
Outer sheath, material	PUR
External sheath, color	black-gray RAL 7021
Conductor material	Bare Cu litz wires
Material wire insulation	PP
Single wire, color	black 1, black 2, green/yellow
Overall twist	3 wires, twisted
Max. conductor resistance	39 Ω/km (at 20 °C)
Insulation resistance	min. 20 MΩ*km
Nominal voltage, cable	≤ 300 V
Test voltage	≥ 1200 V
Minimum bending radius, fixed installation	5 x D
Minimum bending radius, flexible installation	10 x D
Smallest bending radius, fixed installation	22.5 mm
Max. bending cycles	15000000
Halogen-free	in accordance with DIN VDE 0472 part 815
Flame resistance	according to DIN VDE 0482 According to DIN EN 50265-2-1
Resistance to oil	in accordance with DIN EN 60811-2-1
Other resistance	largely oil-resistant partly UV-resistant in accordance with DIN EN ISO 4892-2-A
Ambient temperature (operation)	-40 °C ... 80 °C (cable, fixed installation) -20 °C ... 80 °C (Cable, flexible installation)

## Environmental and real-life conditions

### Ambient conditions

Degree of protection	IP65
	IP67
Ambient temperature (operation)	-20 °C ... 85 °C (valve plug)
	-40 °C ... 80 °C (cable, fixed installation)
	-15 °C ... 80 °C (Cable, flexible installation)

# Sensor/actuator cable - SAC-3P- 1,0-PUR/CI-1L-Z 110V

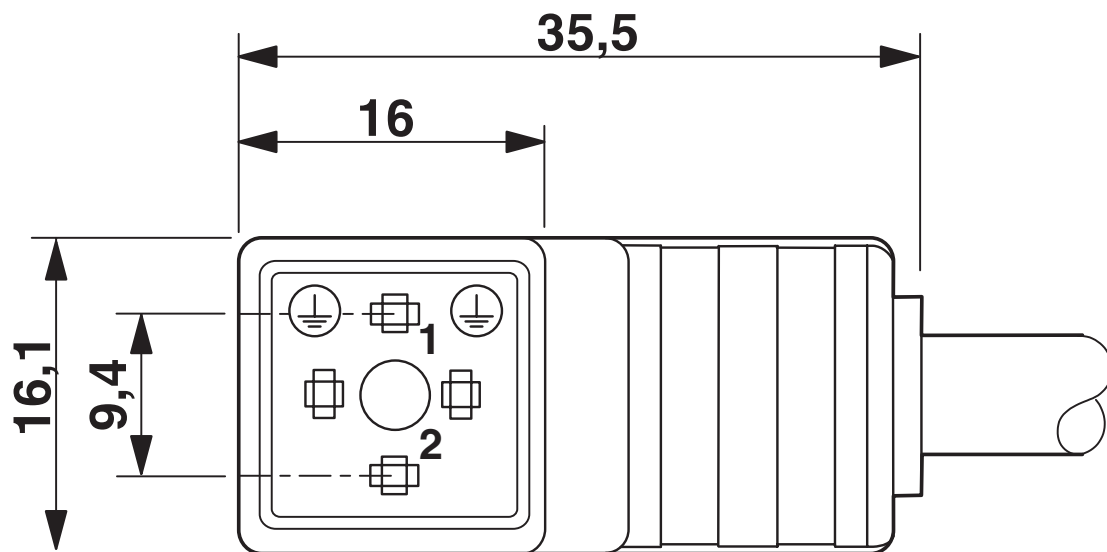


1438875

<https://www.phoenixcontact.com/us/products/1438875>

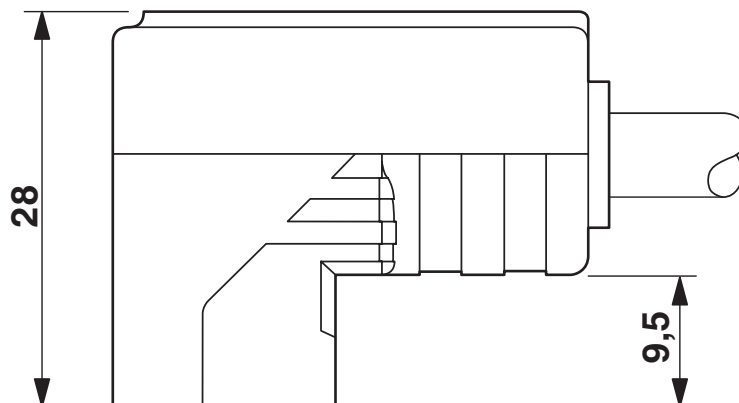
## Drawings

Dimensional drawing



Valve connector, type CI

Dimensional drawing



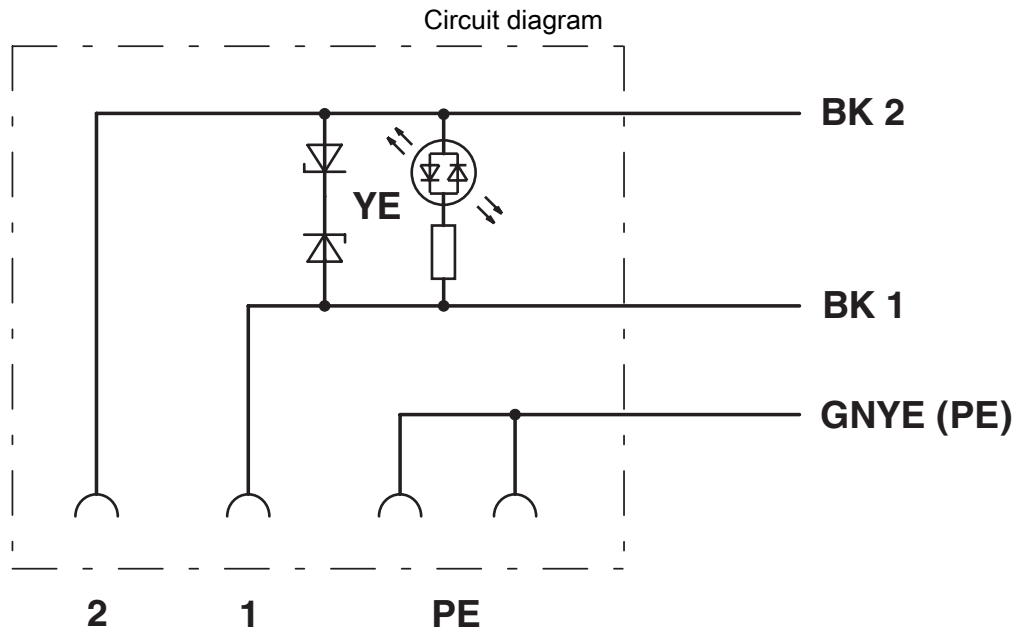
Valve connector, type CI, side view

# Sensor/actuator cable - SAC-3P- 1,0-PUR/CI-1L-Z 110V

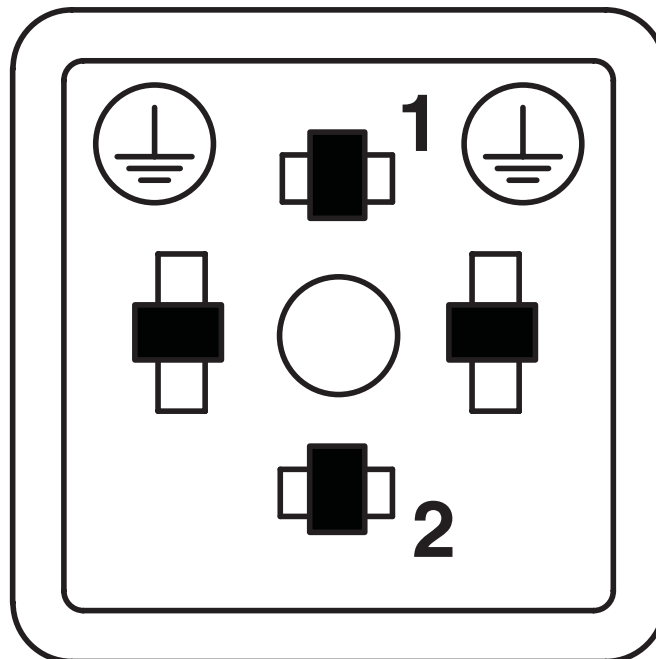


1438875

<https://www.phoenixcontact.com/us/products/1438875>



Schematic diagram



Valve connector connector pin assignment, type CI

# Sensor/actuator cable - SAC-3P- 1,0-PUR/CI-1L-Z 110V



1438875

<https://www.phoenixcontact.com/us/products/1438875>

## Classifications

### ECLASS

ECLASS-9.0	27060311
ECLASS-11.0	27060312

### ETIM

ETIM 7.0	EC001855
----------	----------

# Sensor/actuator cable - SAC-3P- 1,0-PUR/CI-1L-Z 110V



1438875

<https://www.phoenixcontact.com/us/products/1438875>

## Accessories

### Screw

Screw - SAC-V-SCREW-M3-29 KNURL - 1403779

<https://www.phoenixcontact.com/us/products/1403779>

Fillister head screw with plastic knurl, M3 x 40



---

Phoenix Contact 2022 © - all rights reserved  
<https://www.phoenixcontact.com>

Phoenix Contact USA  
586 Fulling Mill Road  
Middletown, PA 17057, United States  
(+717) 944-1300  
[info@phoenixcon.com](mailto:info@phoenixcon.com)