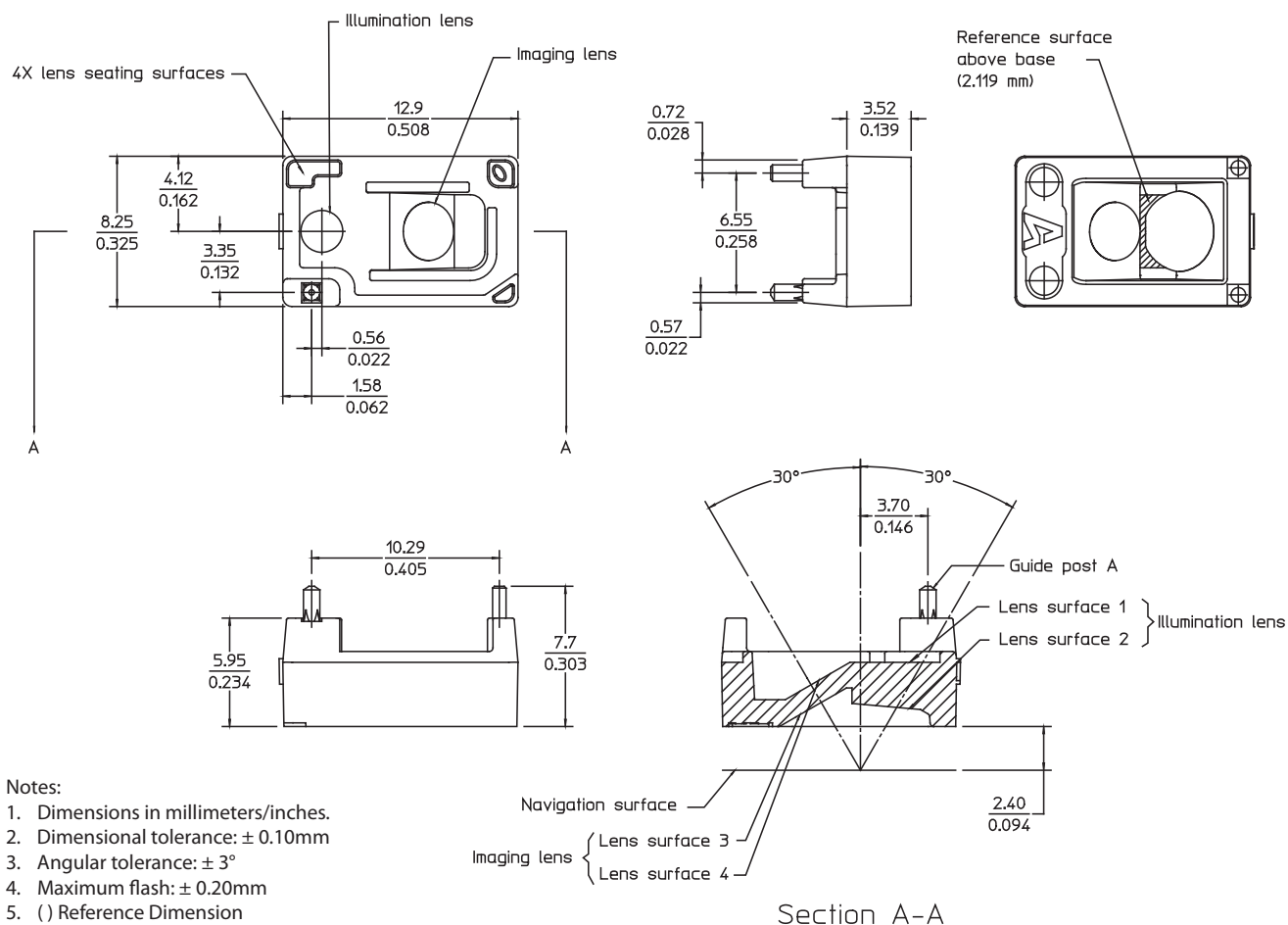


**Data Sheet**



**Description**

The ADNS-6150 small form factor (SFF) laser mouse lens is designed for use with Avago Technologies ADNS-7530 and ADNS-7550 LaserStream™ sensors. Together with the VCSEL, the ADNS-6150 SFF lens provides the directed illumination and optical imaging necessary for proper operation of the sensor. ADNS-6150 SFF lens is a precision molded optical component and should be handled with care to avoid scratching of the optical surfaces.



**Figure 1. ADNS-6150 SFF lens outline drawings and details**

## Mechanical Assembly Requirements

All specifications reference Figure 2 and Figure 3, Optical System Assembly Diagram

Parameters	Symbol	Min.	Typ.	Max.	Units	Conditions
Distance from Object Surface to Lens Reference Plane	A	2.18	2.40	2.62	mm	For ADNS-6150 with ADNS-7550 and ADNS-7530 sensors
Distance from Object Surface to Sensor Pin Reference Plane	B		8.35		mm	ADNS-7550 or ADNS-7530 Sensor Pin Reference Plane must be in contact with Lens Housing Surface

## Lens Design Optical Performance Specifications

All specifications are based on the Mechanical Assembly Requirements.

Parameters	Symbol	Min.	Typ.	Max.	Units	Conditions
Design Wavelength	$\lambda$		842		nm	
Lens Material* Index of Refraction	N	1.5693	1.5713	1.5735		$\lambda = 842 \text{ nm}$

\*Lens material is polycarbonate. Cyanoacrylate based adhesives should not be used as they will cause lens material deformation.

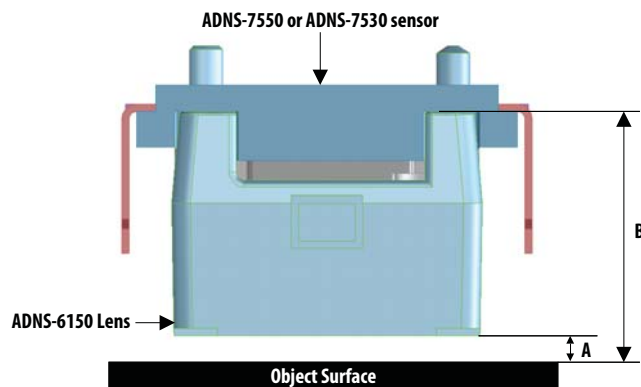


Figure 2. ADNS-7550 and ADNS-7530 optical system assembly (front view)

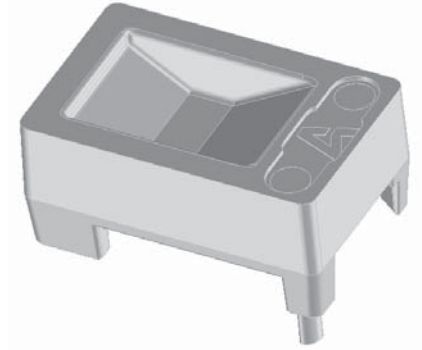


Figure 3. Avago Technologies logo location

## Mounting Instructions for the ADNS-6150 SFF Laser Mouse Lens to the Base Plate

An STEP or IGES format drawing file with design specifications for laser mouse base plate features is available. These features are useful in maintaining proper positioning and alignment of the ADNS-6150 SFF lens when used with the Avago Technologies ADNS-7530 or ADNS-7550 LaserStream™ sensor. This file can be obtained by contacting your local Avago Technologies sales representative.

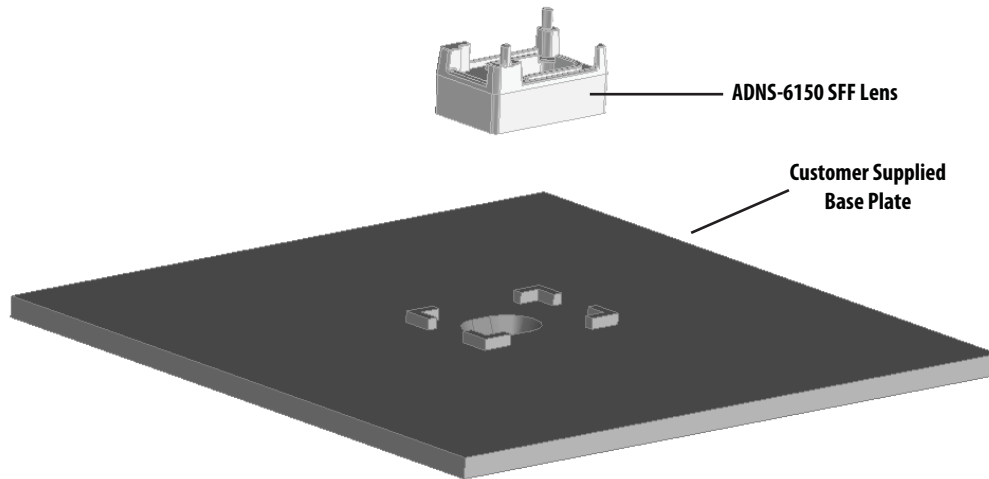


Figure 4. Illustration of base plate mounting features for ADNS-6150 SFF lens

For product information and a complete list of distributors, please go to our web site: [www.avagotech.com](http://www.avagotech.com)

Avago, Avago Technologies, and the A logo are trademarks of Avago Technologies Limited in the United States and other countries. Data subject to change. Copyright © 2005-2011 Avago Technologies Limited. All rights reserved. AV02-0686EN - October 11, 2011

**Avago**  
TECHNOLOGIES

# Mouser Electronics

Authorized Distributor

Click to View Pricing, Inventory, Delivery & Lifecycle Information:

[Avago Technologies:](#)

[ADNS-6150](#)