

FEATURES

- TO-8 Hermetic Package
- Circular Active Area
- Low Capacitance

Electro-Optical Characteristics at 25°C

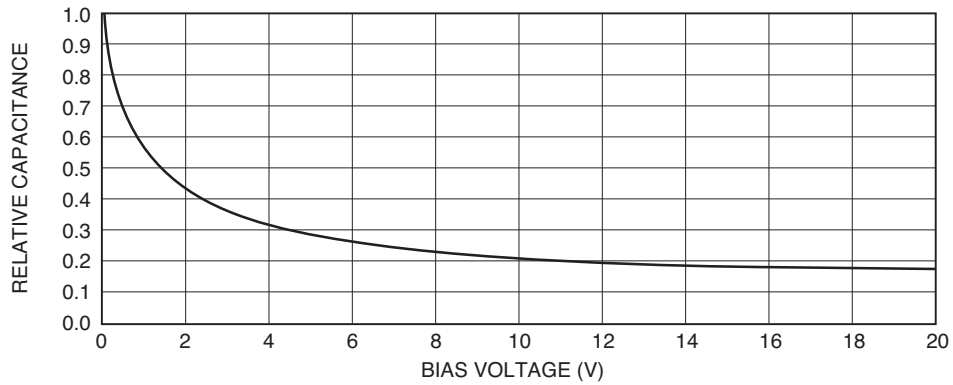
| Parameters | Test Conditions | Min | Typ | Max | Units |
|---|------------------------|-----|------|-----|-----------------|
| Active Area | 4 mm Dia. | | 12 | | mm ² |
| Responsivity | @ 450 nm | 0.2 | 0.28 | | A/W |
| Dark Current, I _{dr} | V _R = 10 V | | 3 | 7 | nA |
| Reverse Breakdown Voltage, V _R | I _R = 10 μA | 25 | 60 | | Volts |
| Capacitance, C | V _R = 10 V | | 25 | | pF |
| Rise Time | V _R = 10 V | | 15 | | nsec |
| Series Resistance | V _f = 1 V | | 35 | 100 | Ohms |

Thermal Parameters

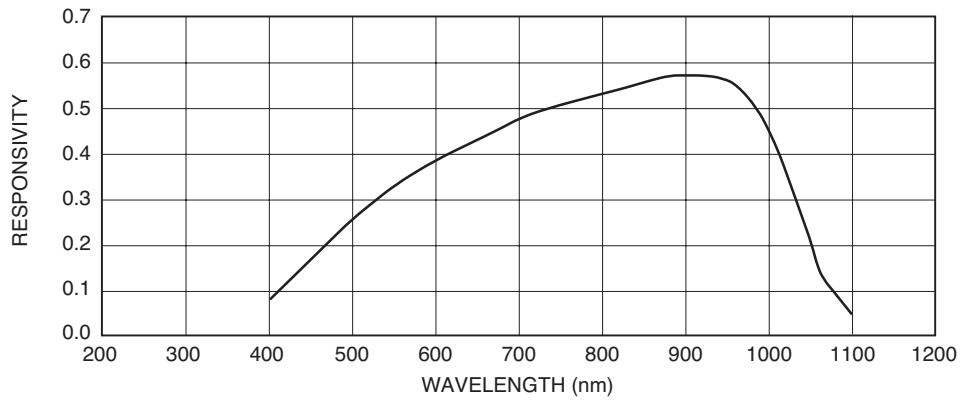
| Parameters | Units |
|---|----------------|
| Storage and Operating Temperature Range | -55°C to 100°C |
| Maximum Junction Temperature | 100°C |
| Lead Soldering Temperature ¹ | 260°C |

¹ 1/16" from case for 10 seconds.

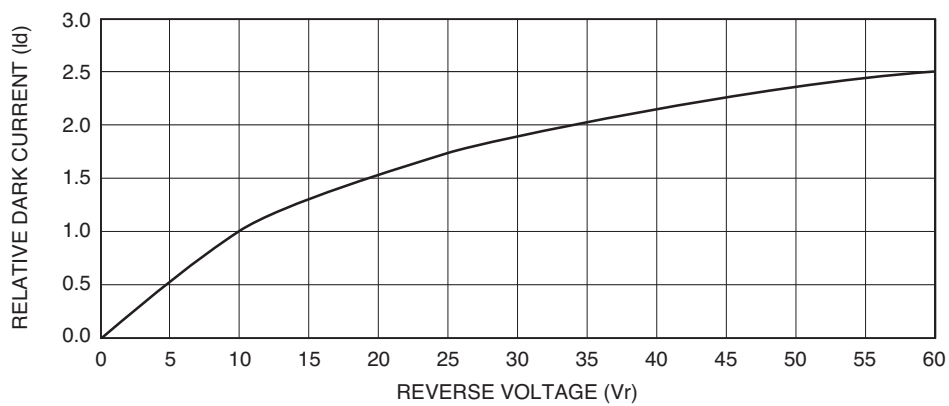
Capacitance vs Bias Voltage



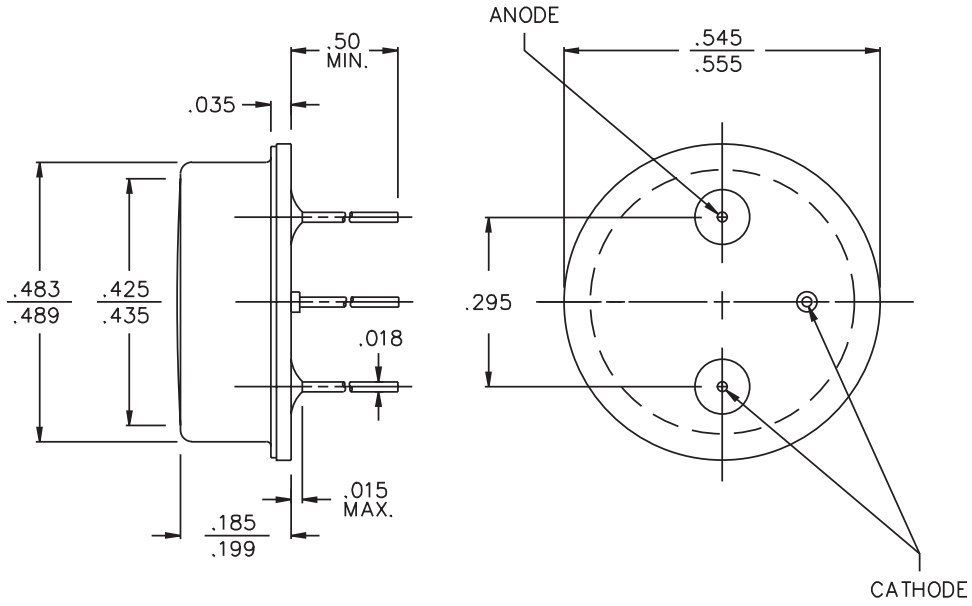
Typical Spectral Response



Dark Current vs Voltage



Package Information



Dimensions are in inch [metric] units.

Specifications are subject to change without prior notice.