

GENERAL OPERATING CHARACTERISTICS

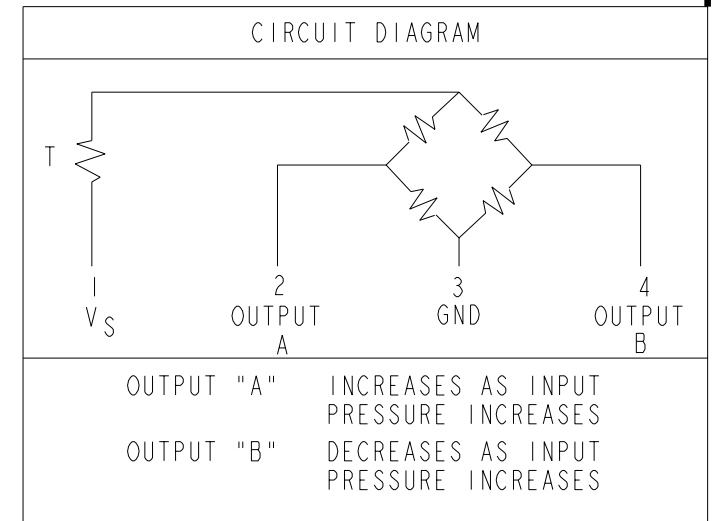
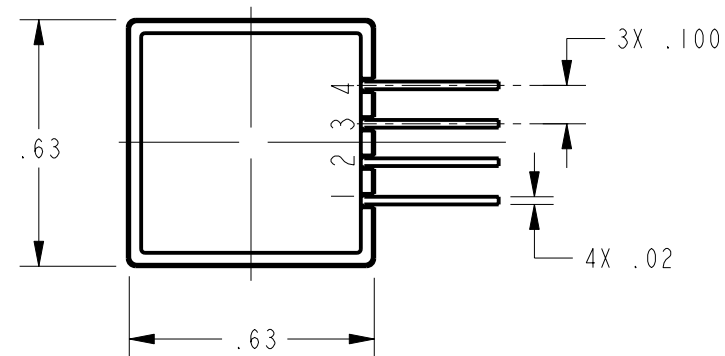
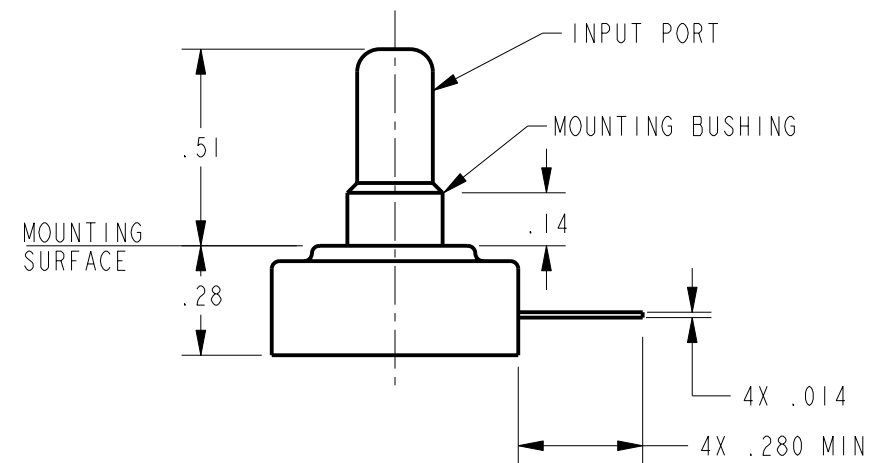
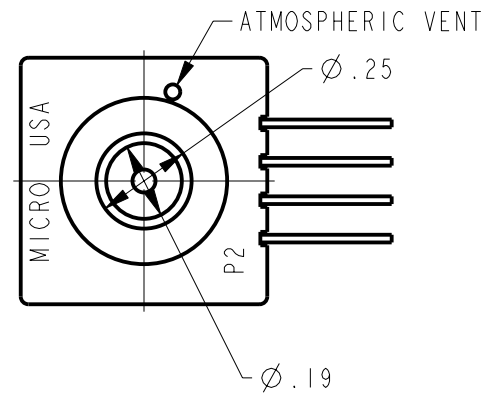
PRESSURE RANGE	0 TO 5170 mmHg (0 TO 100 PSIG)
OVERPRESSURE	7755 mmHg (150 PSI)
TEMPERATURE RANGES	
STORAGE	-55° TO +125°C
OPERATE	-40° TO +85°C
COMPENSATED	0°C TO +50°C
SUPPLY VOLTAGE	16 VDC MAX
INPUT RESISTANCE	6800 OHM TYP

ELECTRICAL PERFORMANCE AT 10.00±.01 VDC SUPPLY AND +25°C

NULL OFFSET	0 ± 1 mV (AT 0 PSI)
F.S.O. ∇ 3	100 ± 4 mV (0 TO 100 PSI)
LINEARITY (BFSL)	
INPUT > VENT	± .4% F.S.O. MAX ∇ 3
HYSTERESIS & REPEATABILITY	± .15% F.S.O. TYP ∇ 3

TEMPERATURE ERROR (25°C TO 0°C OR 25°C TO 50°C)

NULL SHIFT	± 2 mV MAX
SENSITIVITY SHIFT	± 3.0% F.S.O. MAX ∇ 3



NOTES

- 1 - TERMINALS ARE PLATED FOR SOLDERING
- 2 - LIMIT SOLDERING TO 315°C MAX FOR 10 SECONDS MAX
- 3 ∇ F.S.O. IS THE ALGEBRAIC DIFFERENCE BETWEEN THE OUTPUT END POINTS (NULL AND FULL PRESSURE)
- 4 - INPUT MEDIA LIMITED ONLY TO THOSE MEDIA THAT WILL NOT ATTACK POLYESTER, SILICON OR EPOXY

THIRD ANGLE PROJECTION	
SCALE 2:1	
DO NOT SCALE PRINT	
UNLESS OTHERWISE SPECIFIED TOLERANCES ARE	
ONE PLACE (.0)	±.030
TWO PLACE (.00)	±.015
THREE PLACE (.000)	±.005
ANGLES	±
WEIGHT	

CATALOG LISTING
136PC100G2
 PAGE 1 OF 1
 REPLACES -
 RELEASE NO. CO-77378
 ISSUE 2
 CHECK
 REVISIONS
 A 206110
 C S L
 1 AUG 02
 CHECK
 S A V
 1 AUG 02
 CHECK
 PTC/CAD 2D
 DRAWN
 C S L
 1 AUG 02
 CHECK

Mouser Electronics

Authorized Distributor

Click to View Pricing, Inventory, Delivery & Lifecycle Information:

[Honeywell:](#)

[136PC100G2](#)