

GENERAL OPERATING CHARACTERISTICS

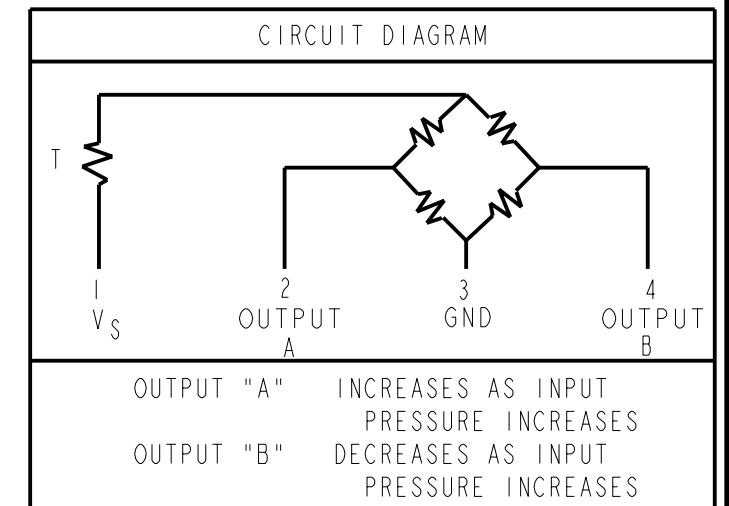
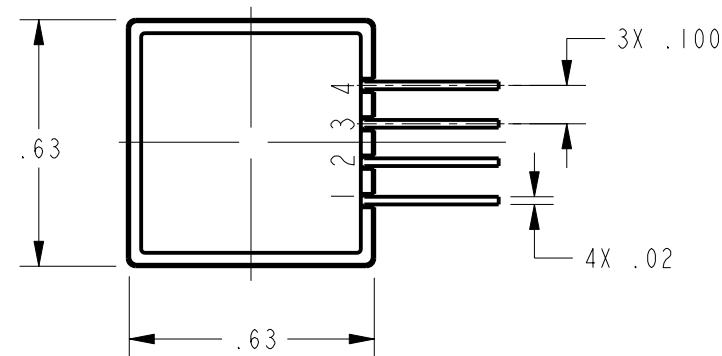
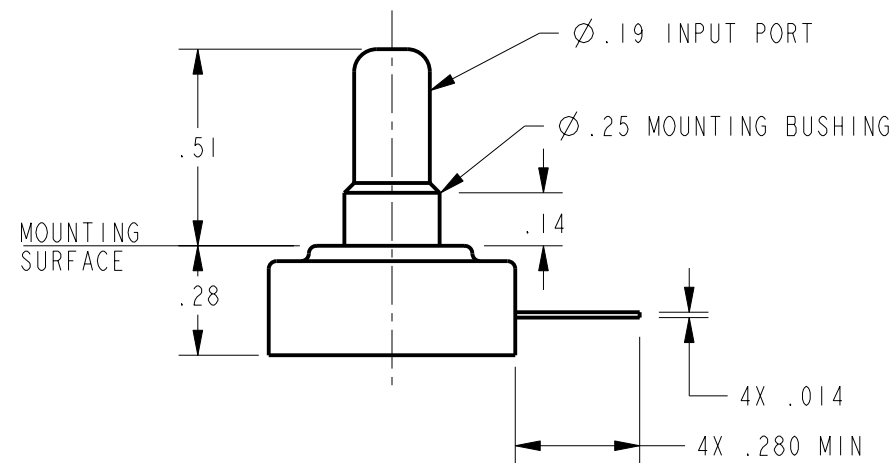
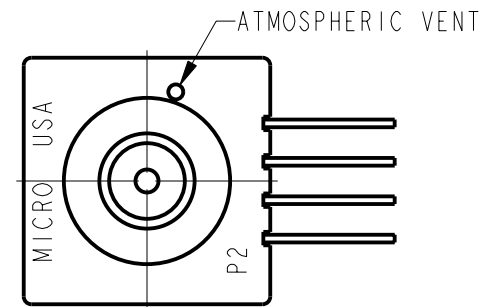
| | |
|--------------------|-------------------------------|
| PRESSURE RANGE | 0 TO 3360 mmHg (0 TO 65 PSIG) |
| OVERPRESSURE | 12925 mmHg (250 PSI) |
| TEMPERATURE RANGES | |
| STORAGE | -55°C TO +125°C |
| OPERATE | -40°C TO +85°C |
| COMPENSATED | 0°C TO +50°C |
| SUPPLY VOLTAGE | 16 VDC MAX |
| INPUT RESISTANCE | 6800 OHM TYP |

ELECTRICAL PERFORMANCE AT 10.00±.01 VDC SUPPLY AND +25°C °C

| | |
|----------------------------------|----------------------|
| NULL OFFSET | 0 ±1 mV (AT 0 PSI) |
| F.S.O. /3 | 27 ± 1.5 mV |
| LINEARITY (BFSL) INPUT > VENT | ± 1.0% F.S.O. MAX /3 |
| HYSTERESIS & REPEATABILITY | ± .15% F.S.O. TYP /3 |

TEMPERATURE ERROR (25°C TO 0°C OR 25°C TO 50°C)

| | |
|-------------------|----------------------|
| NULL SHIFT | ± 4 mV MAX |
| SENSITIVITY SHIFT | ± 3.0% F.S.O. MAX /3 |



- NOTES
- TERMINALS ARE PLATED FOR SOLDERING
 - LIMIT SOLDERING TO 315°C MAX FOR 10 SECONDS MAX
 - F.S.O. IS THE ALGEBRAIC DIFFERENCE BETWEEN THE OUTPUT END POINTS (NULL AND FULL PRESSURE)
 - INPUT MEDIA LIMITED ONLY TO THOSE MEDIA THAT WILL NOT ATTACK POLYESTER, SILICON OR SILICONE BASED ADHESIVE

THIRD ANGLE PROJECTION

SCALE 2 : 1

DO NOT SCALE PRINT

UNLESS OTHERWISE SPECIFIED TOLERANCES ARE

| | |
|--------------------|-------|
| ONE PLACE (.0) | ±.030 |
| TWO PLACE (.00) | ±.015 |
| THREE PLACE (.000) | ±.005 |
| ANGLES | ± |
| WEIGHT | |

PTC/CAD 2D DRAWN
 D L T 30 JUL 02
 SAV 30 JUL 02
 CHECK
 REVISIONS
 A 206110
 D L T
 30 JUL 02
 CHECK
 ISSUE 3
 M
 CATALOG LISTING
 136PC65G2
 PAGE 1 OF 1
 RELEASE NO. CO-77378
 REPLACES -

Mouser Electronics

Authorized Distributor

Click to View Pricing, Inventory, Delivery & Lifecycle Information:

[Honeywell:](#)

[136PC65G2](#)