

D

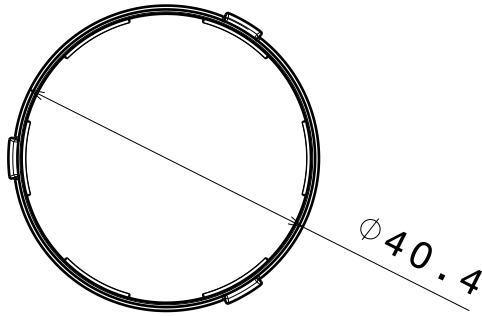
C

B

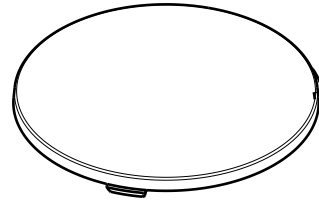
A

4

4



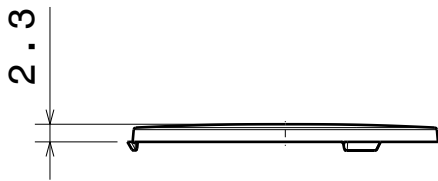
Bottom view



Isometric view

3

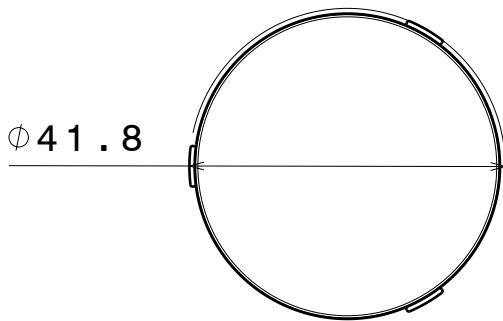
3



Front view

2

2



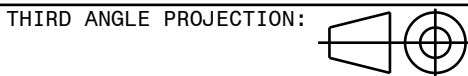
Top view

1

1

Tolerances if not otherwise shown
 According to DIN ISO 2768-1
 Linear measures:
 Up to 30mm class M, otherwise class C.
 According to DIN ISO 2768-2
 Form and position: class L

LEDiL LediL Oy
 Salorankatu 10
 FIN 24240 SALO
 Finland



DRAWING TITLE
Datasheet MIRELLA-RZL

This drawing is the property
 of LEDiL Oy. It may not be
 reproduced, copied or
 communicated without a written
 agreement with LEDiL Oy.

SIZE	PART NUMBER		
A4	-		
SCALE	1:1	WEIGHT	-
		SHEET	1/1

D

A

Mouser Electronics

Authorized Distributor

Click to View Pricing, Inventory, Delivery & Lifecycle Information:

Ledil:

[FCA13078_LAURA-CXP-O-90-PIN](#)