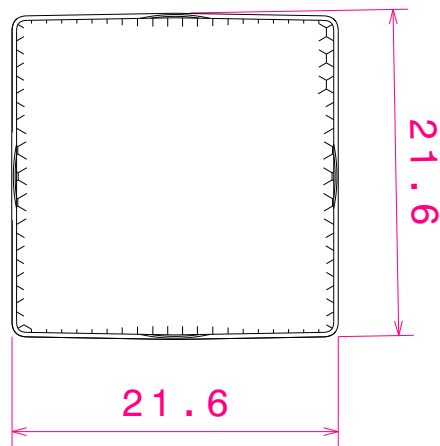
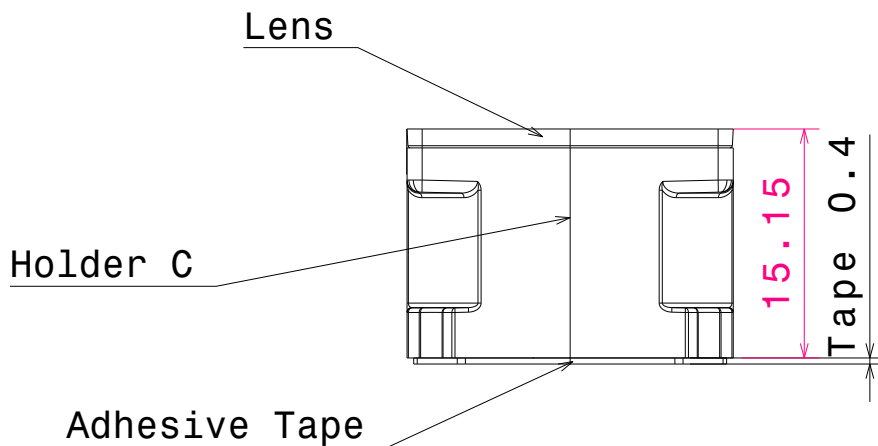


Isometric view
Scale: 1:1



MATERIALS
 LENS: PC
 HOLDER: PC Clear
 TAPE: PU foam with PSA adhesive

This drawing is our property.
 It can't be reproduced
 or communicated without
 our written agreement.



L T F F
 e e i n
 i i n n

DRAWING TITLE

Datasheet K2S-series assy

DRAWN BY
p
DATE
10.09.2008

CHECKED BY
H
DATE
30.11.2006

DESIGNED BY
HH
DATE
30.11.2006

SIZE A4	DRAWING NUMBER	REV 1
SCALE 2:1	WEIGHT (g)	SHEET 1/1

D

A