

D

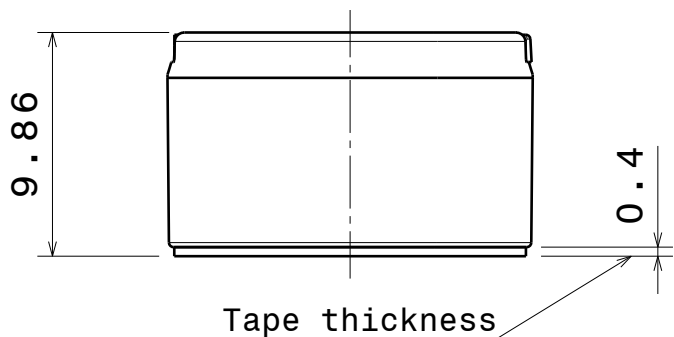
C

B

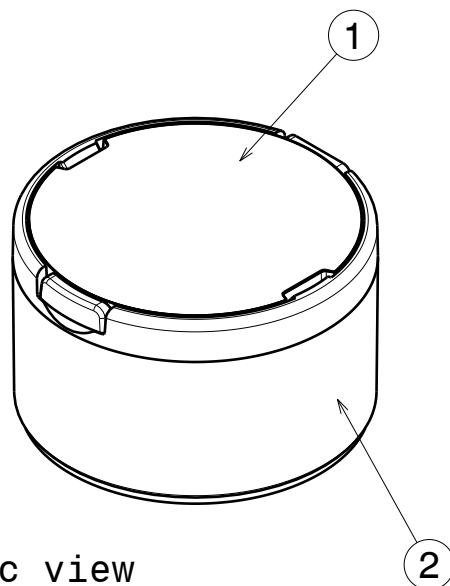
A

4

4



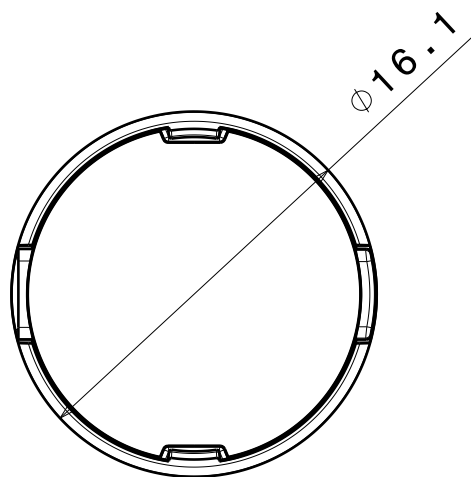
Front view



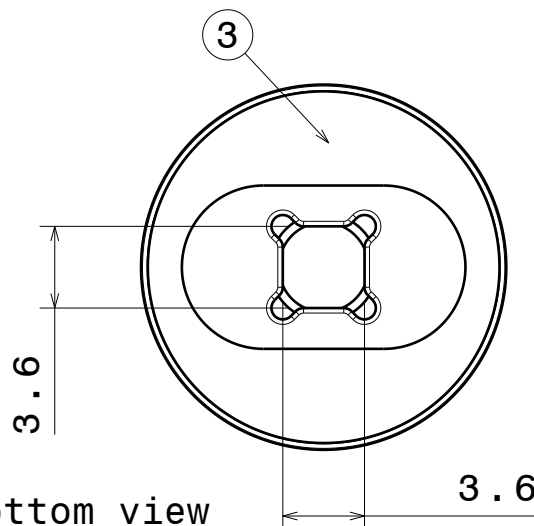
Isometric view

3

3



Top view



Bottom view

2

2

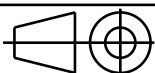
| INDEX | PART NO | DESCRIPTION | MATERIAL | COLOUR |
|-------|---------|--------------------|------------------|--------|
| 1 | F12953 | TINA-M2 | PMMA | clear |
| 2 | F10637 | TINA-XP-H-TAPE-WHT | PC | white |
| 3 | F11840 | TINA-TAPE3 | PU adhesive tape | black |

Tolerances if not otherwise shown
According to DIN ISO 2768-1
Linear measures: class C
According to DIN ISO 2768-2
Form and position: class L

LEDiL

Ledil Oy
Salorankatu 10
FIN 24240 SALO
Finland

THIRD ANGLE PROJECTION:



DRAWING TITLE

FA13093_TINA-M2

This drawing is the property
of LEDiL Oy. It may not be
reproduced, copied or
communicated without a written
agreement with LEDiL Oy.

SIZE PART NUMBER

A4

FA13093

SCALE

1:1

WEIGHT

3,7 g

SHEET

1/1

D

A

1

1

Mouser Electronics

Authorized Distributor

Click to View Pricing, Inventory, Delivery & Lifecycle Information:

Ledil:

[FA13149_TINA-RS](#)