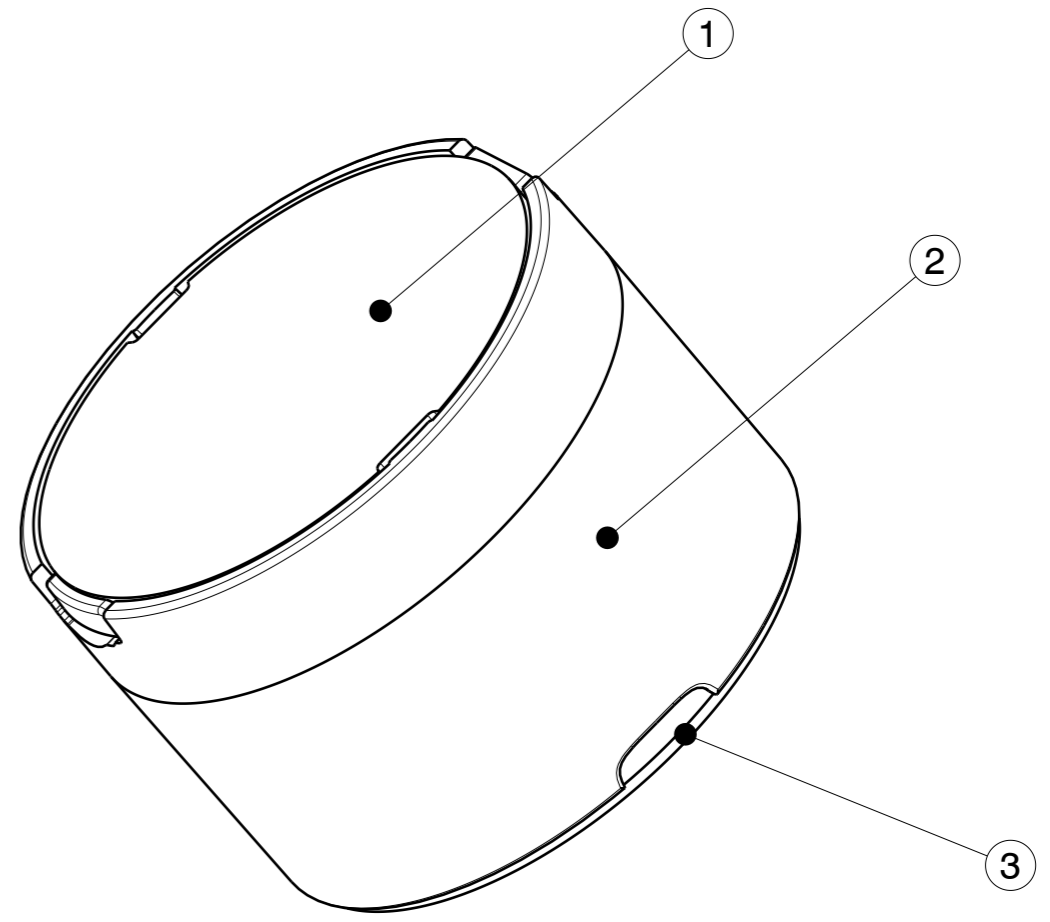
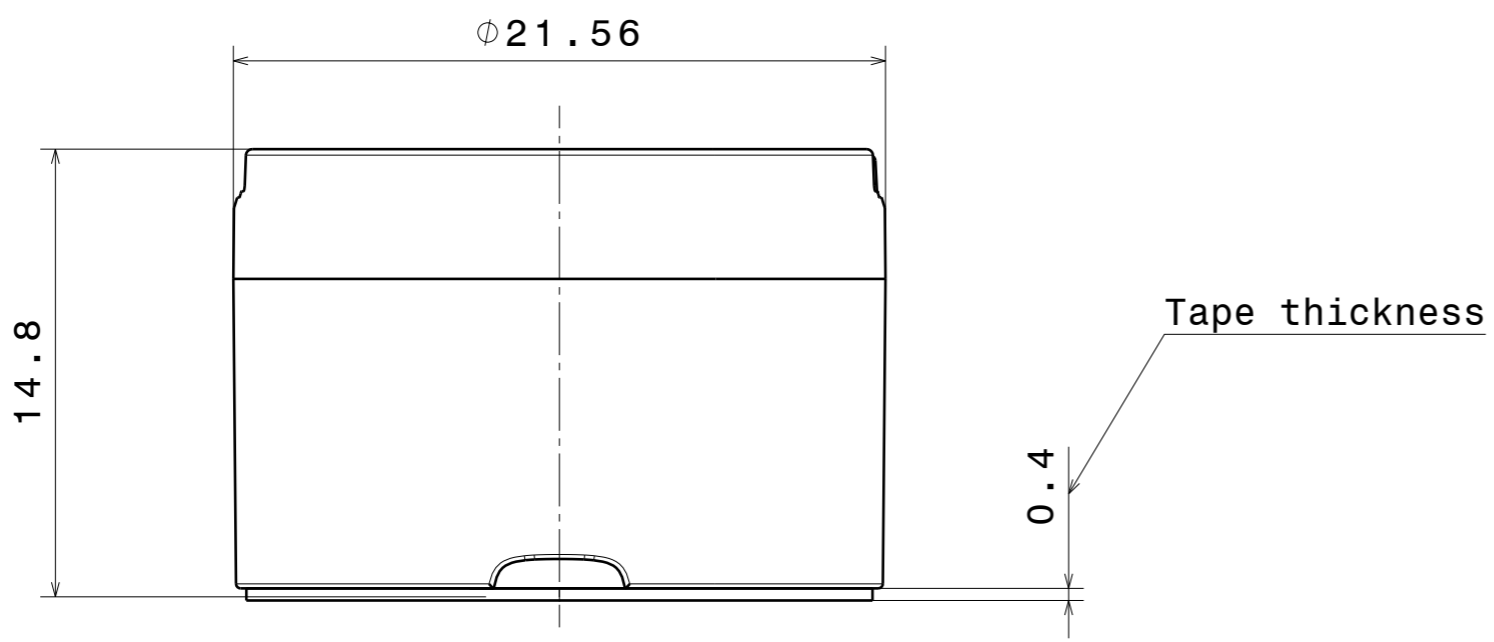


H G F E D C B A

4

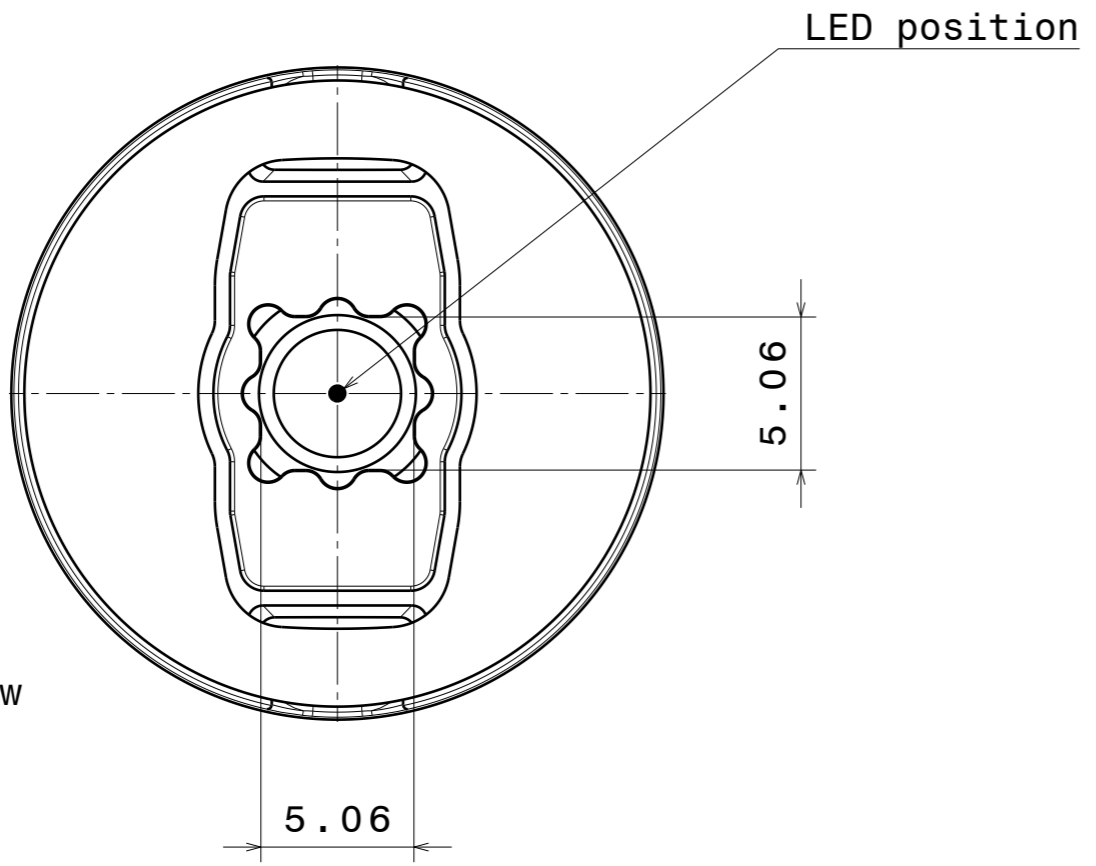


3

3

2

2



INDEX	PART NO	DESCRIPTION	MATERIAL	COLOUR
1	F11089	Lens	PMMA	Clear
2	F11935	Holder	PC	Black
3	F12078	Tape	PU	Black

Tolerances if not otherwise shown
 According to DIN ISO 2768-1
 Linear measures: class C
 According to DIN ISO 2768-2
 Form and position: class L

LEDiL LediL Oy
 Salorankatu 10
 FIN 24240 SALO
 Finland

THIRD ANGLE PROJECTION:

DRAWING TITLE
FA13860_LXM-0-90

This drawing is the property of LEDiL Oy. It may not be reproduced, copied or communicated without a written agreement with LEDiL Oy.

SIZE **A3** PART NUMBER **FA13860**

SCALE 4:1 WEIGHT 6,51 g SHEET 1/1

H G B A

1

1

Mouser Electronics

Authorized Distributor

Click to View Pricing, Inventory, Delivery & Lifecycle Information:

Ledil:

[FP14049_LISA2-O-90-PIN](#)