

D

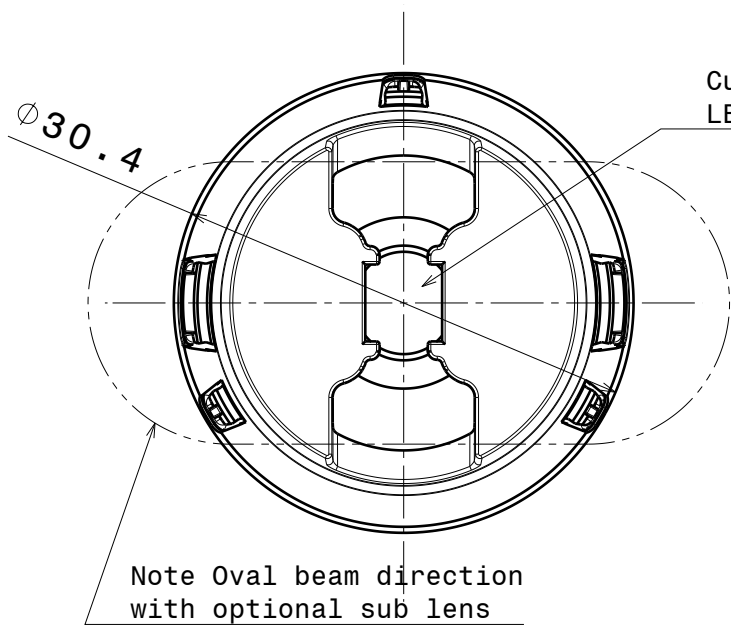
C

B

A

4

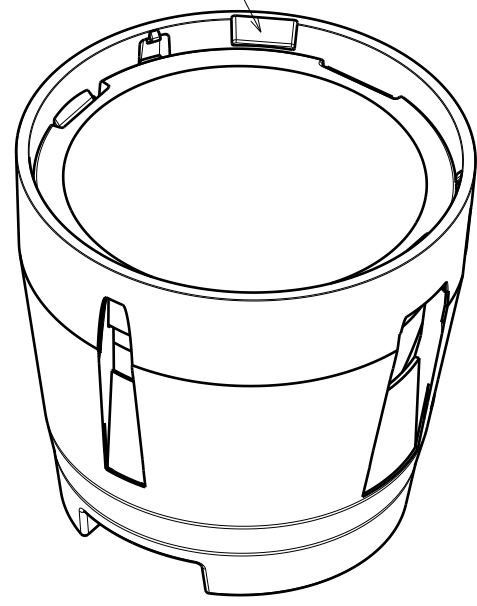
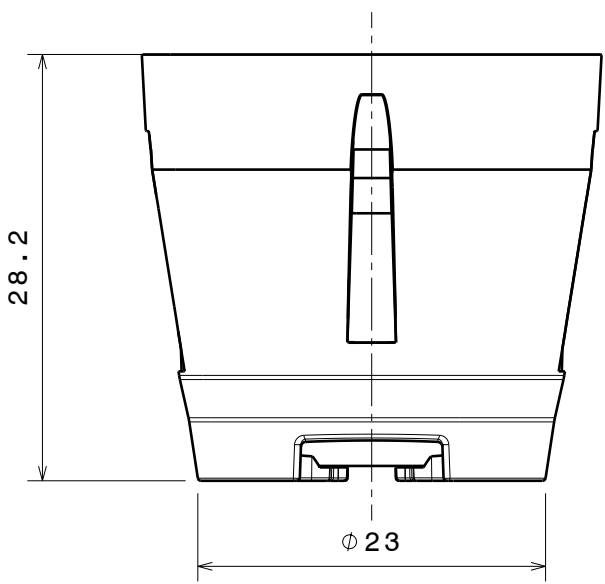
4



Note position guide for optional sub lens

3

3



2

2

Note:
Height of assy same also with SUB LENS.
Fastening with glue.

INDEX	PART NO	DESCRIPTION	MATERIAL	COLOUR
1	Holder	RGBX-HLD	PC	black
2	RGBX-Lens		PMMA	
3	SUB LENS		PC	

Tolerances if not otherwise shown
According to DIN ISO 2768-1
Linear measures:
Up to 30mm class M, otherwise class C.
According to DIN ISO 2768-2
Form and position: class L

LEDiL
Ledil Oy
Salorankatu 10
FIN 24240 SALO
Finland

THIRD ANGLE PROJECTION:

DRAWING TITLE
Datasheet RGBX2 assembly

This drawing is the property of LEDiL Oy. It may not be reproduced, copied or communicated without a written agreement with LEDiL Oy."

SIZE PART NUMBER
A4

SCALE 2:1 WEIGHT 12 g SHEET 1/1

D

A

1

1

Mouser Electronics

Authorized Distributor

Click to View Pricing, Inventory, Delivery & Lifecycle Information:

Ledil:

[CP13938_RGBX2-M](#) [CP14075_MIRA-M](#) [CP13939_RGBX2-O](#)