

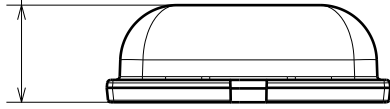
D

C

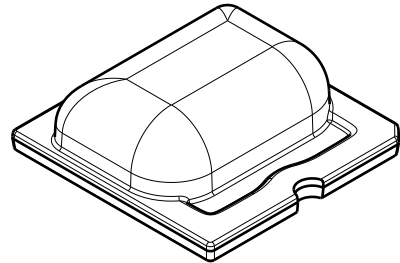
B

A

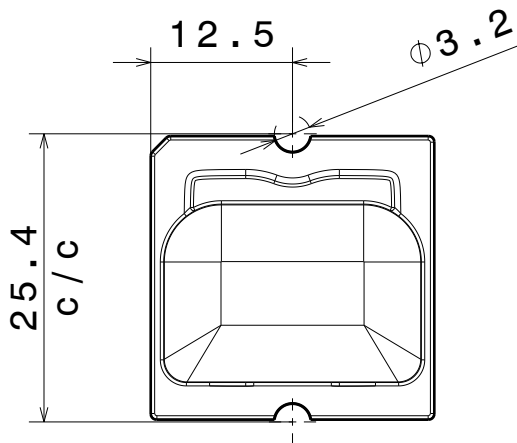
8.56



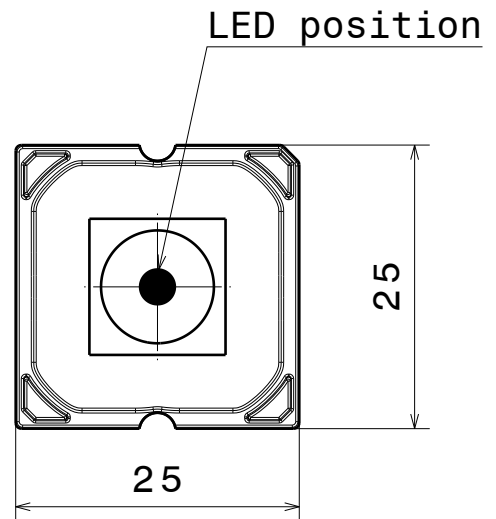
Front view



Isometric view



Top view



Bottom view

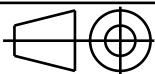
INDEX	PART NO	DESCRIPTION	MATERIAL	COLOUR
1	C14321	STRADA-SQ-T2	PMMA	clear

Tolerances if not otherwise shown
According to DIN ISO 2768-1
Linear measures: class C
According to DIN ISO 2768-2
Form and position: class L

LEDiL

Ledil Oy
Salorankatu 10
FIN 24240 SALO
Finland

THIRD ANGLE PROJECTION:



DRAWING TITLE

C14321_STRADA-SQ-T2_mech

This drawing is the property
of LEDiL Oy. It may not be
reproduced, copied or
communicated without a written
agreement with LEDiL Oy.

SIZE PART NUMBER

A4

C14321

SCALE	3:2	WEIGHT	3,18 g	SHEET	1/1
-------	-----	--------	--------	-------	-----

D

A

Mouser Electronics

Authorized Distributor

Click to View Pricing, Inventory, Delivery & Lifecycle Information:

Ledil:

[C14517_STRADA-2X2-DWC](#)