

D

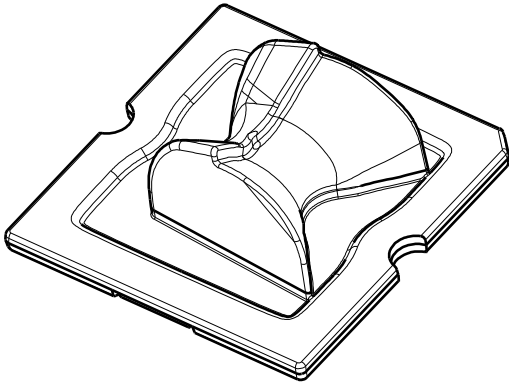
C

B

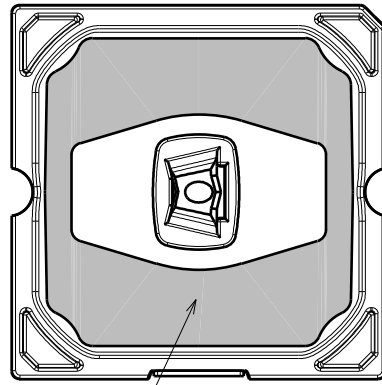
A

4

4



Isometric view

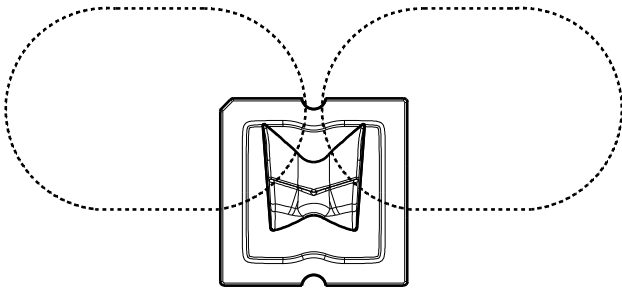


0.4mm tape

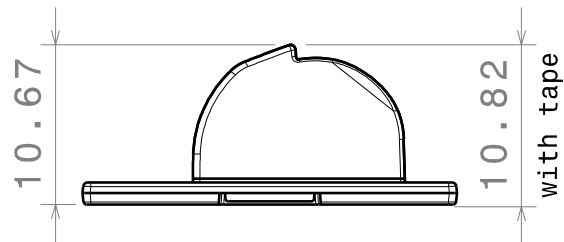
Bottom view

3

3



Beam direction



Front view

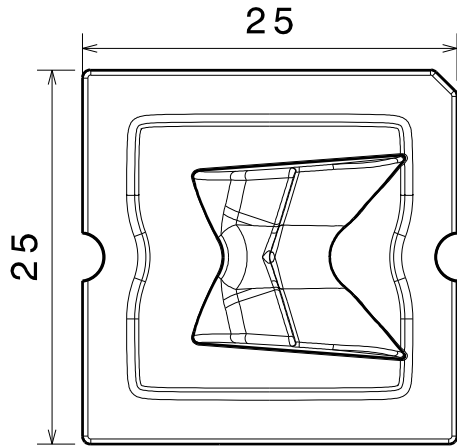
2

2

Part no.s:
 C11818_Strada-SQ-T-DW-XP
 C11818_Strada-SQ-T-DW-XP-G

Part no.s with tape:
 CA11819_Strada-SQ-T-DW-XP-TAPE
 CA11819_Strada-SQ-T-DW-XP-G-TAPE

MATERIALS
 Lens: PMMA
 Tape(optional): PU Foam



Top view

This drawing is our property.
 It can't be reproduced
 or communicated without
 our written agreement.



Ledil Oy
 Tehdaskatu 13
 FIN-24100 SALO
 Finland

DRAWING TITLE

Datasheet Strada-SQ-T-DW-XP Lens

DRAWN BY

mav

DATE

01.12.2010

CHECKED BY

pv

DATE

01.12.2010

SIZE

A4

DRAWING NUMBER

C11818

REV

1

DESIGNED BY

hh

DATE

01.12.2010

SCALE

2:1

WEIGHT (g)

SHEET

1/1

D

A

1

1

Mouser Electronics

Authorized Distributor

Click to View Pricing, Inventory, Delivery & Lifecycle Information:

Ledil:

[C11842_RER-7-MD-PC](#)