

# NHD-12864WG-BTFH-V#N

## Graphic Liquid Crystal Display Module

NHD-	Newhaven Display
12864-	128 x 64 pixels
WG-	Display Type: Graphic
B-	Model
T-	White LED Backlight
F-	FSTN Positive
H-	Transflective, Wide Temperature 6:00 Optimal View
V#N -	Built-in Negative Voltage
	<b>RoHS Compliant</b>

**Newhaven Display International, Inc.**

2661 Galvin Ct.

Elgin IL, 60124

Ph: 847-844-8795

Fax: 847-844-8796

[www.newhavendisplay.com](http://www.newhavendisplay.com)

[nhtech@newhavendisplay.com](mailto:nhtech@newhavendisplay.com)

[nhsales@newhavendisplay.com](mailto:nhsales@newhavendisplay.com)

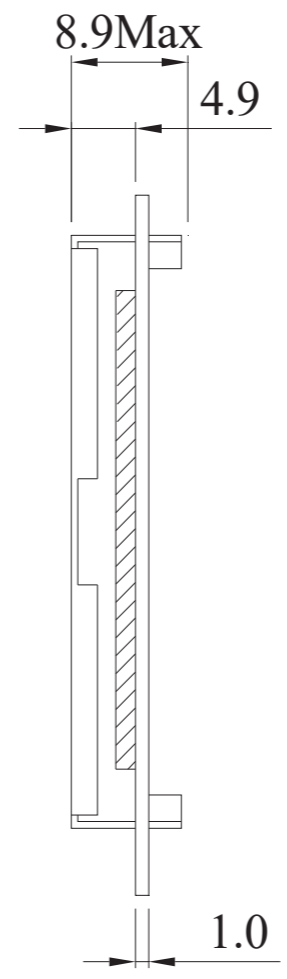
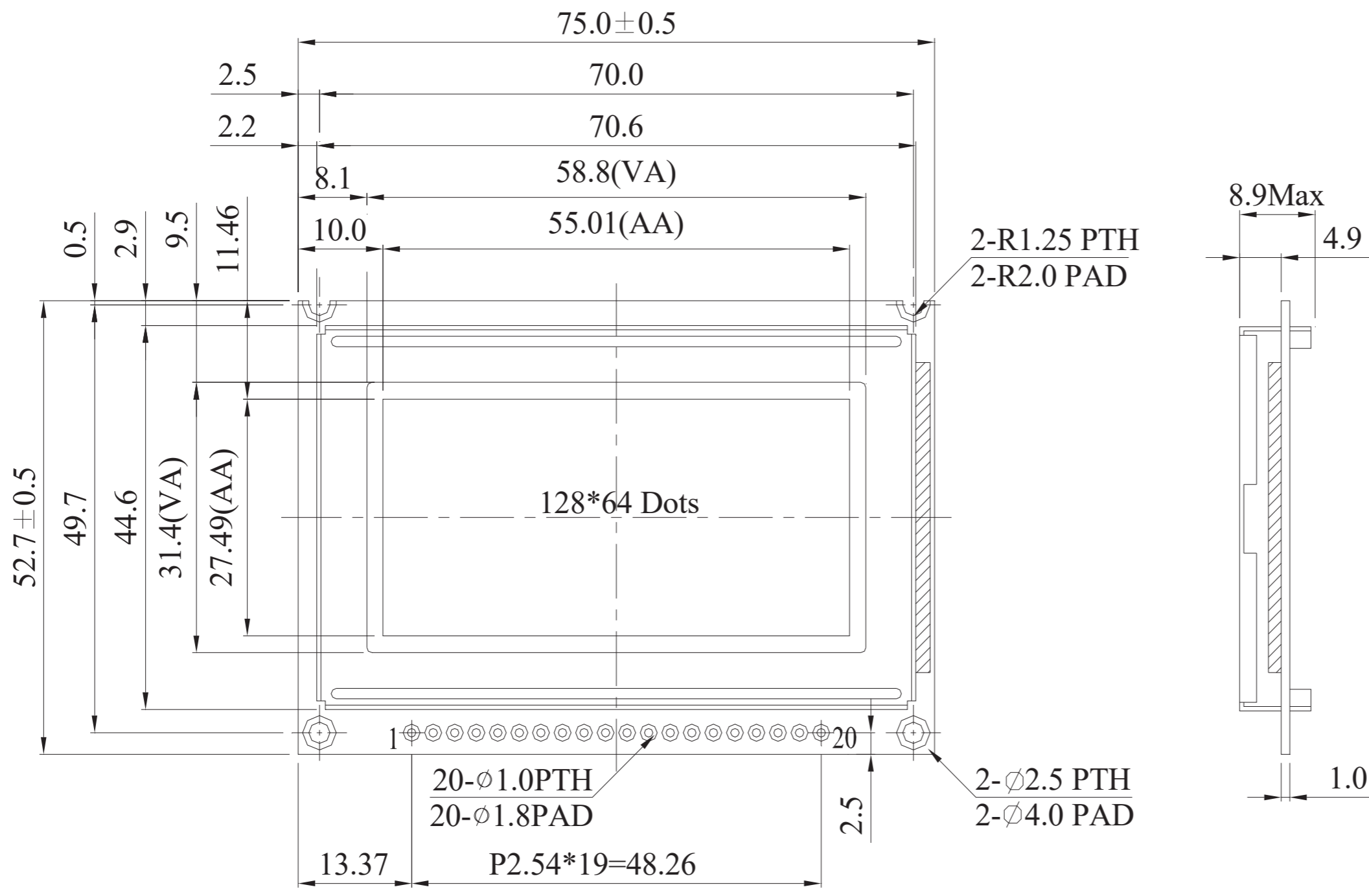
## Document Revision History

Revision	Date	Description	Changed by
0	3/7/07	Initial Release	-
1	5/21/08	Backlight info modification	-
2	3/22/10	User guide reformat	BE
3	4/14/10	Block diagram/Initialization updated	BE
4	2/16/11	Mechanical drawing updated	AK
5	12/19/12	Controller information updated	AK
6	3/28/13	Electrical & timing characteristics updated	JN
7	7/22/16	Mechanical Drawing, Electrical & Optical Char. Updated	SB
8	9/7/16	Fixed contrast voltage	SB
9	4/11/17	I <sub>DD</sub> & I <sub>LED</sub> Updated	SB
10	5/30/17	Pinout Table & Backlight Characteristics Updated	SB
11	4/4/19	Wiring Diagram, Backlight Voltage, Drawing Updated	SB
12	6/6/19	Quality Information Updated	AS
13	4/29/21	Supply Current Ratings Updated	ZP

## Functions and Features

- 128 x 64 pixels
- Built-in NT7108C controller
- +5.0V power supply
- 1/64 duty cycle
- RoHS Compliant

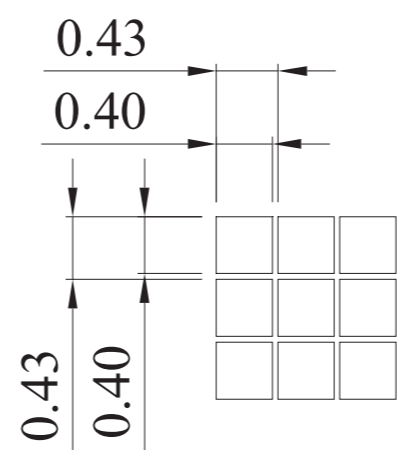
SYMBOL	REVISION	DATE



**Pin Assignment**

PIN NO.	SYMBOL
1	VDD
2	VSS
3	V0
4	DB0
5	DB1
6	DB2
7	DB3
8	DB4
9	DB5
10	DB6
11	DB7
12	CS1
13	CS2
14	RST
15	R/W
16	D/I
17	E
18	VEE
19	A
20	K

- Notes:**
- 1. Driver: 1/64 Duty
  - 2. Display Mode: FSTN Positive / Transflective
  - 3. Optimal View: 6:00
  - 4. Voltage: 5.0V V<sub>DD</sub>, 8V V<sub>LCD</sub>
  - 5. Backlight: White LED
  - 6. Driver IC: NT7108



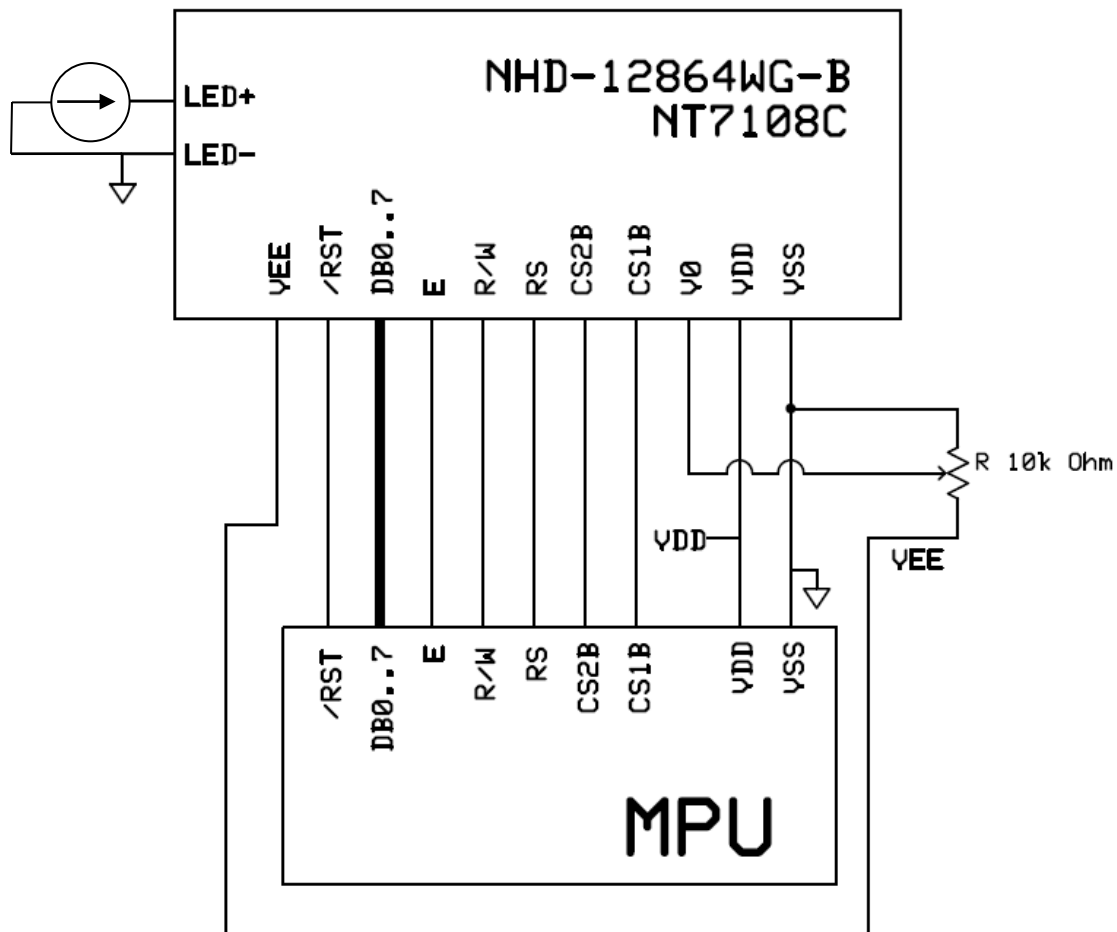
STANDARD TOLERANCE: (UNLESS OTHERWISE SPECIFIED)			
LINEAR: ±0.3mm			
UNLESS OTHERWISE SPECIFIED: - DIMENSIONS ARE IN MILLIMETERS - THIRD ANGLE PROJECTION		DRAWING/PART NUMBER: <b>NHD-12864WG-BTFH-V#N</b>	REVISION: <b>1.0</b> SIZE: <b>A3</b> SCALE: <b>NS</b>
DO NOT SCALE DRAWING		DRAWN BY: A. Shah APPROVED BY: A. Khan DRAWN DATE: 04/11/19 APPROVED DATE: 04/11/19	SHEET 1 OF 1
THIS DRAWING IS SOLELY THE PROPERTY OF NEWHAVEN DISPLAY INTERNATIONAL, INC. THE INFORMATION IT CONTAINS IS NOT TO BE DISCLOSED, REPRODUCED OR COPIED IN WHOLE OR PART WITHOUT WRITTEN APPROVAL FROM NEWHAVEN DISPLAY.			

## Pin Description and Wiring Diagram

Pin No.	Symbol	External Connection	Function Description
1	V <sub>DD</sub>	Power Supply	Supply Voltage for logic (+5.0V)
2	V <sub>SS</sub>	Power Supply	Ground
3	V <sub>0</sub>	Power Supply	Supply Voltage for contrast (approx.. -3.0V)
4-11	DB0-DB7	MPU	Bi-directional 8-bit data bus
12	CS1B	MPU	Chip Selection: CS1=H, CS2=L : select IC1 (left side) CS1=L, CS2=H : select IC2 (right side)
13	CS2B	MPU	
14	/RST	MPU	Active LOW Reset signal
15	R/W	MPU	Read/Write select signal. R/W=1: Read R/W=0: Write
16	RS	MPU	Register Select: 1=Data, 0= Instruction
17	E	MPU	Operation Enable signal. Falling edge triggered.
18	V <sub>EE</sub>	Power Supply	Negative voltage output (- 5V)
19	LED+	Power Supply	Backlight Anode(50 mA @ 3.5V)
20	LED-	Power Supply	Backlight Cathode (Ground)

Recommended LCD connector: 2.54mm pitch pins

Backlight connector: - Mates with: -



## Electrical Characteristics

Item	Symbol	Condition	Min.	Typ.	Max.	Unit
Operating Temperature Range	T <sub>OP</sub>	Absolute Max	-20	-	+70	°C
Storage Temperature Range	T <sub>ST</sub>	Absolute Max	-30	-	+80	°C
Supply Voltage	V <sub>DD</sub>	-	4.5	5.0	5.5	V
Supply Current	I <sub>DD</sub>	V <sub>DD</sub> = 5.0V	1.5	3.2	6.0	mA
Supply for LCD (contrast)	V <sub>DD-V0</sub>	T <sub>OP</sub> = 25°	7.8	8.0	8.2	V
"H" Level input	V <sub>IH</sub>	-	0.7 * V <sub>DD</sub>	-	V <sub>DD</sub>	V
"L" Level input	V <sub>IL</sub>	-	V <sub>SS</sub>	-	0.8	V
"H" Level output	V <sub>OH</sub>	-	2.4	-	V <sub>DD</sub>	V
"L" Level output	V <sub>OL</sub>	-	V <sub>SS</sub>	-	0.4	V
Backlight Supply Current	I <sub>LED</sub>	-	-	50	60	mA
Backlight Supply Voltage	V <sub>LED</sub>	I <sub>LED</sub> = 50mA	3.3	3.5	3.7	V

\*The LED of the backlight is driven by current drain; drive voltage is for reference only. Drive voltage must be selected to ensure backlight current drain is below MAX level stated.

## Optical Characteristics

Item	Symbol	Condition	Min.	Typ.	Max.	Unit
Optimal Viewing Angles	Top	CR ≥ 2	-	30	-	°
	Bottom		-	60	-	°
	Left		-	45	-	°
	Right		-	45	-	°
Contrast Ratio	CR	-	2	5	-	-
Response Time	Rise	T <sub>OP</sub> = 25°C	-	200	300	ms
	Fall		-	250	350	ms

## Controller Information

Built-in NT7108C controller.

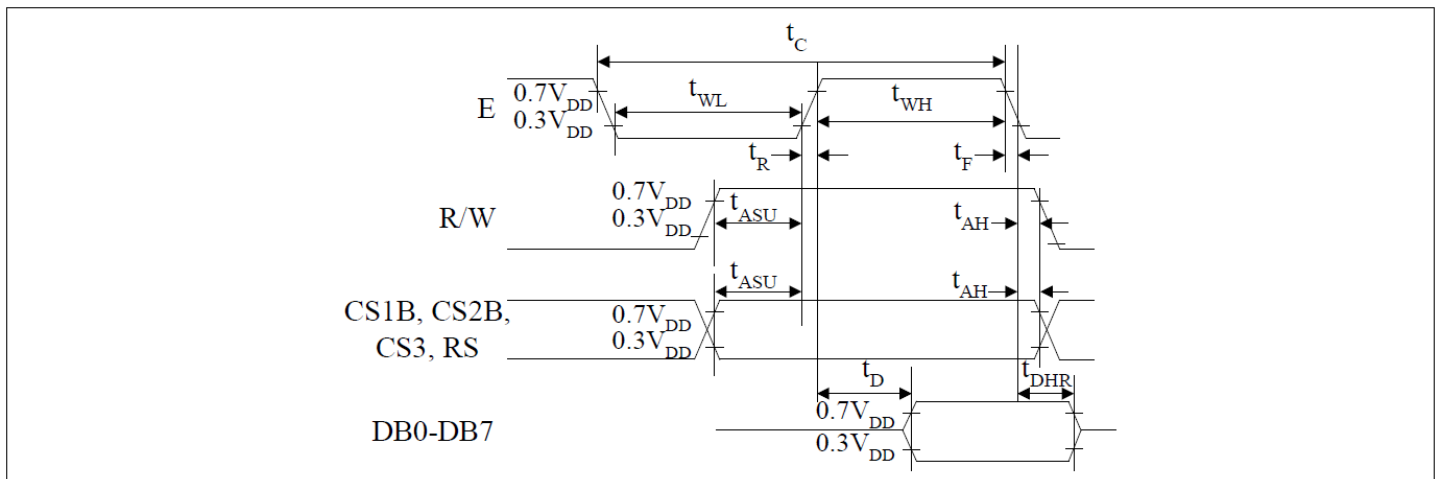
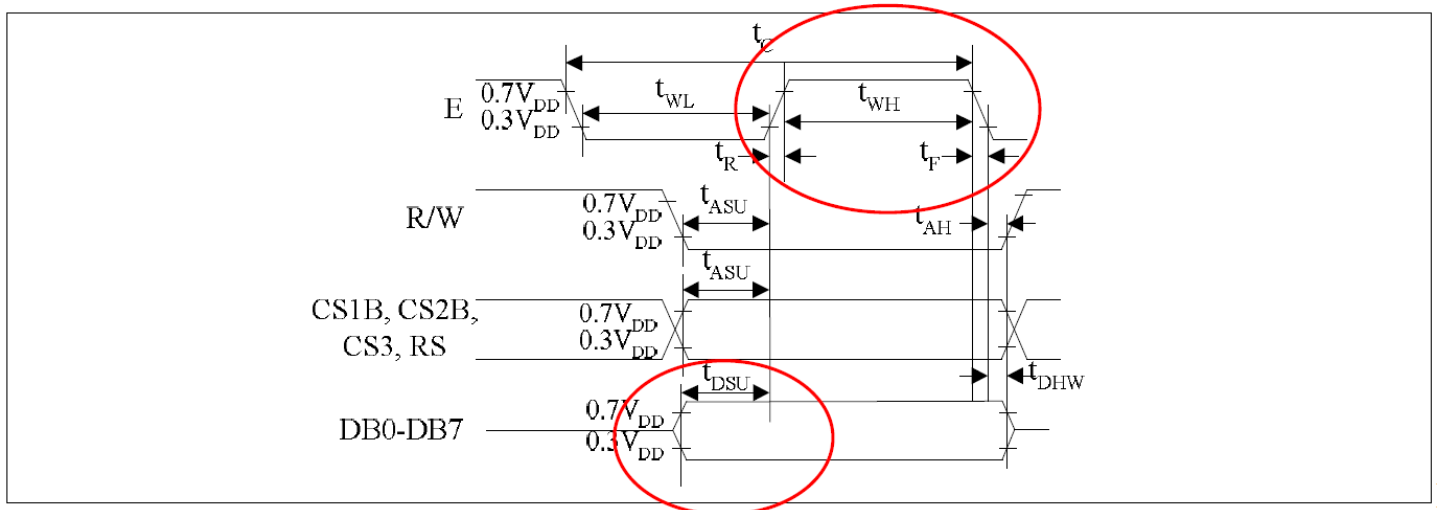
Please download specification at [http://www.newhavendisplay.com/app\\_notes/NT7108.pdf](http://www.newhavendisplay.com/app_notes/NT7108.pdf)

## Table of Commands

Instruction	RS	R/W	DB7	DB6	DB5	DB4	DB3	DB2	DB1	DB0	Function	
Display on/off	L	L	L	L	H	H	H	H	H	L/H	Controls the display on or off. Internal status and display RAM data is not affected. L:OFF, H:ON	
Set address (Y address)	L	L	L	H	Y address (0-63)						Sets the Y address in the Y address counter.	
Set page (X address)	L	L	H	L	H	H	H	Page (0-7)			Sets the X address at the X address register.	
Display Start line (Z address)	L	L	H	H	Display start line (0-63)						Indicates the display data RAM displayed at the top of the screen.	
Status read	L	H	Busy	L	On/Off	Reset	L	L	L	L	Read status. BUSY L: Ready H: In operation ON/OFF L: Display ON H: Display OFF RESET L: Normal H: Reset	
Write display data	H	L	Write data									Writes data (DB0: 7) into display data RAM. After writing instruction, Y address is increased by 1 automatically.
Read display data	H	H	Read data									Reads data (DB0: 7) from display data RAM to the data bus.

## Timing Characteristics

Characteristic	Symbol	Min	Type	Max	Unit
E cycle	$t_c$	1000	-	-	ns
E high level width	$t_{WH}$	450	-	-	
E low level width	$t_{WL}$	450	-	-	
E rise time	$t_R$	-	-	25	
E fall time	$t_F$	-	-	25	
Address set-up time	$t_{ASU}$	140	-	-	
Address hold time	$t_{AH}$	10	-	-	
Data set-up time	$t_{DSU}$	140	-	-	
Data delay time	$t_D$	-	-	320	
Data hold time (write)	$t_{DHW}$	10	-	-	
Data hold time (read)	$t_{DHR}$	20	-	-	



## Example Initialization Program

```
'-----  
'DB0-DB7  7-14          P1  
'CS2B      16           P3.6  
'CS1B      15           P3.1  
'/RST      17           P3.2  
'R/W       5            P3.7  
'RS        4            P3.0  
'E         6            P3.4  
'-----  
Sub Init  
  Reset P3.2  
  Set P3.2  
  Reset P3.4  
  Reset P3.0  
  Reset P3.7  
  Reset P3.6  
  Reset P3.1  
  A = &H3F  
  Call Comleft           'display on  
  Call Comright         'display on  
End Sub  
'-----  
Sub Comleft  
  P1 = A  
  Set P3.6  
  Reset P3.0  
  Set P3.4  
  Reset P3.4  
  Reset P3.6  
End Sub  
  
Sub Comright  
  P1 = A  
  Set P3.1  
  Reset P3.0  
  Set P3.4  
  Reset P3.4  
  Reset P3.1  
End Sub  
  
Sub Writeleft  
  P1 = A  
  Set P3.6  
  Set P3.0  
  Set P3.4  
  Reset P3.4  
  Reset P3.6  
End Sub  
  
Sub Writerright  
  P1 = A  
  Set P3.1  
  Set P3.0  
  Set P3.4  
  Reset P3.4  
  Reset P3.1  
End Sub
```



## Quality Information

Test Item	Content of Test	Test Condition	Note
High Temperature storage	Endurance test applying the high storage temperature for a long time.	+80°C , 200hrs	2
Low Temperature storage	Endurance test applying the low storage temperature for a long time.	-30°C , 200hrs	1,2
High Temperature Operation	Endurance test applying the electric stress (voltage & current) and the high thermal stress for a long time.	+70°C 200hrs	2
Low Temperature Operation	Endurance test applying the electric stress (voltage & current) and the low thermal stress for a long time.	-20°C , 200hrs	1,2
High Temperature / Humidity Operation	Endurance test applying the electric stress (voltage & current) and the high thermal with high humidity stress for a long time.	+60°C , 90% RH , 96hrs	1,2
Thermal Shock resistance	Endurance test applying the electric stress (voltage & current) during a cycle of low and high thermal stress.	-20°C,30min -> 25°C,5min -> 70°C,30min = 1 cycle 10 cycles	
Vibration test	Endurance test applying vibration to simulate transportation and use.	10-55Hz , 1.5mm amplitude. 60 sec in each of 3 directions X,Y,Z For 15 minutes	3
Static electricity test	Endurance test applying electric static discharge.	VS=800V, RS=330Ω, CS=150pF 10 times	

**Note 1:** No condensation to be observed.

**Note 2:** Conducted after 4 hours of storage at 25°C, 0%RH.

**Note 3:** Test performed on product itself, not inside a container.

## Precautions for using LCDs/LCMs

See Precautions at [www.newhavendisplay.com/specs/precautions.pdf](http://www.newhavendisplay.com/specs/precautions.pdf)

## Warranty Information and Terms & Conditions

[http://www.newhavendisplay.com/index.php?main\\_page=terms](http://www.newhavendisplay.com/index.php?main_page=terms)