

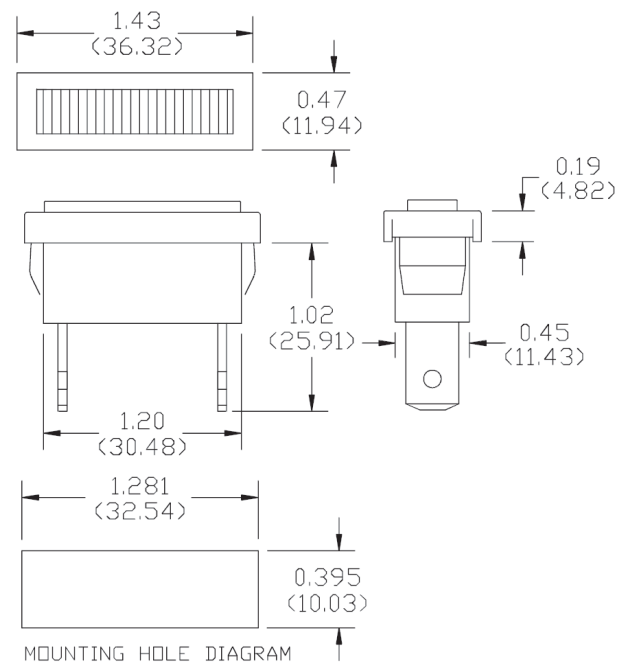
## 31 Series Snapfit Indicator Lights for 1.281" x 0.395" (32.54mm x 10.03mm) Mounting Hole

Zinc plated bezel, white nylon housing, neon or incandescent lights

### Overview

The 31 Series rectangular indicators feature a wide variety of lens colors and voltage options. Indicator lights quickly snap fit into a 1.281" x 0.395" (32.54mm x 10.03mm) mounting hole. Recommended panel thickness range from 0.020" (0.5mm) minimum to 0.090" (2.3mm) maximum. Lenses may be customized with stamped message. Contact your customer service representative for specific ordering information.

- rectangular indicator lights for 1.281" x 0.395" (32.54mm x 10.03mm) mounting hole
- 0.250" (6.35mm) tab terminals
- neon or incandescent indicator lights
- variety of lens colors
- UL Listed
- UL File E20356



### Specifications

Housing: white nylon. A black housing is available.

Bezel: zinc plated steel. A black anodized bezel is available.

Lens: polycarbonate. Lenses may be customized with stamped message.

Incandescent AC or DC voltage options: 6, 14 and 28 volts.

Neon AC or DC voltage options: 125 and 250 volts.

Note: high brightness green and blue neon lamps supplied in green and blue neon applications.

Terminals: 0.250" (6.35mm) tabs: brass, (.250" (6.35mm) length x 0.030" (.76mm)) thick.



# 31 Series Snapfit Indicator Lights

Zinc plated bezel, white nylon housing, neon or incandescent lights

## Ordering Specifications

Part Number	Lens Color	Lamp Type	Design Volts	Design Watts or Amps	Life (hrs)
31-2111T	Red	Neon	125	1/3W	25,000
31H-2111T	Red	Neon	250	1/3W	25,000
31G1-2111T	Red	Incandescent	6	.20A	5,000
31G3-2111T	Red	Incandescent	14	.10A	10,000
31G18-2111T	Red	Incandescent	28	.04A	7,000
31-2112T	Green	Neon	125	1/3W	25,000
31H-2112T	Green	Neon	250	1/3W	25,000
31G1-2112T	Green	Incandescent	6	.20A	5,000
31G3-2112T	Green	Incandescent	14	.10A	10,000
31G18-2112T	Green	Incandescent	28	.04A	7,000
31-2113T	Amber	Neon	125	1/3W	25,000
31H-2113T	Amber	Neon	250	1/3W	25,000
31G1-2113T	Amber	Incandescent	6	.20A	5,000
31G3-2113T	Amber	Incandescent	14	.10A	10,000
31G18-2113T	Amber	Incandescent	28	.04A	7,000
31-2114T	Blue	Neon	125	1/3W	25,000
31H-2114T	Blue	Neon	250	1/3W	25,000
31G1-2114T	Blue	Incandescent	6	.20A	5,000
31G8-2114T	Blue	Incandescent	14	.10A	10,000
31G18-2114T	Blue	Incandescent	28	.04A	7,000
31-2115T	White	Neon	125	1/3W	25,000
31H-2115T	White	Neon	250	1/3W	25,000
31G1-2115T	White	Incandescent	6	.20A	5,000
31G3-2115T	White	Incandescent	14	.10A	10,000
31G18-2115T	White	Incandescent	28	.04A	7,000
31-2117T	Clear	Neon	125	1/3W	25,000
31H-2117T	Clear	Neon	250	1/3W	25,000
31G1-2117T	Clear	Incandescent	6	.20A	5,000
31G3-2117T	Clear	Incandescent	14	.10A	10,000
31G18-2117T	Clear	Incandescent	28	.04A	7,000

# Mouser Electronics

Authorized Distributor

Click to View Pricing, Inventory, Delivery & Lifecycle Information:

VCC:

[31G18-2111T](#) [31G18-2112T](#) [31G3-2111T](#) [31-2113T](#) [31-2115T](#) [31-2111T](#) [31G1-2113T](#) [31H-2117T](#) [31G1-2117T](#)  
[31G3-2112T](#) [31H-2113T](#) [31-2114T](#) [31G1-2114T](#) [31H-2115T](#) [31G3-2115T](#) [31G18-2114T](#) [31G18-2117T](#) [31G1-](#)  
[2112T](#) [31G3-2114T](#) [31-2117T](#) [31H-2111T](#) [31G18-2115T](#) [31G3-2117T](#) [31G3-2113T](#) [31G1-2115T](#) [31G1-2111T](#) [31-](#)  
[2112T](#) [31H-2002T](#) [31H-2000](#)