

BQ2947 Overvoltage Protection for 2-Series to 4-Series Cell Li-Ion Batteries with External Delay Capacitor

1 Features

- 2-, 3-, and 4-series cell overvoltage protection
- External capacitor-programmed delay timer
- Factory programmed OVP threshold (threshold range 3.85 V to 4.6 V)
- Output options: active high or open drain active low
- High-accuracy overvoltage protection: ± 10 mV
- Low power consumption $I_{CC} \approx 1 \mu\text{A}$ ($V_{\text{CELL(ALL)}} < V_{\text{PROTECT}}$)
- Low leakage current per cell input < 100 nA
- Small package footprint
 - 8-pin WSON (2.00 mm x 2.00 mm)

2 Applications

- [Notebooks](#)
- [UPS battery backup](#)

3 Description

The BQ2947 family is an overvoltage monitor and protector for Li-Ion battery pack systems. Each cell is monitored independently for an overvoltage condition.

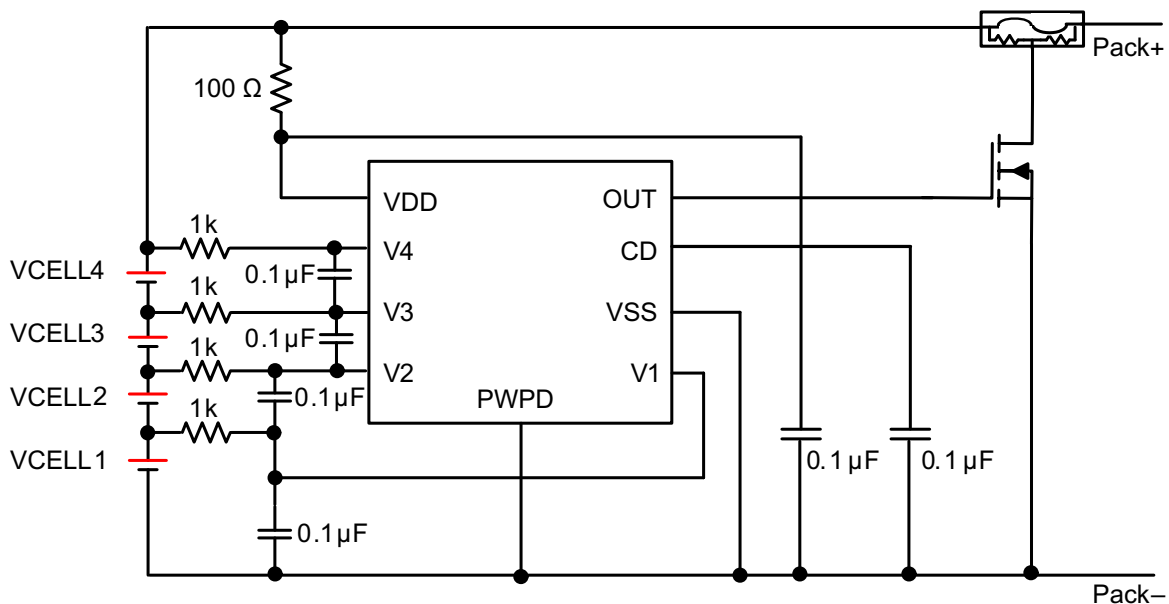
In the BQ2947 device, an external delay timer is initiated upon detection of an overvoltage condition on any cell. Upon expiration of the delay timer, the output is triggered into its active state (either high or low, depending on the configuration). The external delay timer feature also includes the ability to detect an open or shorted delay capacitor on the CD pin, which will similarly trigger the output driver in an overvoltage condition.

For quicker production-line testing, the BQ2947 device provides a Customer Test Mode with 67 reduced delay time.

Device Information

| PART NUMBER ⁽¹⁾ | PACKAGE | BODY SIZE (NOM) |
|----------------------------|----------|-------------------|
| BQ294700 | WSON (8) | 2.00 mm x 2.00 mm |

(1) For all available packages, see the orderable addendum at the end of the data sheet.



Copyright © 2017, Texas Instruments Incorporated

Simplified Schematic



Table of Contents

| | | | |
|--|----|--|----|
| 1 Features | 1 | 9 Application and Implementation | 13 |
| 2 Applications | 1 | 9.1 Application Information..... | 13 |
| 3 Description | 1 | 9.2 Typical Applications..... | 13 |
| 4 Revision History | 2 | 10 Power Supply Recommendations | 16 |
| 5 Device Comparison Table | 3 | 11 Layout | 16 |
| 6 Pin Configuration and Functions | 4 | 11.1 Layout Guidelines..... | 16 |
| 7 Specifications | 5 | 11.2 Layout Example..... | 16 |
| 7.1 Absolute Maximum Ratings..... | 5 | 12 Device and Documentation Support | 17 |
| 7.2 ESD Ratings..... | 5 | 12.1 Third-Party Products Disclaimer..... | 17 |
| 7.3 Recommended Operating Conditions..... | 5 | 12.2 Documentation Support..... | 17 |
| 7.4 Thermal Information..... | 5 | 12.3 Receiving Notification of Documentation Updates.. | 17 |
| 7.5 Electrical Characteristics..... | 6 | 12.4 Support Resources..... | 17 |
| 7.6 Typical Characteristics..... | 7 | 12.5 Trademarks..... | 17 |
| 8 Detailed Description | 9 | 12.6 Electrostatic Discharge Caution..... | 17 |
| 8.1 Overview..... | 9 | 12.7 Glossary..... | 17 |
| 8.2 Functional Block Diagram..... | 9 | 13 Mechanical, Packaging, and Orderable | |
| 8.3 Feature Description..... | 9 | Information | 17 |
| 8.4 Device Functional Modes..... | 11 | | |

4 Revision History

| Changes from Revision I (June 2018) to Revision J (May 2021) | Page |
|--|------|
| • Updated the BQ294712 and BQ294713 devices in the <i>Device Options table</i> | 3 |
| Changes from Revision H (February 2018) to Revision I (June 2018) | Page |
| • Added BQ294713 to the <i>Device Options table</i> | 3 |
| • Added BQ294713 to the <i>Electrical Characteristics</i> | 6 |
| Changes from Revision G (November 2017) to Revision H (February 2018) | Page |
| • Changed BQ294712 to Production Data in the <i>Device Options table</i> | 3 |

5 Device Comparison Table

| PART NUMBER | OVP (V) | OV HYSTERESIS | OUTPUT DRIVE |
|-------------|------------|---------------|---|
| BQ294700 | 4.350 | 0.300 | CMOS Active High |
| BQ294701 | 4.250 | 0.300 | CMOS Active High |
| BQ294702 | 4.300 | 0.300 | CMOS Active High |
| BQ294703 | 4.325 | 0.300 | CMOS Active High |
| BQ294704 | 4.400 | 0.300 | CMOS Active High |
| BQ294705 | 4.450 | 0.300 | CMOS Active High |
| BQ294706 | 4.550 | 0.300 | CMOS Active High |
| BQ294707 | 4.225 | 0.050 | NCH Open Drain Active Low |
| BQ294708 | 4.500 | 0.300 | CMOS Active High |
| BQ294711 | 4.220 | 0.300 | CMOS Active High |
| BQ294712 | 4.125 | 0.300 | CMOS Active High |
| BQ294713 | 4.600 | 0.300 | CMOS Active High |
| BQ2947 | 3.850–4.60 | 0–0.300 | CMOS Active High or Open Drain Active Low |

6 Pin Configuration and Functions

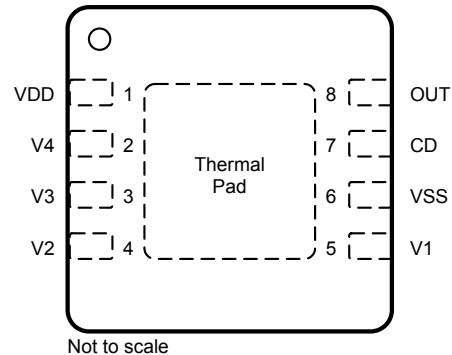


Figure 6-1. DSG Package 8-Pin WSON Top View

Table 6-1. Pin Functions

| NUMBER | NAME | TYPE ⁽¹⁾ | DESCRIPTION |
|-----------|------|---------------------|---|
| 1 | VDD | P | Power supply input |
| 2 | V4 | IA | Sense input for positive voltage of the fourth cell from the bottom of the stack |
| 3 | V3 | IA | Sense input for positive voltage of the third cell from the bottom of the stack |
| 4 | V2 | IA | Sense input for positive voltage of the second cell from the bottom of the stack |
| 5 | V1 | IA | Sense input for positive voltage of the lowest cell in the stack |
| 6 | VSS | P | Electrically connected to IC ground and negative terminal of the lowest cell in the stack |
| 7 | CD | OA | External capacitor connection for delay timer |
| 8 | OUT | OA | Analog Output drive for overvoltage fault signal. Active High or Open Drain Active Low |
| PowerPAD™ | | P | TI recommends connecting the exposed pad to VSS on the PCB. |

(1) IA = Input Analog, OA = Output Analog, P = Power Connection

7 Specifications

7.1 Absolute Maximum Ratings

Over operating free-air temperature range (unless otherwise noted)⁽¹⁾

| | | MIN | MAX | UNIT |
|---|--|---------------------------------|-----|------|
| Supply voltage | VDD–VSS | –0.3 | 30 | V |
| Input voltage | V4–V3, V3–V2, V2–V1, V1–VSS, or CD–VSS | –0.3 | 30 | V |
| Output voltage | OUT–VSS | –0.3 | 30 | V |
| Continuous total power dissipation, P _{TOT} | | See Section 7.4 | | |
| Lead temperature (soldering, 10 s), T _{SOLDER} | | | 300 | °C |
| Storage temperature, T _{stg} | | –65 | 150 | |

- (1) Stresses beyond those listed under *Absolute Maximum Ratings* may cause permanent damage to the device. These are stress ratings only, which do not imply functional operation of the device at these or any other conditions beyond those indicated under *Recommended Operating Conditions*. Exposure to absolute-maximum-rated conditions for extended periods may affect device reliability.

7.2 ESD Ratings

| | | | VALUE | UNIT |
|--------------------|-------------------------|--|-------|------|
| V _(ESD) | Electrostatic discharge | Human body model (HBM), per ANSI/ESDA/JEDEC JS-001 ⁽¹⁾ | ±2000 | V |
| | | Charged device model (CDM), per JEDEC specification JESD22-C101 ⁽²⁾ | ±500 | |

- (1) JEDEC document JEP155 states that 500-V HBM allows safe manufacturing with a standard ESD control process.
(2) JEDEC document JEP157 states that 250-V CDM allows safe manufacturing with a standard ESD control process.

7.3 Recommended Operating Conditions

Over-operating free-air temperature range (unless otherwise noted)

| | | MIN | MAX | UNIT |
|---|--|-----|-----|------|
| Supply voltage, V _{DD} | | 3 | 20 | V |
| Input voltage range | V4–V3, V3–V2, V2–V1, V1–VSS, or CD–VSS | 0 | 5 | V |
| Operating ambient temperature range, T _A | | –40 | 110 | °C |

7.4 Thermal Information

| THERMAL METRIC ⁽¹⁾ | | BQ2947 | UNIT |
|-------------------------------|--|--------|------|
| | | WSON | |
| | | 8 PINS | |
| R _{θJA} | Junction-to-ambient thermal resistance | 62 | °C/W |
| R _{θJC(top)} | Junction-to-case(top) thermal resistance | 72 | °C/W |
| R _{θJB} | Junction-to-board thermal resistance | 32.5 | °C/W |
| ψ _{JT} | Junction-to-top characterization parameter | 1.6 | °C/W |
| ψ _{JB} | Junction-to-board characterization parameter | 33 | °C/W |
| R _{θJC(bottom)} | Junction-to-case(bottom) thermal resistance | 10 | °C/W |

- (1) For more information about traditional and new thermal metrics, see the [Semiconductor and IC Package Thermal Metrics](#) application report.

7.5 Electrical Characteristics

Typical values stated where $T_A = 25^\circ\text{C}$ and $V_{DD} = 14.4\text{V}$, MIN/MAX values stated where $T_A = -40^\circ\text{C}$ to $+110^\circ\text{C}$ and $V_{DD} = 3\text{V}$ to 20V (unless otherwise noted).

| PARAMETER | TEST CONDITIONS | MIN | TYP | MAX | UNIT | |
|---|---|---|------|----------------|------|---------------|
| VOLTAGE PROTECTION THRESHOLDS | | | | | | |
| V_{OV} | $V_{(PROTECT)}$ Overvoltage Detection | BQ294700, $R_{IN} = 1\text{ k}\Omega$ | | 4.350 | | V |
| | | BQ294701, $R_{IN} = 1\text{ k}\Omega$ | | 4.250 | | V |
| | | BQ294702, $R_{IN} = 1\text{ k}\Omega$ | | 4.300 | | V |
| | | BQ294703, $R_{IN} = 1\text{ k}\Omega$ | | 4.325 | | V |
| | | BQ294704, $R_{IN} = 1\text{ k}\Omega$ | | 4.400 | | V |
| | | BQ294705, $R_{IN} = 1\text{ k}\Omega$ | | 4.450 | | V |
| | | BQ294706, $R_{IN} = 1\text{ k}\Omega$ | | 4.550 | | V |
| | | BQ294707, $R_{IN} = 1\text{ k}\Omega$ | | 4.225 | | V |
| | | BQ294708, $R_{IN} = 1\text{ k}\Omega$ | | 4.500 | | V |
| | | BQ294711, $R_{IN} = 1\text{ k}\Omega$ | | 4.220 | | V |
| | | BQ294712, $R_{IN} = 1\text{ k}\Omega$ | | 4.125 | | V |
| | | BQ294713, $R_{IN} = 1\text{ k}\Omega$ | | 4.600 | | V |
| V_{HYS} | OV Detection Hysteresis | BQ2947 ⁽¹⁾ | 250 | 300 | 400 | mV |
| V_{OA} | OV Detection Accuracy | $T_A = 25^\circ\text{C}$ | -10 | | 10 | mV |
| $V_{OADRIFT}$ | OV Detection Accuracy Across Temperature | $T_A = -40^\circ\text{C}$ | -40 | | 40 | mV |
| | | $T_A = 0^\circ\text{C}$ | -20 | | 20 | mV |
| | | $T_A = 60^\circ\text{C}$ | -24 | | 24 | mV |
| | | $T_A = 110^\circ\text{C}$ | -54 | | 54 | mV |
| SUPPLY AND LEAKAGE CURRENT | | | | | | |
| I_{DD} | Supply Current | $(V_4-V_3) = (V_3-V_2) = (V_2-V_1) = (V_1-V_{SS}) = 4.0\text{ V}$ at $T_A = 25^\circ\text{C}$ (See Figure 8-4.) | | 1 | 2 | μA |
| I_{IN} | Input Current at V_x Pins | $(V_4-V_3) = (V_3-V_2) = (V_2-V_1) = (V_1-V_{SS}) = 4.0\text{ V}$ at $T_A = 25^\circ\text{C}$ (See Figure 8-4.) | -0.1 | | 0.1 | μA |
| I_{CELL} | Input Current (ALL V_x and V_{DD} Input Pins) | Current Consumption at Power down, $(V_4-V_3) = (V_3-V_2) = (V_2-V_1) = (V_1-V_{SS}) = 2.30\text{ V}$ at $T_A = 25^\circ\text{C}$ | | 1.1 | | μA |
| OUTPUT DRIVE OUT, CMOS ACTIVE HIGH VERSIONS ONLY | | | | | | |
| V_{OUT} | Output Drive Voltage, Active High | $(V_4-V_3), (V_3-V_2), (V_2-V_1),$ or $(V_1-V_{SS}) > V_{OV}$, $V_{DD} = 14.4\text{ V}$, $I_{OH} = 100\text{ }\mu\text{A}$ | 6 | | | V |
| | | If three of four cells are short circuited, only one cell remains powered and $> V_{OV}$, $V_{DD} = V_x$ (cell voltage), $I_{OH} = 100\text{ }\mu\text{A}$ | | $V_{DD} - 0.3$ | | V |
| | | $(V_4-V_3), (V_3-V_2), (V_2-V_1),$ and $(V_1-V_{SS}) < V_{OV}$, $V_{DD} = 14.4\text{ V}$, $I_{OL} = 100\text{ }\mu\text{A}$ measured into OUT pin. | | 250 | 400 | |
| I_{OUTH} | OUT Source Current (during OV) | $(V_4-V_3), (V_3-V_2), (V_2-V_1),$ or $(V_1-V_{SS}) > V_{OV}$, $V_{DD} = 14.4\text{ V}$, $OUT = 0\text{ V}$, measured out of OUT pin. | | | 4.5 | mA |
| I_{OUTL} | OUT Sink Current (no OV) | $(V_4-V_3), (V_3-V_2), (V_2-V_1),$ and $(V_1-V_{SS}) < V_{OV}$, $V_{DD} = 14.4\text{ V}$, $OUT = V_{DD}$, measured into OUT pin. Pull resistor $R_{PU} = 5\text{ k}\Omega$ to $V_{DD} = 14.4\text{ V}$ | 0.5 | | 14 | mA |
| OUTPUT DRIVE OUT, CMOS OPEN DRAIN ACTIVE LOW VERSIONS ONLY | | | | | | |
| V_{OUT} | Output Drive Voltage, Active High | $(V_4-V_3), (V_3-V_2), (V_2-V_1),$ and $(V_1-V_{SS}) < V_{OV}$, $V_{DD} = 14.4\text{ V}$, $I_{OL} = 100\text{ }\mu\text{A}$ measured into OUT pin. | | 250 | 400 | mV |

7.5 Electrical Characteristics (continued)

Typical values stated where $T_A = 25^\circ\text{C}$ and $V_{DD} = 14.4\text{V}$, MIN/MAX values stated where $T_A = -40^\circ\text{C}$ to $+110^\circ\text{C}$ and $V_{DD} = 3\text{V}$ to 20V (unless otherwise noted).

| PARAMETER | TEST CONDITIONS | MIN | TYP | MAX | UNIT |
|--|--|-----|-----|-----|------|
| I_{OUTL} OUT Sink Current (no OV) | (V4–V3), (V3–V2), (V2–V1), and (V1–VSS) < V_{OV} , $V_{\text{DD}} = 14.4\text{V}$, $\text{OUT} = V_{\text{DD}}$, measured into OUT pin. Pull resistor $R_{\text{PU}} = 5\text{k}\Omega$ to $V_{\text{DD}} = 14.4\text{V}$ | 0.5 | | 14 | mA |
| I_{OUTLK} OUT pin leakage | (V4–V3), (V3–V2), (V2–V1), and (V1–VSS) < V_{OV} , $V_{\text{DD}} = 14.4\text{V}$, $\text{OUT} = V_{\text{DD}}$, measured into OUT pin. | | | 100 | nA |
| DELAY TIMER | | | | | |
| t_{CD} OV Delay Time | $C_{\text{CD}} = 0.1\ \mu\text{F}$ (see External Delay Capacitor, CD) | 1 | 1.5 | 2 | s |
| $t_{\text{CD_GND}}$ OV Delay Time with CD pin = 0 V | Delay due to C_{CD} capacitor shorted to ground for Customer Test Mode | 20 | | 170 | ms |

(1) Future option, contact TI.

7.6 Typical Characteristics

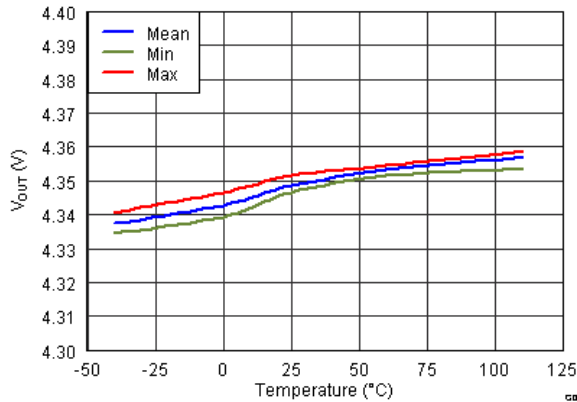


Figure 7-1. Overvoltage Threshold (Nominal = 4.35 V) vs. Temperature

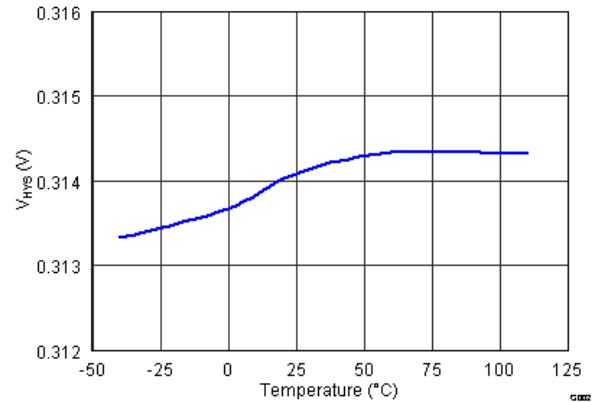


Figure 7-2. Hysteresis V_{HYS} vs. Temperature

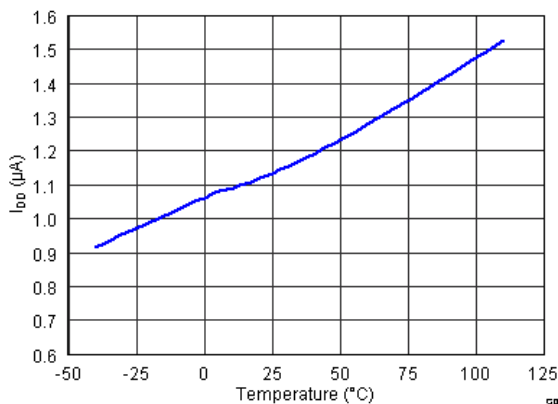


Figure 7-3. I_{DD} Current Consumption vs. Temperature at $V_{\text{DD}} = 16\text{V}$

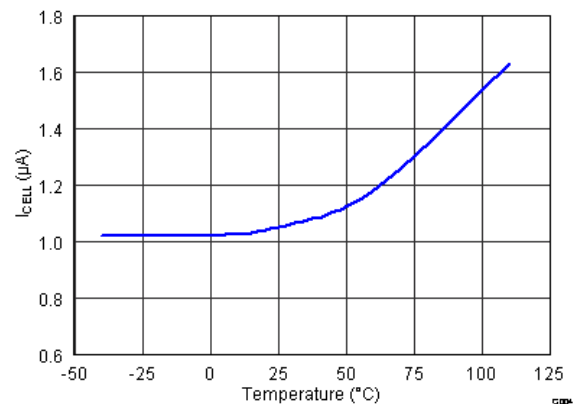


Figure 7-4. I_{CELL} vs. Temperature at $V_{\text{CELL}} = 9.2\text{V}$

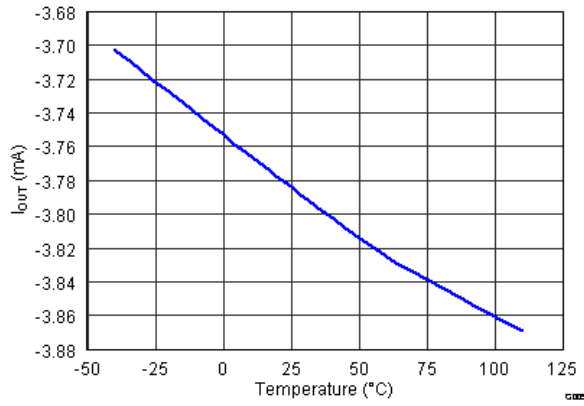


Figure 7-5. Output Current I_{OUT} vs. Temperature

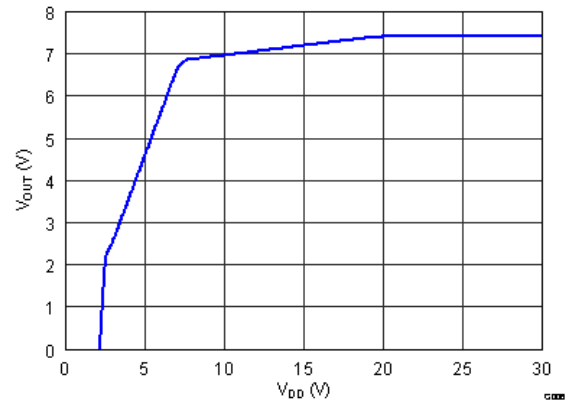


Figure 7-6. V_{OUT} vs. V_{DD}

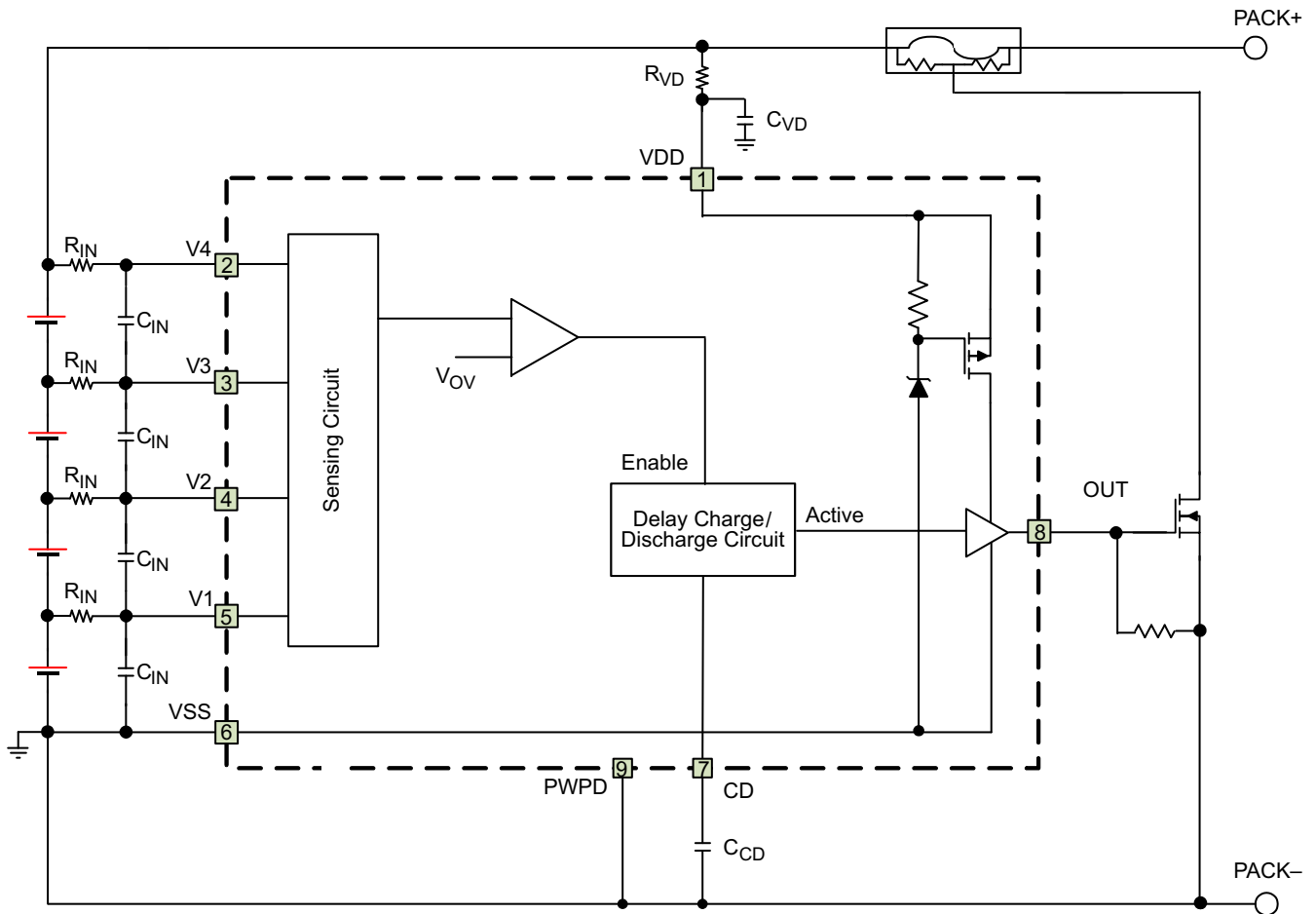
8 Detailed Description

8.1 Overview

The BQ2947 is a second level overvoltage (OV) protector. Each cell is monitored independently by comparing the actual cell voltage to a protection voltage threshold, V_{OV} . The protection threshold is preprogrammed at the factory with a range between 3.85 V and 4.65 V.

8.2 Functional Block Diagram

The Functional Block Diagram shows a CMOS Active High configuration.



Note

In the case of an Open Drain Active Low configuration, an external pull-up resistor is required on the OUT terminal.

8.3 Feature Description

In the BQ2947 family of devices, if any cell voltage exceeds the programmed OV value, a timer circuit is activated. This timer circuit charges the CD pin to a nominal value, then slowly discharges it with a fixed current back down to VSS. When the CD pin falls below a nominal threshold near VSS, the OUT terminal goes from inactive to active state. Additionally, a timeout detection circuit checks to ensure that the CD pin successfully begins charging to above VSS and subsequently drops back down to VSS, and if a timeout error is detected in either direction, it will similarly trigger the OUT pin to become active. See [Figure 8-2](#) for details on CD and OUT pin behavior during an overvoltage event.

For an NCH Open Drain Active Low configuration, the OUT pin pulls down to VSS when active (OV present) and is high impedance when inactive (no OV).

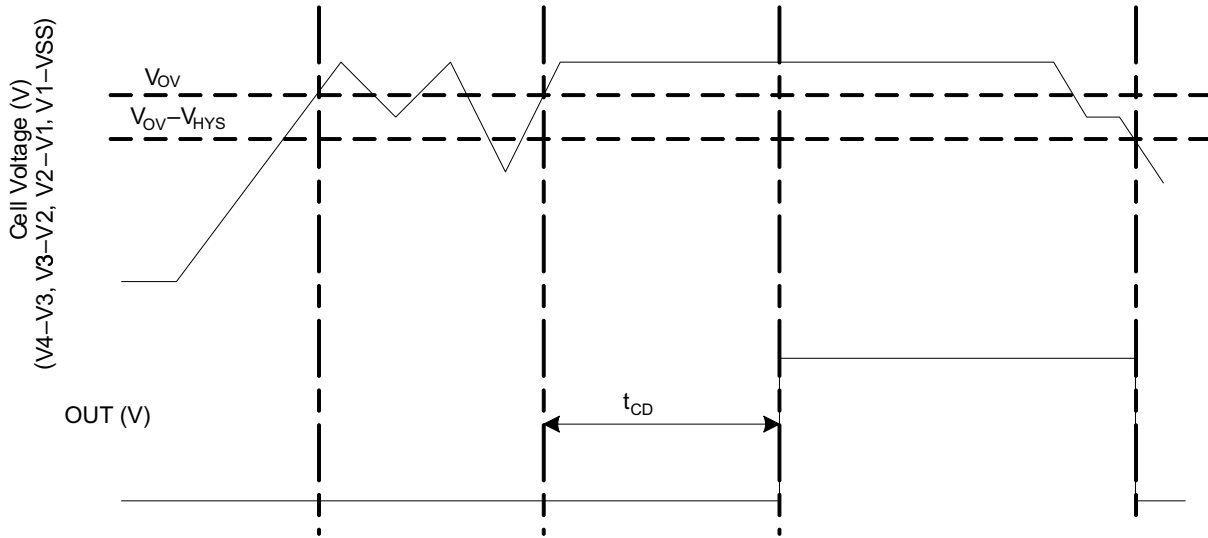


Figure 8-1. Timing for Overvoltage Sensing (OUT Pin Is Active High)

Figure 8-2 shows the behavior of CD pin during an OV sequence.

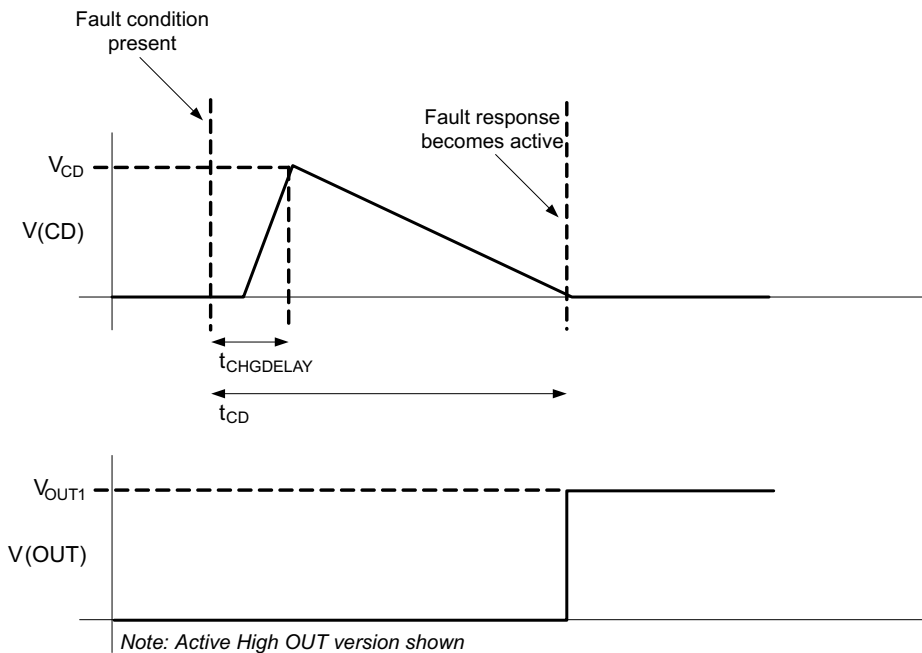


Figure 8-2. CD Pin Mechanism (OUT Pin Is Active High)

Note

In the case of an Open Drain Active Low version, the V_{OUT} signal will be high and transition to low state when the voltage on the V_{CD} capacitor discharges to the set level based on the t_{CD} timer.

8.3.1 Pin Details

8.3.1.1 Input Sense Voltage, Vx

These inputs sense each battery cell voltage. A series resistor and a capacitor across the cell for each input is required for noise filtering and stable voltage monitoring.

8.3.1.2 Output Drive, OUT

This terminal serves as the fault signal output, and may be ordered in either Active High or Open Drain Active Low options.

8.3.1.3 Supply Input, VDD

This terminal is the unregulated input power source for the IC. A series resistor is connected to limit the current, and a capacitor is connected to ground for noise filtering.

8.3.1.4 External Delay Capacitor, CD

This terminal is connected to an external capacitor that sets the delay timer during an overvoltage fault event.

The CD pin includes a timeout detection circuit to ensure that the output drives active even with a shorted or open capacitor during an overvoltage event.

The capacitor connected on the CD pin rapidly charges to a voltage if any one of the cell inputs exceeds the OV threshold. Then the delay circuit gradually discharges the capacitor on the CD pin. Once this capacitor discharges below a set voltage, the OUT transitions from an inactive to active state.

To calculate the delay, use the following equation:

$$t_{CD} \text{ (sec)} = K \times C_{CD} \text{ (\mu F)}, \text{ where } K = 10 \text{ to } 20 \text{ range.} \quad (1)$$

Example: If $C_{CD} = 0.1 \mu\text{F}$ (typical), then the delay timer range is

$$t_{CD} \text{ (s)} = 10 \times 0.1 = 1 \text{ s (Minimum)}$$

$$t_{CD} \text{ (s)} = 20 \times 0.1 = 2 \text{ s (Maximum)}$$

Note

The tolerance on the capacitor used for C_{CD} increases the range of the t_{CD} timer.

8.4 Device Functional Modes

8.4.1 NORMAL Mode

When all of the cell voltages are below the overvoltage threshold, V_{OV} , the device operates in NORMAL mode. The device monitors the differential cell voltages connected across (V1–VSS), (V2–V1), (V3–V2), and (V4–V3). The OUT pin is inactive, and is low if configured active high, or, if configured active low, is an open drain being externally pulled up.

8.4.2 OVERVOLTAGE Mode

OVERVOLTAGE mode is detected if any of the cell voltage exceeds the overvoltage threshold, V_{OV} for configured OV delay time. The OUT pin is activated after a delay time set by the capacitance in the CD pin. The OUT pin will either pull high internally, if configured as active high, or will be pulled low internally if configured as active low. An external FET is then turned on, shorting the fuse to ground, which allows the battery and/or charger power to blow the fuse. When all of the cell voltages fall below the ($V_{OV} - V_{HYS}$), the device returns to NORMAL mode.

8.4.3 Customer Test Mode

It is possible to reduce test time for checking the overvoltage function by simply shorting the external CD capacitor to VSS. In this case, the OV delay would be reduced to the $t_{(CD_GND)}$ value, which has a maximum of 170 ms.

Figure 8-3 shows the timing for the Customer Test Mode.

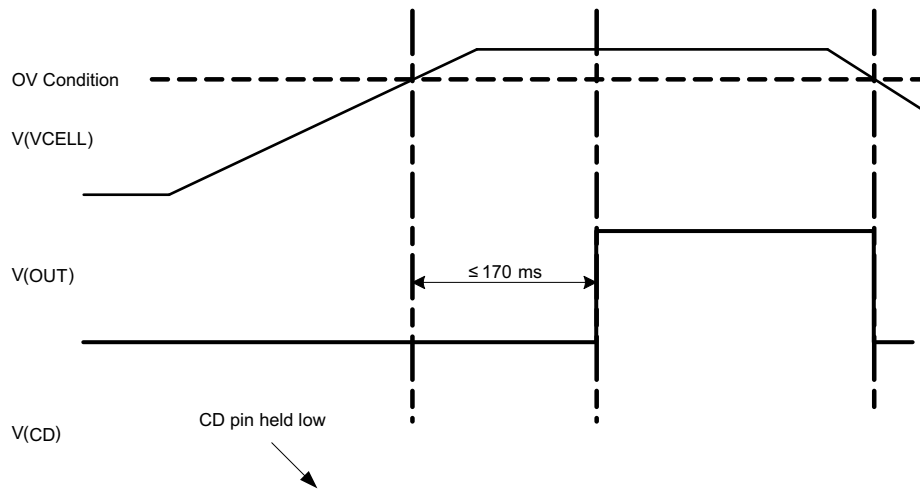
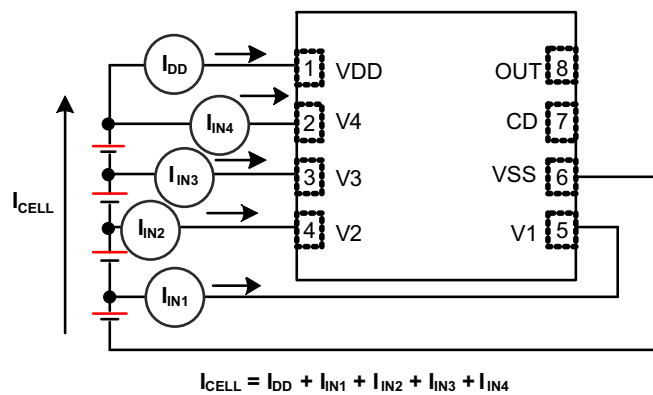


Figure 8-3. Timing for Customer Test Mode

Figure 8-4 shows the measurement for current consumption of the product for both VDD and Vx.



$$I_{CELL} = I_{DD} + I_{IN1} + I_{IN2} + I_{IN3} + I_{IN4}$$

Figure 8-4. Configuration for IC Current Consumption Test

9 Application and Implementation

Note

Information in the following applications sections is not part of the TI component specification, and TI does not warrant its accuracy or completeness. TI's customers are responsible for determining suitability of components for their purposes, as well as validating and testing their design implementation to confirm system functionality.

9.1 Application Information

The BQ2947 devices are a family of second-level protectors used for overvoltage protection of the battery pack in the application. The device, when configuring the OUT pin with active high, drives a NMOS FET that connects the fuse to ground in the event of a fault condition. This provides a shorted path to use the battery and/or charger power to blow the fuse and cut the power path. The OUT pin, when configured as active low, can be used to drive a PMOS FET to connect the fuse to ground instead.

9.2 Typical Applications

9.2.1 Application Configuration for Active High

Figure 9-1 shows the recommended reference design components.

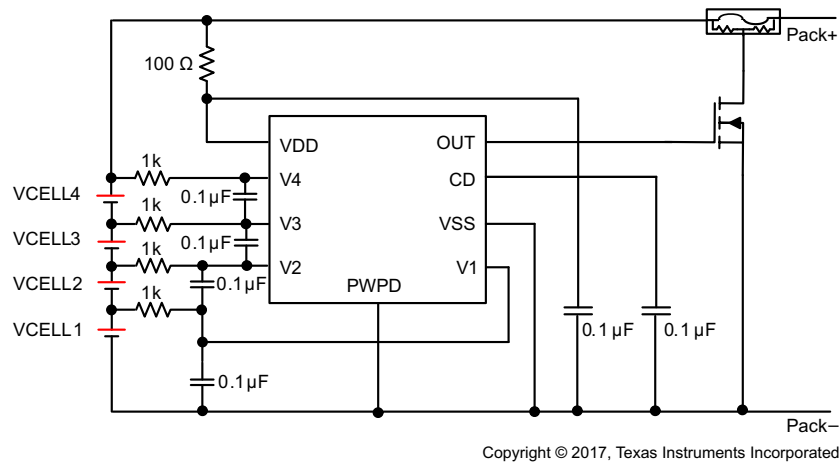


Figure 9-1. Application Configuration for Active High

9.2.1.1 Design Requirements

Note

In the case of an Open Drain Active Low configuration, an external pull-up resistor is required on the OUT terminal.

Changes to the ranges stated in Table 9-1 will impact the accuracy of the cell measurements.

Table 9-1. Parameters

| PARAMETER | EXTERNAL COMPONENT | MIN | NOM | MAX | UNIT |
|------------------------------------|--------------------|------|------|------|----------|
| Voltage monitor filter resistance | R_{IN} | 900 | 1000 | 4700 | Ω |
| Voltage monitor filter capacitance | C_{IN} | 0.01 | 0.1 | 1.0 | μF |
| Supply voltage filter resistance | R_{VD} | 100 | | 1000 | Ω |
| Supply voltage filter capacitance | C_{VD} | | 0.1 | 1.0 | μF |
| CD external delay capacitance | C_{CD} | | 0.1 | 1.0 | μF |

Note

The device is calibrated using an R_{IN} value = 1 k Ω . Using a value other than this recommended value changes the accuracy of the cell voltage measurements and V_{OV} trigger level.

9.2.1.2 Detailed Design Procedure

1. Determine the number of cell in series.

The device supports 2-S to 4-S cell configuration. For 2S and 3S, the top unused pin(s) should be shorted as shown in Figure 9-2 and Figure 9-3.

2. Determine the overvoltage protection delay.

Follow the calculation example described in CD pin description. Select the right capacitor to connect to the CD pin.

3. Follow the application schematic to connect the device. If the OUT pin is configured to open drain, an external pull up resistor should be used.

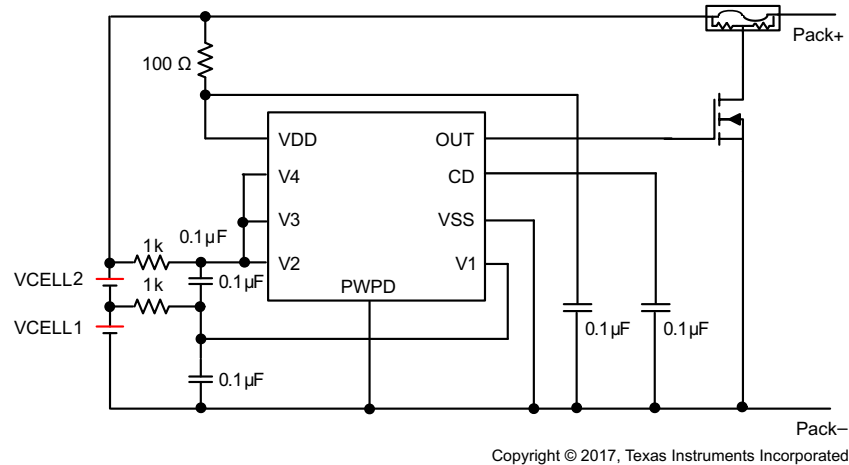


Figure 9-2. 2-Series Cell Configuration

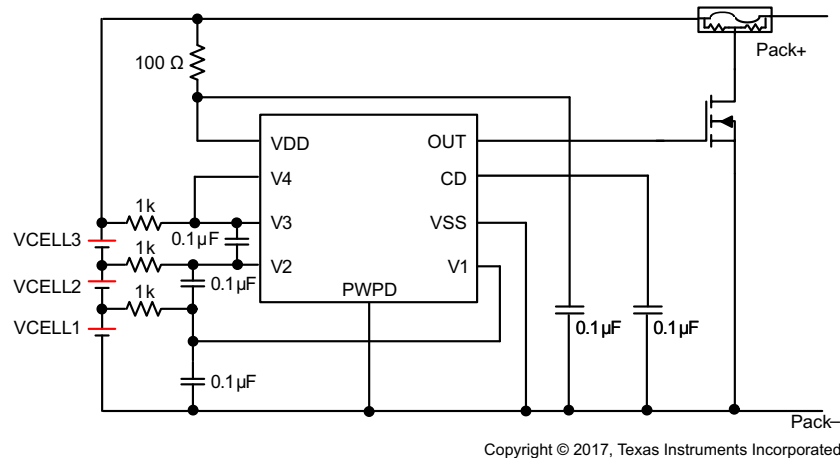


Figure 9-3. 3-Series Cell Configuration

9.2.1.3 Application Curves

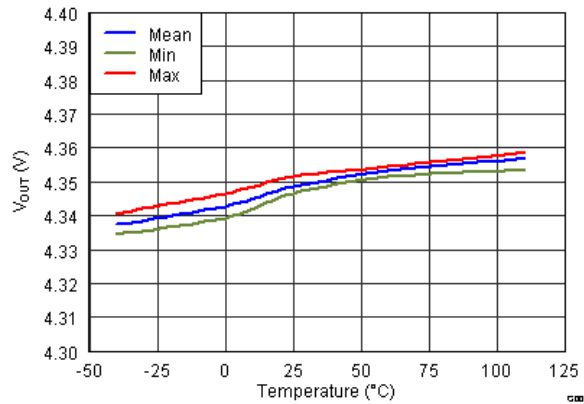


Figure 9-4. Overvoltage Threshold (OVT) vs. Temperature

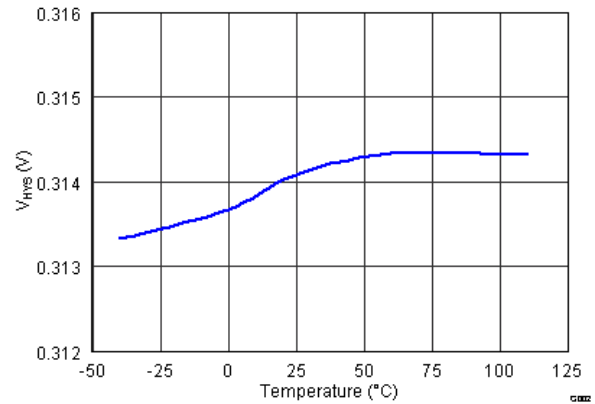


Figure 9-5. Hysteresis V_{HYS} vs. Temperature

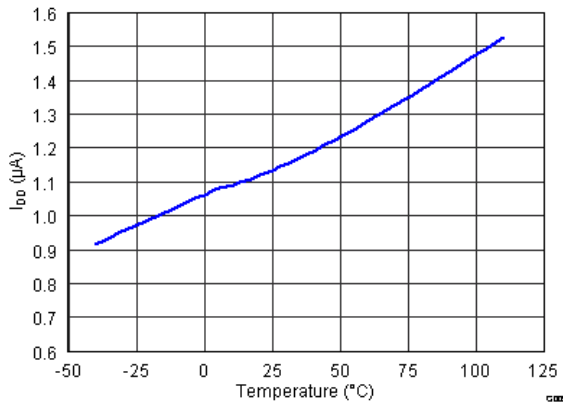


Figure 9-6. I_{DD} Current Consumption vs. Temperature at $V_{DD} = 16\text{ V}$

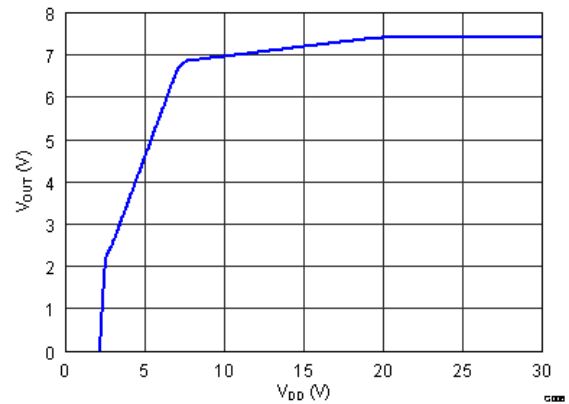


Figure 9-7. V_{OUT} vs. V_{DD}

10 Power Supply Recommendations

The maximum power of this device is 20 W on V_{DD} .

11 Layout

11.1 Layout Guidelines

1. Ensure the RC filters for the V_x pins and V_{DD} pin are placed as close as possible to the target terminal, reducing the tracing loop area.
2. The capacitor for CD should be placed close to the IC terminals.
3. Ensure the trace connecting the fuse to the gate, source of the NFET to the $Pack-$ is sufficient to withstand the current during fuse blown event.

11.2 Layout Example

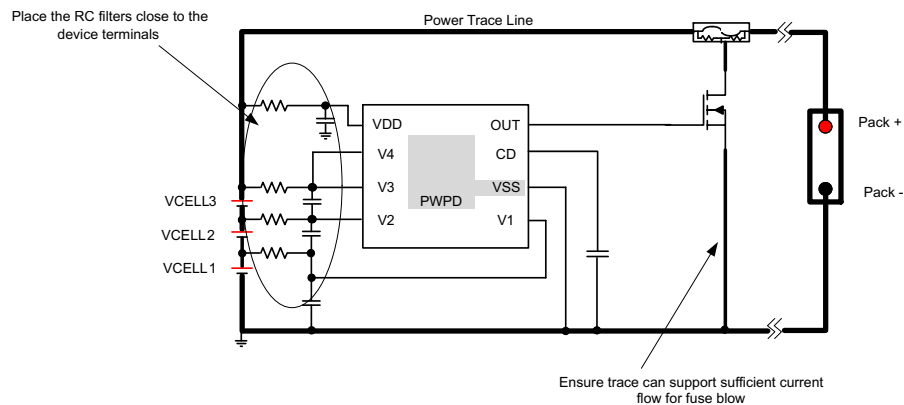


Figure 11-1. Layout Example

12 Device and Documentation Support

12.1 Third-Party Products Disclaimer

TI'S PUBLICATION OF INFORMATION REGARDING THIRD-PARTY PRODUCTS OR SERVICES DOES NOT CONSTITUTE AN ENDORSEMENT REGARDING THE SUITABILITY OF SUCH PRODUCTS OR SERVICES OR A WARRANTY, REPRESENTATION OR ENDORSEMENT OF SUCH PRODUCTS OR SERVICES, EITHER ALONE OR IN COMBINATION WITH ANY TI PRODUCT OR SERVICE.

12.2 Documentation Support

12.2.1 Related Documentation

For related documentation, see [BQ2945xy and BQ2947xy Cascade Voltage Monitoring \(SLUA662\)](#).

12.3 Receiving Notification of Documentation Updates

To receive notification of documentation updates, navigate to the device product folder on [ti.com](#). In the upper right corner, click on *Alert me* to register and receive a weekly digest of any product information that has changed. For change details, review the revision history included in any revised document.

12.4 Support Resources

[TI E2E™ support forums](#) are an engineer's go-to source for fast, verified answers and design help — straight from the experts. Search existing answers or ask your own question to get the quick design help you need.

Linked content is provided "AS IS" by the respective contributors. They do not constitute TI specifications and do not necessarily reflect TI's views; see TI's [Terms of Use](#).

12.5 Trademarks

PowerPAD™ and TI E2E™ are trademarks of Texas Instruments.

All trademarks are the property of their respective owners.

12.6 Electrostatic Discharge Caution



This integrated circuit can be damaged by ESD. Texas Instruments recommends that all integrated circuits be handled with appropriate precautions. Failure to observe proper handling and installation procedures can cause damage.

ESD damage can range from subtle performance degradation to complete device failure. Precision integrated circuits may be more susceptible to damage because very small parametric changes could cause the device not to meet its published specifications.

12.7 Glossary

[TI Glossary](#) This glossary lists and explains terms, acronyms, and definitions.

13 Mechanical, Packaging, and Orderable Information

The following pages include mechanical, packaging, and orderable information. This information is the most current data available for the designated devices. This data is subject to change without notice and revision of this document. For browser-based versions of this data sheet, refer to the left-hand navigation.

PACKAGING INFORMATION

| Orderable Device | Status (1) | Package Type | Package Drawing | Pins | Package Qty | Eco Plan (2) | Lead finish/ Ball material (6) | MSL Peak Temp (3) | Op Temp (°C) | Device Marking (4/5) | Samples |
|------------------|---------------|--------------|-----------------|------|-------------|-----------------|--------------------------------------|----------------------|--------------|-------------------------|-------------------------|
| BQ294700DSGR | ACTIVE | WSON | DSG | 8 | 3000 | RoHS & Green | NIPDAU | Level-2-260C-1 YEAR | -40 to 85 | 700 | Samples |
| BQ294700DSGT | ACTIVE | WSON | DSG | 8 | 250 | RoHS & Green | NIPDAU | Level-2-260C-1 YEAR | -40 to 85 | 700 | Samples |
| BQ294701DSGR | ACTIVE | WSON | DSG | 8 | 3000 | RoHS & Green | NIPDAU | Level-2-260C-1 YEAR | -40 to 85 | 701 | Samples |
| BQ294701DSGT | ACTIVE | WSON | DSG | 8 | 250 | RoHS & Green | NIPDAU | Level-2-260C-1 YEAR | -40 to 85 | 701 | Samples |
| BQ294702DSGR | ACTIVE | WSON | DSG | 8 | 3000 | RoHS & Green | NIPDAU | Level-2-260C-1 YEAR | -40 to 85 | 702 | Samples |
| BQ294702DSGT | ACTIVE | WSON | DSG | 8 | 250 | RoHS & Green | NIPDAU | Level-2-260C-1 YEAR | -40 to 85 | 702 | Samples |
| BQ294703DSGR | ACTIVE | WSON | DSG | 8 | 3000 | RoHS & Green | NIPDAU | Level-1-260C-UNLIM | -40 to 85 | 703 | Samples |
| BQ294703DSGT | ACTIVE | WSON | DSG | 8 | 250 | RoHS & Green | NIPDAU | Level-1-260C-UNLIM | -40 to 85 | 703 | Samples |
| BQ294704DSGR | ACTIVE | WSON | DSG | 8 | 3000 | RoHS & Green | NIPDAU | Level-2-260C-1 YEAR | -40 to 85 | 704 | Samples |
| BQ294704DSGT | ACTIVE | WSON | DSG | 8 | 250 | RoHS & Green | NIPDAU | Level-2-260C-1 YEAR | -40 to 85 | 704 | Samples |
| BQ294705DSGR | ACTIVE | WSON | DSG | 8 | 3000 | RoHS & Green | NIPDAU | Level-2-260C-1 YEAR | -40 to 85 | 705 | Samples |
| BQ294705DSGT | ACTIVE | WSON | DSG | 8 | 250 | RoHS & Green | NIPDAU | Level-2-260C-1 YEAR | -40 to 85 | 705 | Samples |
| BQ294706DSGR | ACTIVE | WSON | DSG | 8 | 3000 | RoHS & Green | NIPDAU | Level-1-260C-UNLIM | -40 to 85 | 706 | Samples |
| BQ294706DSGT | ACTIVE | WSON | DSG | 8 | 250 | RoHS & Green | NIPDAU | Level-1-260C-UNLIM | -40 to 85 | 706 | Samples |
| BQ294707DSGR | ACTIVE | WSON | DSG | 8 | 3000 | RoHS & Green | NIPDAU | Level-1-260C-UNLIM | -40 to 85 | 707 | Samples |
| BQ294707DSGT | ACTIVE | WSON | DSG | 8 | 250 | RoHS & Green | NIPDAU | Level-1-260C-UNLIM | -40 to 85 | 707 | Samples |
| BQ294708DSGR | ACTIVE | WSON | DSG | 8 | 3000 | RoHS & Green | Call TI NIPDAU | Level-2-260C-1 YEAR | -40 to 85 | 708 | Samples |
| BQ294708DSGT | ACTIVE | WSON | DSG | 8 | 250 | RoHS & Green | Call TI NIPDAU | Level-2-260C-1 YEAR | -40 to 85 | 708 | Samples |
| BQ294711DSGR | ACTIVE | WSON | DSG | 8 | 3000 | RoHS & Green | NIPDAU | Level-2-260C-1 YEAR | -40 to 85 | 711 | Samples |
| BQ294711DSGT | ACTIVE | WSON | DSG | 8 | 250 | RoHS & Green | NIPDAU | Level-2-260C-1 YEAR | -40 to 85 | 711 | Samples |

| Orderable Device | Status (1) | Package Type | Package Drawing | Pins | Package Qty | Eco Plan (2) | Lead finish/ Ball material (6) | MSL Peak Temp (3) | Op Temp (°C) | Device Marking (4/5) | Samples |
|------------------|---------------|--------------|-----------------|------|-------------|-----------------|--------------------------------------|----------------------|--------------|-------------------------|-------------------------|
| BQ294712DSGR | ACTIVE | WSON | DSG | 8 | 3000 | RoHS & Green | NIPDAU | Level-2-260C-1 YEAR | -40 to 110 | 712 | Samples |
| BQ294712DSGT | ACTIVE | WSON | DSG | 8 | 250 | RoHS & Green | NIPDAU | Level-2-260C-1 YEAR | -40 to 110 | 712 | Samples |
| BQ294713DSGR | ACTIVE | WSON | DSG | 8 | 3000 | RoHS & Green | NIPDAU | Level-2-260C-1 YEAR | -40 to 110 | 713 | Samples |
| BQ294713DSGT | ACTIVE | WSON | DSG | 8 | 250 | RoHS & Green | NIPDAU | Level-2-260C-1 YEAR | -40 to 110 | 713 | Samples |

(1) The marketing status values are defined as follows:

ACTIVE: Product device recommended for new designs.

LIFEBUY: TI has announced that the device will be discontinued, and a lifetime-buy period is in effect.

NRND: Not recommended for new designs. Device is in production to support existing customers, but TI does not recommend using this part in a new design.

PREVIEW: Device has been announced but is not in production. Samples may or may not be available.

OBSOLETE: TI has discontinued the production of the device.

(2) **RoHS:** TI defines "RoHS" to mean semiconductor products that are compliant with the current EU RoHS requirements for all 10 RoHS substances, including the requirement that RoHS substance do not exceed 0.1% by weight in homogeneous materials. Where designed to be soldered at high temperatures, "RoHS" products are suitable for use in specified lead-free processes. TI may reference these types of products as "Pb-Free".

RoHS Exempt: TI defines "RoHS Exempt" to mean products that contain lead but are compliant with EU RoHS pursuant to a specific EU RoHS exemption.

Green: TI defines "Green" to mean the content of Chlorine (Cl) and Bromine (Br) based flame retardants meet JS709B low halogen requirements of <=1000ppm threshold. Antimony trioxide based flame retardants must also meet the <=1000ppm threshold requirement.

(3) MSL, Peak Temp. - The Moisture Sensitivity Level rating according to the JEDEC industry standard classifications, and peak solder temperature.

(4) There may be additional marking, which relates to the logo, the lot trace code information, or the environmental category on the device.

(5) Multiple Device Markings will be inside parentheses. Only one Device Marking contained in parentheses and separated by a "~" will appear on a device. If a line is indented then it is a continuation of the previous line and the two combined represent the entire Device Marking for that device.

(6) Lead finish/Ball material - Orderable Devices may have multiple material finish options. Finish options are separated by a vertical ruled line. Lead finish/Ball material values may wrap to two lines if the finish value exceeds the maximum column width.

Important Information and Disclaimer: The information provided on this page represents TI's knowledge and belief as of the date that it is provided. TI bases its knowledge and belief on information provided by third parties, and makes no representation or warranty as to the accuracy of such information. Efforts are underway to better integrate information from third parties. TI has taken and continues to take reasonable steps to provide representative and accurate information but may not have conducted destructive testing or chemical analysis on incoming materials and chemicals. TI and TI suppliers consider certain information to be proprietary, and thus CAS numbers and other limited information may not be available for release.

In no event shall TI's liability arising out of such information exceed the total purchase price of the TI part(s) at issue in this document sold by TI to Customer on an annual basis.

TAPE AND REEL INFORMATION



QUADRANT ASSIGNMENTS FOR PIN 1 ORIENTATION IN TAPE



*All dimensions are nominal

| Device | Package Type | Package Drawing | Pins | SPQ | Reel Diameter (mm) | Reel Width W1 (mm) | A0 (mm) | B0 (mm) | K0 (mm) | P1 (mm) | W (mm) | Pin1 Quadrant |
|--------------|--------------|-----------------|------|------|--------------------|--------------------|---------|---------|---------|---------|--------|---------------|
| BQ294700DSGR | WS0N | DSG | 8 | 3000 | 180.0 | 8.4 | 2.3 | 2.3 | 1.15 | 4.0 | 8.0 | Q2 |
| BQ294700DSGR | WS0N | DSG | 8 | 3000 | 180.0 | 8.4 | 2.3 | 2.3 | 1.15 | 4.0 | 8.0 | Q2 |
| BQ294700DSGT | WS0N | DSG | 8 | 250 | 180.0 | 8.4 | 2.3 | 2.3 | 1.15 | 4.0 | 8.0 | Q2 |
| BQ294700DSGT | WS0N | DSG | 8 | 250 | 180.0 | 8.4 | 2.3 | 2.3 | 1.15 | 4.0 | 8.0 | Q2 |
| BQ294701DSGR | WS0N | DSG | 8 | 3000 | 180.0 | 8.4 | 2.3 | 2.3 | 1.15 | 4.0 | 8.0 | Q2 |
| BQ294701DSGR | WS0N | DSG | 8 | 3000 | 180.0 | 8.4 | 2.3 | 2.3 | 1.15 | 4.0 | 8.0 | Q2 |
| BQ294701DSGT | WS0N | DSG | 8 | 250 | 180.0 | 8.4 | 2.3 | 2.3 | 1.15 | 4.0 | 8.0 | Q2 |
| BQ294701DSGT | WS0N | DSG | 8 | 250 | 180.0 | 8.4 | 2.3 | 2.3 | 1.15 | 4.0 | 8.0 | Q2 |
| BQ294702DSGR | WS0N | DSG | 8 | 3000 | 180.0 | 8.4 | 2.3 | 2.3 | 1.15 | 4.0 | 8.0 | Q2 |
| BQ294702DSGR | WS0N | DSG | 8 | 3000 | 180.0 | 8.4 | 2.3 | 2.3 | 1.15 | 4.0 | 8.0 | Q2 |
| BQ294702DSGT | WS0N | DSG | 8 | 250 | 180.0 | 8.4 | 2.3 | 2.3 | 1.15 | 4.0 | 8.0 | Q2 |
| BQ294702DSGT | WS0N | DSG | 8 | 250 | 180.0 | 8.4 | 2.3 | 2.3 | 1.15 | 4.0 | 8.0 | Q2 |
| BQ294703DSGR | WS0N | DSG | 8 | 3000 | 180.0 | 8.4 | 2.3 | 2.3 | 1.15 | 4.0 | 8.0 | Q2 |
| BQ294703DSGT | WS0N | DSG | 8 | 250 | 180.0 | 8.4 | 2.3 | 2.3 | 1.15 | 4.0 | 8.0 | Q2 |
| BQ294704DSGR | WS0N | DSG | 8 | 3000 | 180.0 | 8.4 | 2.3 | 2.3 | 1.15 | 4.0 | 8.0 | Q2 |
| BQ294704DSGR | WS0N | DSG | 8 | 3000 | 180.0 | 8.4 | 2.3 | 2.3 | 1.15 | 4.0 | 8.0 | Q2 |

| Device | Package Type | Package Drawing | Pins | SPQ | Reel Diameter (mm) | Reel Width W1 (mm) | A0 (mm) | B0 (mm) | K0 (mm) | P1 (mm) | W (mm) | Pin1 Quadrant |
|--------------|--------------|-----------------|------|------|--------------------|--------------------|---------|---------|---------|---------|--------|---------------|
| BQ294704DSGT | WSON | DSG | 8 | 250 | 180.0 | 8.4 | 2.3 | 2.3 | 1.15 | 4.0 | 8.0 | Q2 |
| BQ294704DSGT | WSON | DSG | 8 | 250 | 180.0 | 8.4 | 2.3 | 2.3 | 1.15 | 4.0 | 8.0 | Q2 |
| BQ294705DSGR | WSON | DSG | 8 | 3000 | 180.0 | 8.4 | 2.3 | 2.3 | 1.15 | 4.0 | 8.0 | Q2 |
| BQ294705DSGR | WSON | DSG | 8 | 3000 | 180.0 | 8.4 | 2.3 | 2.3 | 1.15 | 4.0 | 8.0 | Q2 |
| BQ294705DSGT | WSON | DSG | 8 | 250 | 180.0 | 8.4 | 2.3 | 2.3 | 1.15 | 4.0 | 8.0 | Q2 |
| BQ294705DSGT | WSON | DSG | 8 | 250 | 180.0 | 8.4 | 2.3 | 2.3 | 1.15 | 4.0 | 8.0 | Q2 |
| BQ294706DSGR | WSON | DSG | 8 | 3000 | 180.0 | 8.4 | 2.3 | 2.3 | 1.15 | 4.0 | 8.0 | Q2 |
| BQ294706DSGT | WSON | DSG | 8 | 250 | 180.0 | 8.4 | 2.3 | 2.3 | 1.15 | 4.0 | 8.0 | Q2 |
| BQ294707DSGR | WSON | DSG | 8 | 3000 | 180.0 | 8.4 | 2.3 | 2.3 | 1.15 | 4.0 | 8.0 | Q2 |
| BQ294707DSGT | WSON | DSG | 8 | 250 | 180.0 | 8.4 | 2.3 | 2.3 | 1.15 | 4.0 | 8.0 | Q2 |
| BQ294708DSGR | WSON | DSG | 8 | 3000 | 180.0 | 8.4 | 2.3 | 2.3 | 1.15 | 4.0 | 8.0 | Q2 |
| BQ294708DSGT | WSON | DSG | 8 | 250 | 180.0 | 8.4 | 2.3 | 2.3 | 1.15 | 4.0 | 8.0 | Q2 |
| BQ294711DSGR | WSON | DSG | 8 | 3000 | 180.0 | 8.4 | 2.3 | 2.3 | 1.15 | 4.0 | 8.0 | Q2 |
| BQ294711DSGR | WSON | DSG | 8 | 3000 | 180.0 | 8.4 | 2.3 | 2.3 | 1.15 | 4.0 | 8.0 | Q2 |
| BQ294711DSGT | WSON | DSG | 8 | 250 | 180.0 | 8.4 | 2.3 | 2.3 | 1.15 | 4.0 | 8.0 | Q2 |
| BQ294711DSGT | WSON | DSG | 8 | 250 | 180.0 | 8.4 | 2.3 | 2.3 | 1.15 | 4.0 | 8.0 | Q2 |
| BQ294712DSGR | WSON | DSG | 8 | 3000 | 180.0 | 8.4 | 2.3 | 2.3 | 1.15 | 4.0 | 8.0 | Q2 |
| BQ294712DSGR | WSON | DSG | 8 | 3000 | 180.0 | 8.4 | 2.3 | 2.3 | 1.15 | 4.0 | 8.0 | Q2 |
| BQ294712DSGT | WSON | DSG | 8 | 250 | 180.0 | 8.4 | 2.3 | 2.3 | 1.15 | 4.0 | 8.0 | Q2 |
| BQ294712DSGT | WSON | DSG | 8 | 250 | 180.0 | 8.4 | 2.3 | 2.3 | 1.15 | 4.0 | 8.0 | Q2 |
| BQ294713DSGR | WSON | DSG | 8 | 3000 | 180.0 | 8.4 | 2.3 | 2.3 | 1.15 | 4.0 | 8.0 | Q2 |
| BQ294713DSGR | WSON | DSG | 8 | 3000 | 180.0 | 8.4 | 2.3 | 2.3 | 1.15 | 4.0 | 8.0 | Q2 |
| BQ294713DSGT | WSON | DSG | 8 | 250 | 180.0 | 8.4 | 2.3 | 2.3 | 1.15 | 4.0 | 8.0 | Q2 |
| BQ294713DSGT | WSON | DSG | 8 | 250 | 180.0 | 8.4 | 2.3 | 2.3 | 1.15 | 4.0 | 8.0 | Q2 |

TAPE AND REEL BOX DIMENSIONS


*All dimensions are nominal

| Device | Package Type | Package Drawing | Pins | SPQ | Length (mm) | Width (mm) | Height (mm) |
|--------------|--------------|-----------------|------|------|-------------|------------|-------------|
| BQ294700DSGR | WSO | DSG | 8 | 3000 | 210.0 | 185.0 | 35.0 |
| BQ294700DSGR | WSO | DSG | 8 | 3000 | 210.0 | 185.0 | 35.0 |
| BQ294700DSGT | WSO | DSG | 8 | 250 | 210.0 | 185.0 | 35.0 |
| BQ294700DSGT | WSO | DSG | 8 | 250 | 210.0 | 185.0 | 35.0 |
| BQ294701DSGR | WSO | DSG | 8 | 3000 | 210.0 | 185.0 | 35.0 |
| BQ294701DSGR | WSO | DSG | 8 | 3000 | 210.0 | 185.0 | 35.0 |
| BQ294701DSGT | WSO | DSG | 8 | 250 | 210.0 | 185.0 | 35.0 |
| BQ294701DSGT | WSO | DSG | 8 | 250 | 210.0 | 185.0 | 35.0 |
| BQ294702DSGR | WSO | DSG | 8 | 3000 | 210.0 | 185.0 | 35.0 |
| BQ294702DSGR | WSO | DSG | 8 | 3000 | 210.0 | 185.0 | 35.0 |
| BQ294702DSGT | WSO | DSG | 8 | 250 | 210.0 | 185.0 | 35.0 |
| BQ294702DSGT | WSO | DSG | 8 | 250 | 210.0 | 185.0 | 35.0 |
| BQ294703DSGR | WSO | DSG | 8 | 3000 | 182.0 | 182.0 | 20.0 |
| BQ294703DSGT | WSO | DSG | 8 | 250 | 182.0 | 182.0 | 20.0 |
| BQ294704DSGR | WSO | DSG | 8 | 3000 | 210.0 | 185.0 | 35.0 |
| BQ294704DSGR | WSO | DSG | 8 | 3000 | 210.0 | 185.0 | 35.0 |
| BQ294704DSGT | WSO | DSG | 8 | 250 | 210.0 | 185.0 | 35.0 |
| BQ294704DSGT | WSO | DSG | 8 | 250 | 210.0 | 185.0 | 35.0 |

| Device | Package Type | Package Drawing | Pins | SPQ | Length (mm) | Width (mm) | Height (mm) |
|--------------|--------------|-----------------|------|------|-------------|------------|-------------|
| BQ294705DSGR | WSON | DSG | 8 | 3000 | 210.0 | 185.0 | 35.0 |
| BQ294705DSGR | WSON | DSG | 8 | 3000 | 210.0 | 185.0 | 35.0 |
| BQ294705DSGT | WSON | DSG | 8 | 250 | 210.0 | 185.0 | 35.0 |
| BQ294705DSGT | WSON | DSG | 8 | 250 | 210.0 | 185.0 | 35.0 |
| BQ294706DSGR | WSON | DSG | 8 | 3000 | 182.0 | 182.0 | 20.0 |
| BQ294706DSGT | WSON | DSG | 8 | 250 | 182.0 | 182.0 | 20.0 |
| BQ294707DSGR | WSON | DSG | 8 | 3000 | 182.0 | 182.0 | 20.0 |
| BQ294707DSGT | WSON | DSG | 8 | 250 | 182.0 | 182.0 | 20.0 |
| BQ294708DSGR | WSON | DSG | 8 | 3000 | 210.0 | 185.0 | 35.0 |
| BQ294708DSGT | WSON | DSG | 8 | 250 | 210.0 | 185.0 | 35.0 |
| BQ294711DSGR | WSON | DSG | 8 | 3000 | 210.0 | 185.0 | 35.0 |
| BQ294711DSGR | WSON | DSG | 8 | 3000 | 210.0 | 185.0 | 35.0 |
| BQ294711DSGT | WSON | DSG | 8 | 250 | 210.0 | 185.0 | 35.0 |
| BQ294711DSGT | WSON | DSG | 8 | 250 | 210.0 | 185.0 | 35.0 |
| BQ294712DSGR | WSON | DSG | 8 | 3000 | 210.0 | 185.0 | 35.0 |
| BQ294712DSGR | WSON | DSG | 8 | 3000 | 210.0 | 185.0 | 35.0 |
| BQ294712DSGT | WSON | DSG | 8 | 250 | 210.0 | 185.0 | 35.0 |
| BQ294712DSGT | WSON | DSG | 8 | 250 | 210.0 | 185.0 | 35.0 |
| BQ294713DSGR | WSON | DSG | 8 | 3000 | 210.0 | 185.0 | 35.0 |
| BQ294713DSGR | WSON | DSG | 8 | 3000 | 210.0 | 185.0 | 35.0 |
| BQ294713DSGT | WSON | DSG | 8 | 250 | 210.0 | 185.0 | 35.0 |
| BQ294713DSGT | WSON | DSG | 8 | 250 | 210.0 | 185.0 | 35.0 |

GENERIC PACKAGE VIEW

DSG 8

WSON - 0.8 mm max height

2 x 2, 0.5 mm pitch

PLASTIC SMALL OUTLINE - NO LEAD

This image is a representation of the package family, actual package may vary.
Refer to the product data sheet for package details.



4224783/A

DSG0008A



PACKAGE OUTLINE

WSON - 0.8 mm max height

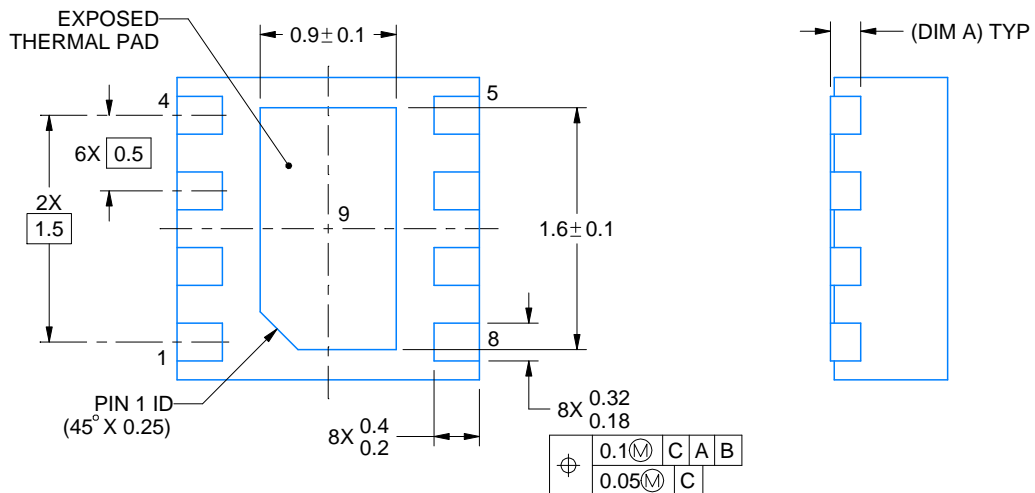
PLASTIC SMALL OUTLINE - NO LEAD



ALTERNATIVE TERMINAL SHAPE TYPICAL



| SIDE WALL METAL THICKNESS DIM A | |
|---------------------------------|----------|
| OPTION 1 | OPTION 2 |
| 0.1 | 0.2 |



4218900/E 08/2022

NOTES:

1. All linear dimensions are in millimeters. Any dimensions in parenthesis are for reference only. Dimensioning and tolerancing per ASME Y14.5M.
2. This drawing is subject to change without notice.
3. The package thermal pad must be soldered to the printed circuit board for thermal and mechanical performance.

EXAMPLE BOARD LAYOUT

DSG0008A

WSON - 0.8 mm max height

PLASTIC SMALL OUTLINE - NO LEAD



LAND PATTERN EXAMPLE
SCALE:20X



SOLDER MASK DETAILS

4218900/E 08/2022

NOTES: (continued)

4. This package is designed to be soldered to a thermal pad on the board. For more information, see Texas Instruments literature number SLUA271 (www.ti.com/lit/slua271).
5. Vias are optional depending on application, refer to device data sheet. If any vias are implemented, refer to their locations shown on this view. It is recommended that vias under paste be filled, plugged or tented.

EXAMPLE STENCIL DESIGN

DSG0008A

WSON - 0.8 mm max height

PLASTIC SMALL OUTLINE - NO LEAD



SOLDER PASTE EXAMPLE
BASED ON 0.125 mm THICK STENCIL

EXPOSED PAD 9:
87% PRINTED SOLDER COVERAGE BY AREA UNDER PACKAGE
SCALE:25X

4218900/E 08/2022

NOTES: (continued)

6. Laser cutting apertures with trapezoidal walls and rounded corners may offer better paste release. IPC-7525 may have alternate design recommendations.

IMPORTANT NOTICE AND DISCLAIMER

TI PROVIDES TECHNICAL AND RELIABILITY DATA (INCLUDING DATA SHEETS), DESIGN RESOURCES (INCLUDING REFERENCE DESIGNS), APPLICATION OR OTHER DESIGN ADVICE, WEB TOOLS, SAFETY INFORMATION, AND OTHER RESOURCES "AS IS" AND WITH ALL FAULTS, AND DISCLAIMS ALL WARRANTIES, EXPRESS AND IMPLIED, INCLUDING WITHOUT LIMITATION ANY IMPLIED WARRANTIES OF MERCHANTABILITY, FITNESS FOR A PARTICULAR PURPOSE OR NON-INFRINGEMENT OF THIRD PARTY INTELLECTUAL PROPERTY RIGHTS.

These resources are intended for skilled developers designing with TI products. You are solely responsible for (1) selecting the appropriate TI products for your application, (2) designing, validating and testing your application, and (3) ensuring your application meets applicable standards, and any other safety, security, regulatory or other requirements.

These resources are subject to change without notice. TI grants you permission to use these resources only for development of an application that uses the TI products described in the resource. Other reproduction and display of these resources is prohibited. No license is granted to any other TI intellectual property right or to any third party intellectual property right. TI disclaims responsibility for, and you will fully indemnify TI and its representatives against, any claims, damages, costs, losses, and liabilities arising out of your use of these resources.

TI's products are provided subject to [TI's Terms of Sale](#) or other applicable terms available either on ti.com or provided in conjunction with such TI products. TI's provision of these resources does not expand or otherwise alter TI's applicable warranties or warranty disclaimers for TI products.

TI objects to and rejects any additional or different terms you may have proposed.

Mailing Address: Texas Instruments, Post Office Box 655303, Dallas, Texas 75265
Copyright © 2022, Texas Instruments Incorporated