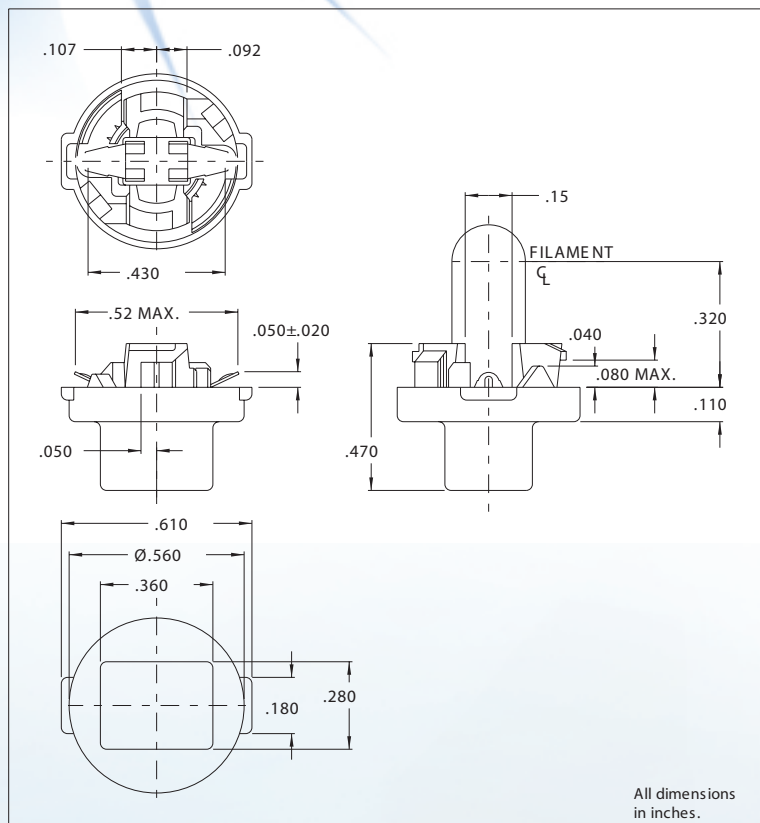


4138 Series Relampable Socket

DESCRIPTION AND FEATURES



Mounting: Printed circuit board, twist-in

Mounting pattern on page SP 1.

Contacts: CA-688 brass

Housing: Black nylon

Lamp: T-1 3/4 Wedge base

Panel: 1/16" thick

Note: Lamps must be ordered separately.

Mouser Electronics

Authorized Distributor

Click to View Pricing, Inventory, Delivery & Lifecycle Information:

VCC:

4138