



Serial No. : 2017-0838

DATE : 2017/10/03

HONHEVER(HK)LIMITED

ITEM :

CRYSTAL OSCILLATOR

TYPE :

DSB211SDN

NOMINAL FREQUENCY :

38.400MHz

SPEC No. :

1XXD38400MLC

If there is a change in this specifications, the specification number may be changed.

RECEIPT	
DATE	
RECEIVED	(signature)  (name)

General Manufacturer of Quartz Devices

**DAISHINKU CORP.**

1389 Shinzaike, Hiraoka-cho, Kakogawa, Hyogo 675-0194 Japan

Phone (81)79-425-3141 Fax (81)79-425-1134

[http://www.kds.info/index\\_en.htm](http://www.kds.info/index_en.htm)

C.ENG.

ENG.

E. Kameda

1. Device Name TCXO
2. Model Name DSB211SDN
3. Nominal Frequency 38.400 MHz
4. Mass 0.015g max.
5. Absolute Maximum Ratings

	Item	Symbol	Rating	unit
1	Supply Voltage	V <sub>CC</sub>	-0.3~+4.6	V
2	Storage Temperature Range	T <sub>STG</sub>	-55~+125	°C

## 6. Recommended Operating Conditions

	Item	Symbol	min.	typ.	max.	unit
1	Supply Voltage	V <sub>CC</sub>	+2.75	+2.8	+2.85	V
2	Load Impedance (resistance part) (parallel capacitance)	L <sub>LOAD_R</sub>	9	10	11	kΩ
		L <sub>LOAD_C</sub>	9	10	11	pF
3	Operating Temperature Range	T <sub>OPR</sub>	-40	-	+85	°C

## 7. Electrical Characteristics

(T<sub>A</sub>=-40~+85°C, L<sub>LOAD\_R</sub>/C=10kΩ//10pF, V<sub>CC</sub>=+2.8V, unless otherwise noted)

	Item	Conditions	Limits			unit	Notes
			min.	typ	max.		
1	Current Consumption		-	-	+2.0	mA	
2	Output Level		0.8	-	-	V <sub>P-P</sub>	1
3	Symmetry	GND level (DC cut)	40/60	50	60/40	%	
4	Harmonics		-	-	-10	dBc	
5	Frequency Stability						
	1.Tolerance	After 2 times reflow Ref. to nominal frequency	-	-	±2.0	ppm	2,3
	2.vs Temperature	T <sub>A</sub> =-40~+85°C Ref. to frequency (T <sub>A</sub> =+25°C)	-	-	±0.5	ppm	
	3.vs Slope	T <sub>A</sub> =-40~+85°C	-	-	±0.1	ppm/°C	
	4.vs Supply Voltage	V <sub>CC</sub> =+2.8V±0.05V	-	-	±0.2	ppm	
	5.vs Load Variation	L <sub>LOAD_R</sub> /C=(10kΩ//10pF)±10%	-	-	±0.2	ppm	
6	6.vs Aging	T <sub>A</sub> =Room ambient	-	-	±1.0	ppm/year	
		T <sub>A</sub> =Room ambient	-	-	±3.0	ppm/10years	
6	Frequency drift rate	From 0.1s to 0.5s	-	-	±0.10	ppm/s	
		From 0.5s to 1.5s	-	-	±0.015	ppm/s	
		From 1.5s onwards	-	-	±0.005	ppm/s	
7	Start Up Time	@90% of final V <sub>out</sub> level	-	-	2.0	ms	
8	SSB Phase Noise	Relative to f <sub>0</sub> level offset 1kHz	-	-	-135	dBc/Hz	
		Relative to f <sub>0</sub> level offset 10kHz	-	-	-149	dBc/Hz	
		Relative to f <sub>0</sub> level offset 100kHz	-	-	-156	dBc/Hz	
		Relative to f <sub>0</sub> level offset 1MHz	-	-	-156	dBc/Hz	

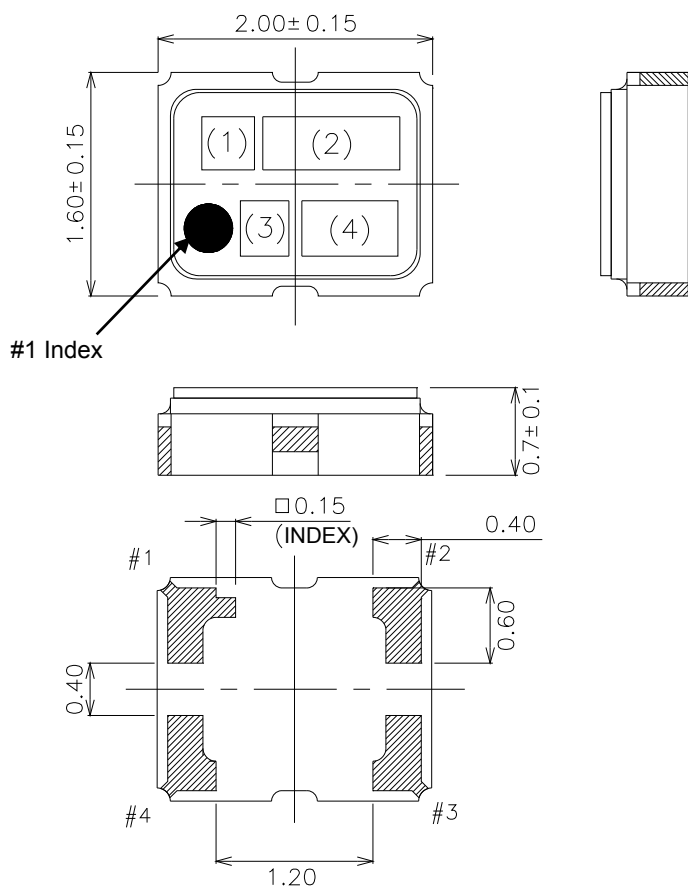
## Notes

1. Clipped sine wave (DC-coupled)
2. T<sub>A</sub>=+25°C
3. Please leave after reflow in 2h or more at room ambient.

TITLE DSB211SDN TYPE SPECIFICATION		Remark		
Date 2017/10/03	Spec. No. 1XXD38400MLC	Rev. -	Page 1/13	

### 8. Outline, Pin Connections

#### Outline



#### Pin Connections

Pin No.	Connection
#1	GND
#2	GND
#3	Output
#4	V <sub>cc</sub>

#### Marking

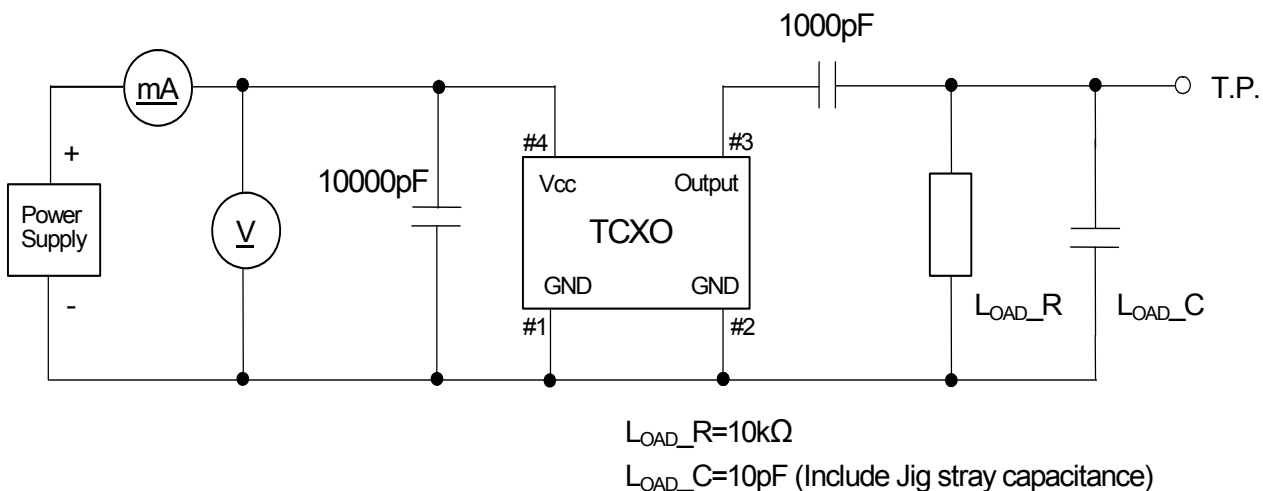
- (1) Model code      BN
- (2) Frequency      38.4 (MHz, 3digits)
- (3) Logo            D
- (4) Date code      Year (1digit) +Week (2digits)  
e.g.2017/1/1 → 701

unit: mm

Dimensional Tolerance: ±0.1

(Unless otherwise noted)

### 9. Measurement Circuit



TITLE DSB211SDN TYPE SPECIFICATION		Remark	
Date 2017/10/03	Spec. No. 1XXD38400MLC	Rev. -	Page 2/13

## 10. Mechanical Characteristics

All test is performed after 3times reflow (Clause.13) except 10.10 (Resistance to soldering heat)

Item	Description	Requirements
1	Drop Natural drop (On concrete) Mounting on the set or test fixture.(Total weight 100g) Height : 150cm Direction : X,Y,Z, 6directions Test cycle : 3cycles Reference specification : EIAJ-ED-4702A Method5	df/f=<±1.0ppm
2	Vibration Sweep range : 10~500Hz Sweep speed : 11min/cycle Amplitude : 1.5mm (10~55Hz) Acceleration : 200m/s <sup>2</sup> (55~500Hz) Direction : X,Y,Z, 3directions Test cycle : 10cycles Reference specification : IEC 60068-2-6	df/f=<±0.5ppm
3	Shock Acceleration : 1000m/s <sup>2</sup> Direction : X,Y,Z, 6directions Duration : 6ms Test cycle : 3cycles/each directions Reference specification : IEC 60068-2-27	df/f=<±0.5ppm
4	PCB bend strength PWB : t=1.6mm Pressure speed : 1.0mm/s Bend width : 1→2→3mm Duration : 10±1s Reference specification : IEC 60068-2-21 Ue1	df/f=<±0.5ppm No visible damage. No leak damage.
5	Adherence nature PWB : t=1.6mm Direction : X,Y, 2directions Pressure : 10N Duration : 10±1s Reference specification : IEC 60068-2-21 Ue3	df/f=<±0.5ppm No visible damage. No leak damage.
6	Package strength Pressure : 10N Duration : 10±1s Reference specification : IEC 60068-2-77	df/f=<±0.5ppm No mechanical damage. No leak damage.
7	Gross leak It is immersed for 3min into +125±5°C Chlorofluorocarbon (CFCs) liquid. Reference specification : IEC 60068-2-17	No continuous air bubbles.
8	Fine leak It shall be measured by the helium leak detector after pressurization for 60min by the pressure of (3.92±0.49) x10 <sup>5</sup> Pa in a helium gas atmosphere. Reference specification : IEC 60068-2-17	Less than 1.0x10 <sup>-9</sup> Pa m <sup>3</sup> /s.
9	Solderability Solder bath temperature : +245±5°C Duration : 3±0.3s Reference specification : IEC 60068-2-58	A new uniform coating of solder shall cover a minimum of 95% of the surface being immersed.
10	Resistance to soldering heat 1) Solder iron method Bit size : B(φ3) Bit temperature : +350±10°C Duration : 3+1/-0s /each terminal It shall be measured after 2h at room temperature, humidity. Reference specification : IEC 60068-2-20	df/f=<±0.5ppm dV <sub>OUT</sub> =<±0.2V <sub>P-P</sub> No visible damage.
	2) Reflow In refer to temperature profile shown in clause13. Test cycle : 3cycles It shall be measured after 2h at room temperature, humidity. Reference specification : IEC 60068-2-58	df/f=<±1.0ppm dV <sub>OUT</sub> =<±0.2V <sub>P-P</sub> No visible damage.

TITLE DSB211SDN TYPE SPECIFICATION	Remark		
Date 2017/10/03	Spec. No. 1XXD38400MLC	Rev. -	Page 3/13

## 11. Environmental Characteristics

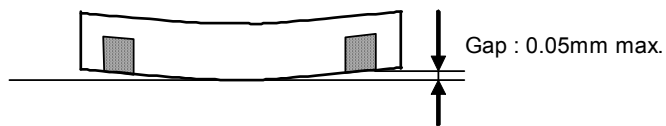
All test is performed after 3times reflow (Clause13)

	Item	Description	Requirements
1	Low temperature storage	Temperature : $-40\pm 3^{\circ}\text{C}$ Duration : 1000h It shall be measured after 2h at room temperature, humidity. Reference specification : IEC 60068-2-1 Ab	$df/f = < \pm 1.0\text{ppm}$ $dV_{\text{OUT}} = < \pm 0.2V_{\text{P-P}}$ The electrical characteristics are satisfied.
2	High temperature storage	Temperature : $+85\pm 2^{\circ}\text{C}$ Duration : 1000h It shall be measured after 2h at room temperature, humidity. Reference specification : IEC 60068-2-2 Bb	$df/f = < \pm 1.0\text{ppm}$ $dV_{\text{OUT}} = < \pm 0.2V_{\text{P-P}}$ The electrical characteristics are satisfied.
3	Humidity	Temperature : $+85\pm 2^{\circ}\text{C}$ R.H. $85\pm 5\%$ Duration : 1000h It shall be measured after 2h at room temperature, humidity. Reference specification : IEC 60068-2-78	$df/f = < \pm 1.0\text{ppm}$ $dV_{\text{OUT}} = < \pm 0.2V_{\text{P-P}}$ The electrical characteristics are satisfied.
4	HTB	Temperature : $+85\pm 2^{\circ}\text{C}$ Duration : 1000h BIAS : Max value of supply voltage It shall be measured after 2h at room temperature, humidity. Reference specification : IEC 60068-2-2 Bb	$df/f = < \pm 1.0\text{ppm}$ $dV_{\text{OUT}} = < \pm 0.2V_{\text{P-P}}$ The electrical characteristics are satisfied.
5	THB	Temperature : $+40\pm 2^{\circ}\text{C}$ R.H. 90~95% Duration : 1000h BIAS : Max value of supply voltage It shall be measured after 2h at room temperature, humidity. Reference specification : IEC 60068-2-78	$df/f = < \pm 1.0\text{ppm}$ $dV_{\text{OUT}} = < \pm 0.2V_{\text{P-P}}$ The electrical characteristics are satisfied.
6	Thermal shock	Thermal shock : $-40\pm 3^{\circ}\text{C} : 0.5\text{h} \Leftrightarrow +85\pm 2^{\circ}\text{C} : 0.5\text{h}$ Test cycle : 200cycles Shift time : 2~3min It shall be measured after 2h at room temperature, humidity. Reference specification : IEC 60068-2-14	$df/f = < \pm 1.0\text{ppm}$ $dV_{\text{OUT}} = < \pm 0.2V_{\text{P-P}}$ The electrical characteristics are satisfied.
7	ESD	Model : Machine Model (MM) $V = \pm 200\text{V}$ (C=200pF, R=0 $\Omega$ ) Number of times : 3times Each terminal except common terminal. (Connect to test terminal) Reference specification : EIA/JESD22-A115	$df/f = < \pm 1.0\text{ppm}$ $dV_{\text{OUT}} = < \pm 0.2V_{\text{P-P}}$ The electrical characteristics are satisfied.
		Model : Human Body Model (HBM) $V = \pm 1500\text{V}$ (C=100pF, R=1500 $\Omega$ ) Number of times : 3times Each terminal except common terminal. (Connect to test terminal) Reference specification : EIA/JESD22-A114	$df/f = < \pm 1.0\text{ppm}$ $dV_{\text{OUT}} = < \pm 0.2V_{\text{P-P}}$ The electrical characteristics are satisfied.

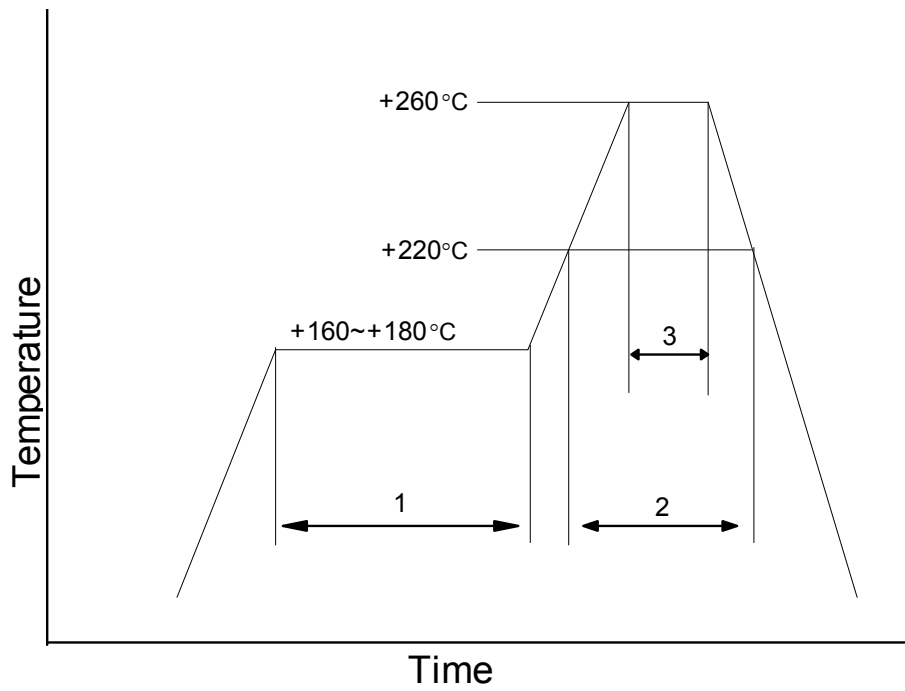
TITLE DSB211SDN TYPE SPECIFICATION		Remark		
Date 2017/10/03	Spec. No. 1XXD38400MLC	Rev. -	Page 4/13	

### 12. Flatness of Terminal

When the component is placed on the flat surface, the gap from the connecting terminal shall not exceed 0.05 mm.



### 13. Reflow Profile



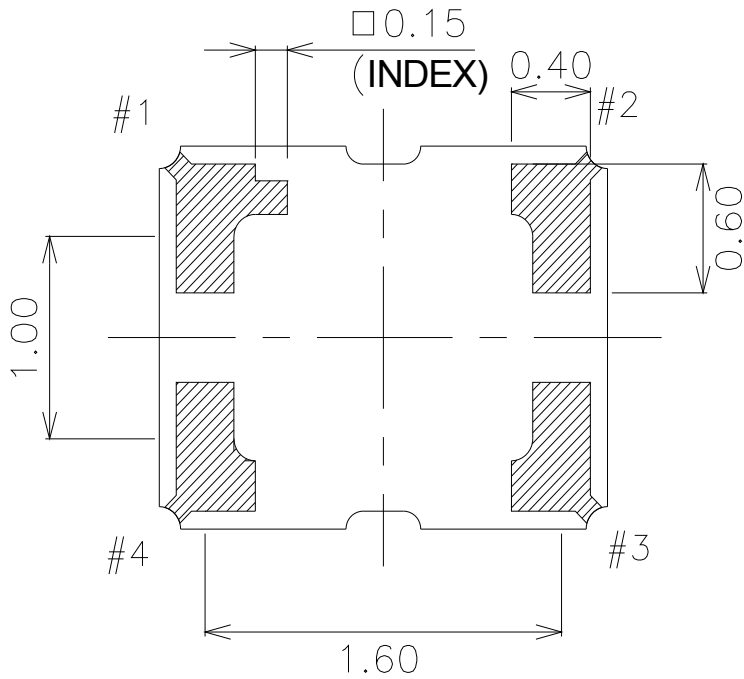
1	Preheat	+160~+180°C	120s
2	Primary Heat	+220°C	60s
3	Peak	+260°C	10s max.

TITLE DSB211SDN TYPE SPECIFICATION		Remark		
Date 2017/10/03	Spec. No. 1XXD38400MLC	Rev. -	Page 5/13	

### 14. Terminals / Land Pattern Layout / Metal Mask Hole

#### 14.1 Terminals

A through hole is not located on the bottom (mounting side).



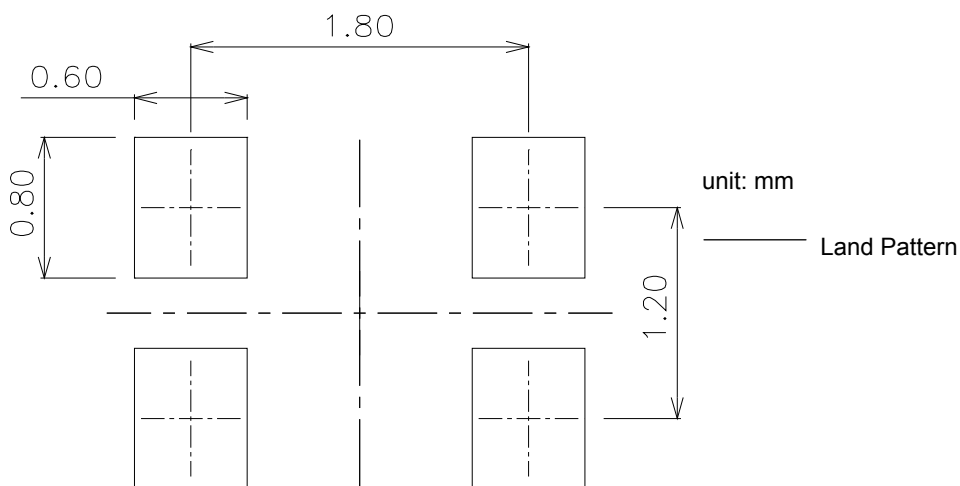
unit: mm

Dimensional Tolerance:  $\pm 0.15\text{mm}$

 Mounting Terminal

#### 14.2 Land Pattern Layout / Metal Mask Hole

The following land pattern is reference design. The electrical characteristic shall be satisfied with mounting to this land. The land pattern can be changed in the limits to which a test land and a mounting land are not connected. And it does not any effect to the electrical characteristics. Mask thickness recommends 0.12mm.



unit: mm

 Land Pattern

TITLE DSB211SDN TYPE SPECIFICATION		Remark	
Date 2017/10/03	Spec. No. 1XXD38400MLC	Rev. -	Page 6/13

15. Packing Condition

15.1 Taping package

- (1) Emboss tape format and dimensions  
See Fig.1
- (2) Quantity on reel  
3000pcs. max. / reel
- (3) Taping specification  
See Fig.2  
No lack of a product.
- (4) Reel specification  
See Fig.3
- (5) Taping material list  
See right table.

<p><u>Taping material List</u>                  Cover Tape : PET + Olefin Resin (Conductivity)                  Emboss : PS (Conductivity)                  Reel : PS (Conductivity)</p>
--

15.2 Packing

The products packed in the antistatic bag.  
 \*Moisture sensitivity level : IPC/JEDEC Standard J-STD-033 / Level 1  
 No dry pack required and baking after re-storage is unnecessary.

15.3 Packing box

Max 10 reels/packing box. However, in the case of less than 10 reels, It is contained by any boxes.  
 The space in a box is fill up with a cushion.

15.4 Label detail

A Lot label is put on a reel and a shipping label and Pb-free label is put on a packing box.

Lot label

TYPE	(Model Name)
SPEC NO.	(Spec. Number)
PARTS NO.	(User's Parts Number)
LOT NO.	(Lot Number)
FREQ.	(Nominal Frequency)
Q'TY	(Quantity)
KDS	DAISHINKU CORP.

Shipping label

ITEM	(Model Name)
SPEC	(Spec. Number)
DELIVERY DATE	(Delivery Date)
Q'TY	(Quantity)
NOTES	(User's Parts Number)
DAISHINKU CORP.	

Pb-free Label



Lot label (Example)

TYPE	XXXXXXXX
SPEC NO.	XXXXXXXXXXXX
PARTS NO.	XXXXXXXXXXXX
LOT NO.	XXXXXXXX
FREQ	XX.XXX MHz
Q'TY	XXXXpcs.
<span style="float: right;">Made in Japan</span>	

Formation of a lot number

e.g. AH7101001  
A                      H                      7101                      001  
 Manufacturing site code    Product code            year/ month/ day            Serial No.

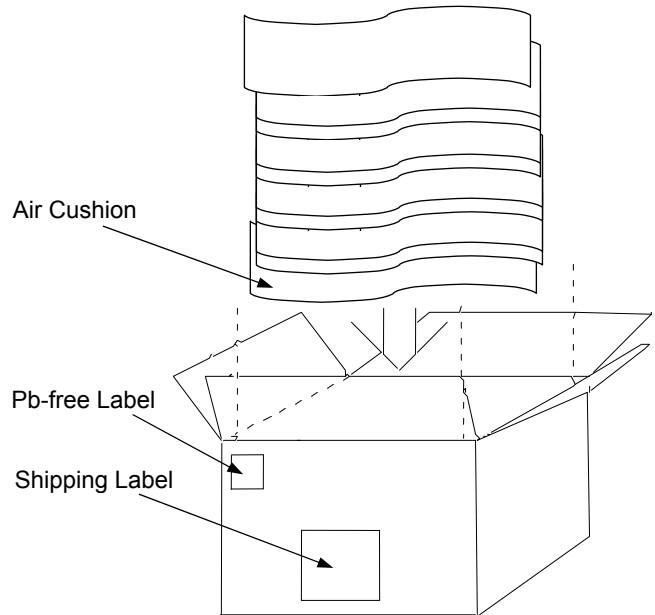
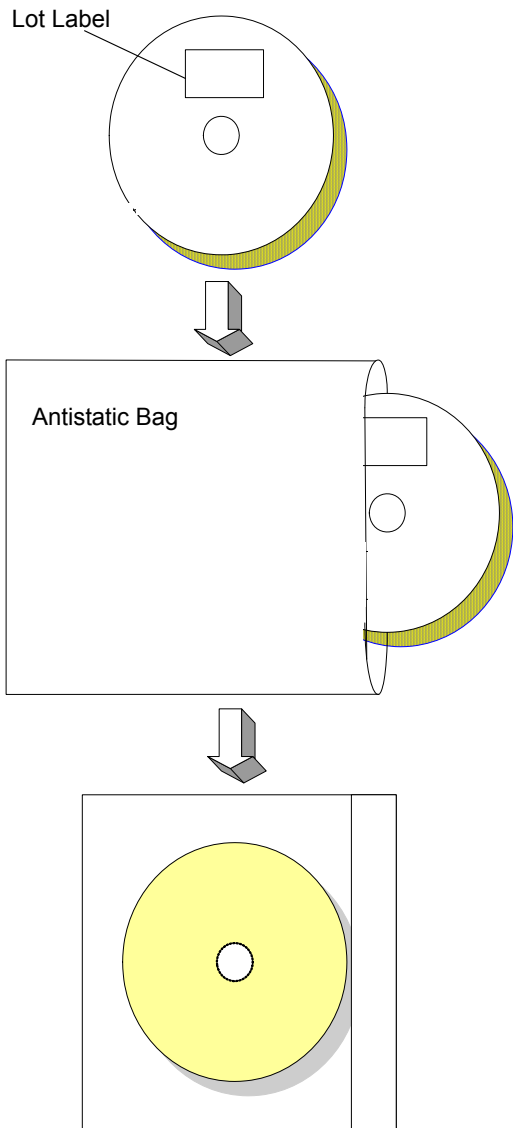
The notation method of a manufacture year, month, and day. (4digits alphanumeric character)

YMDD            (4digits)    e.g.) 2017 /01 /01 → 7101  
Y            Year            1digit (Last digit of Year)  
M            Month          1digit alphanumeric symbol  
DD            Day            2digits numerical characters of day

Month	Jan.	Feb.	Mar.	Apr.	May.	Jun.	Jul.	Aug.	Sep.	Oct.	Nov.	Dec.
Symbol	1	2	3	4	5	6	7	8	9	O	N	D

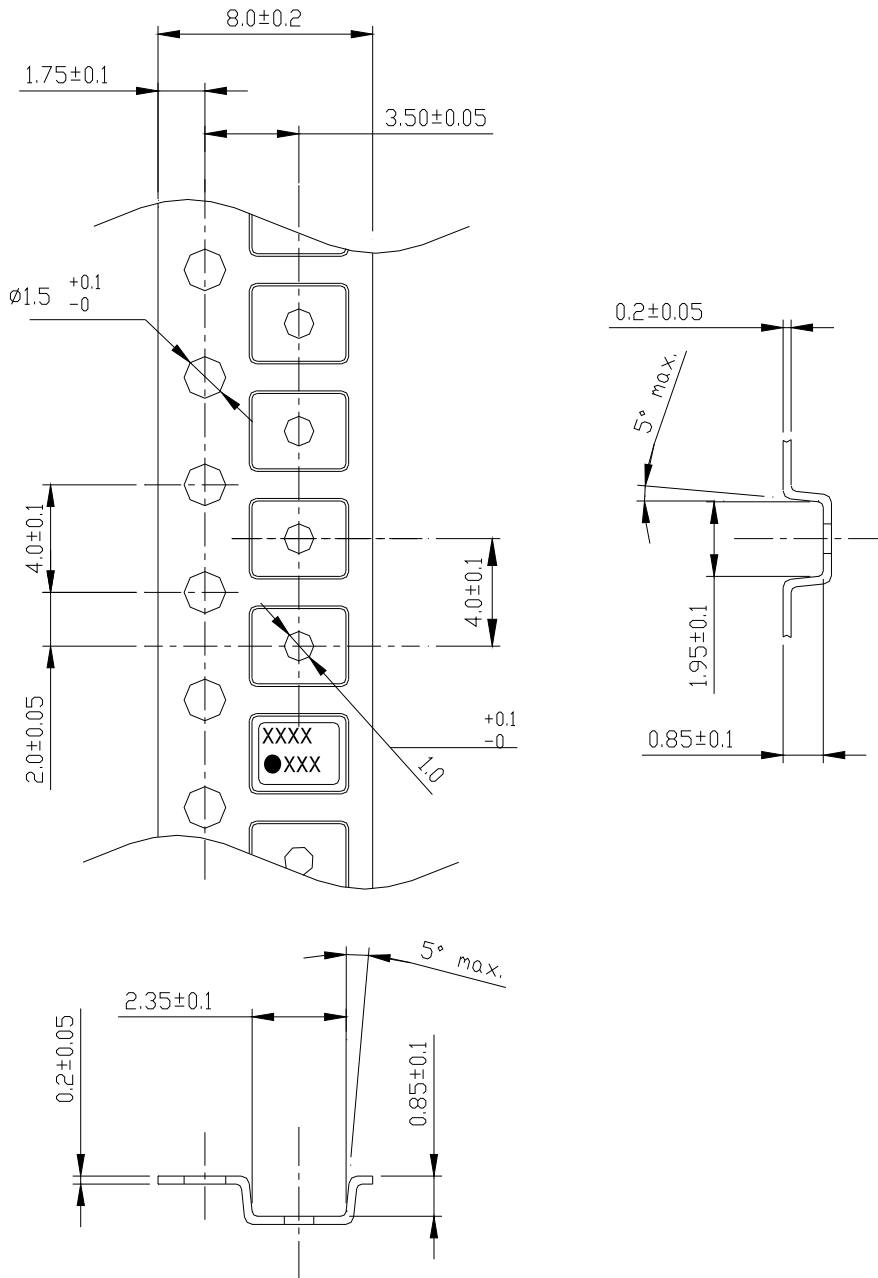
TITLE DSB211SDN TYPE SPECIFICATION		Remark	
Date 2017/10/03	Spec. No. 1XXD38400MLC	Rev. -	Page 7/13





The product is packed up with the method which does not break in the handling by a shipping agent.

TITLE DSB211SDN TYPE SPECIFICATION		Remark		
Date 2017/10/03		Spec. No. 1XXD38400MLC	Rev. -	Page 8/13



1. Clearance of an embossing tape, and a product unit: mm

Direction	Pocket size	TCXO size	Clearance
L	2.35±0.10	2.00±0.15	0.35±0.25
W	1.95±0.10	1.60±0.15	0.35±0.25
H	0.85±0.05	0.70±0.10	0.15±0.15

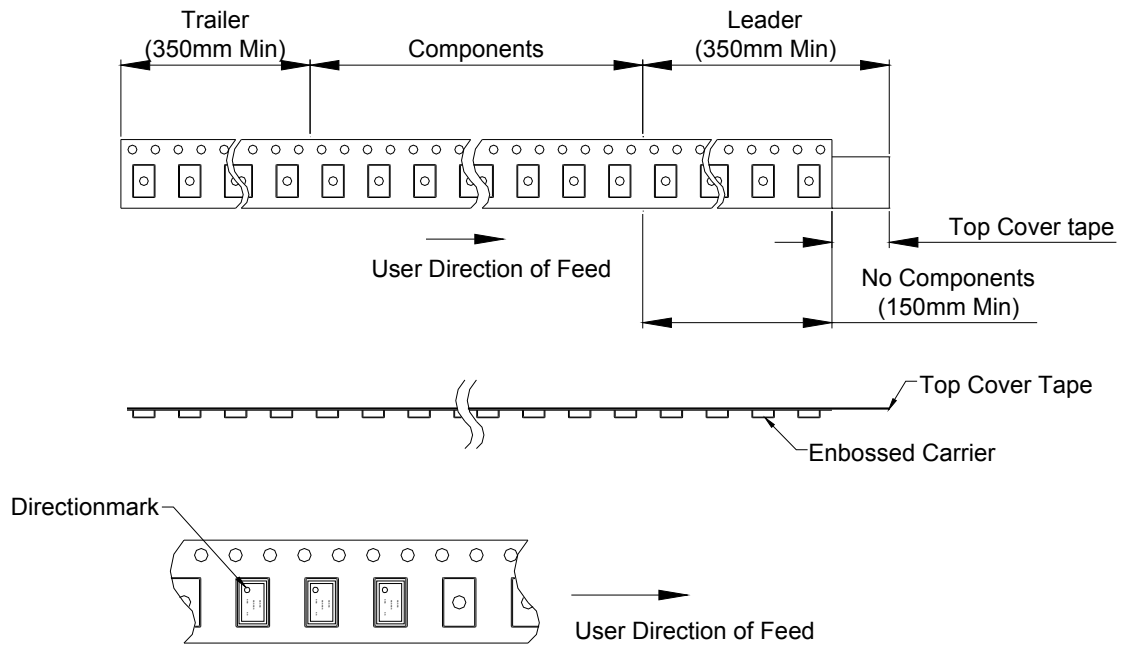
2. Quality : Polystyrene (Conductivity)

3. Tensile strength of an embossing tape : more than 14N

unit: mm

Fig.1. Emboss tape format and dimensions

TITLE DSB211SDN TYPE SPECIFICATION		Remark	
Date 2017/10/03	Spec. No. 1XXD38400MLC	Rev. -	Page 9/13



When a tape end is taken out to the front, sprocket holes becomes right hand side.

Peel strength

Pulling angle 165~180°, pulling speed at 300mm/min, strength should be 0.2~0.7N.

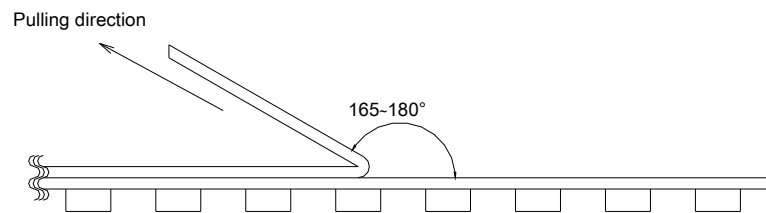
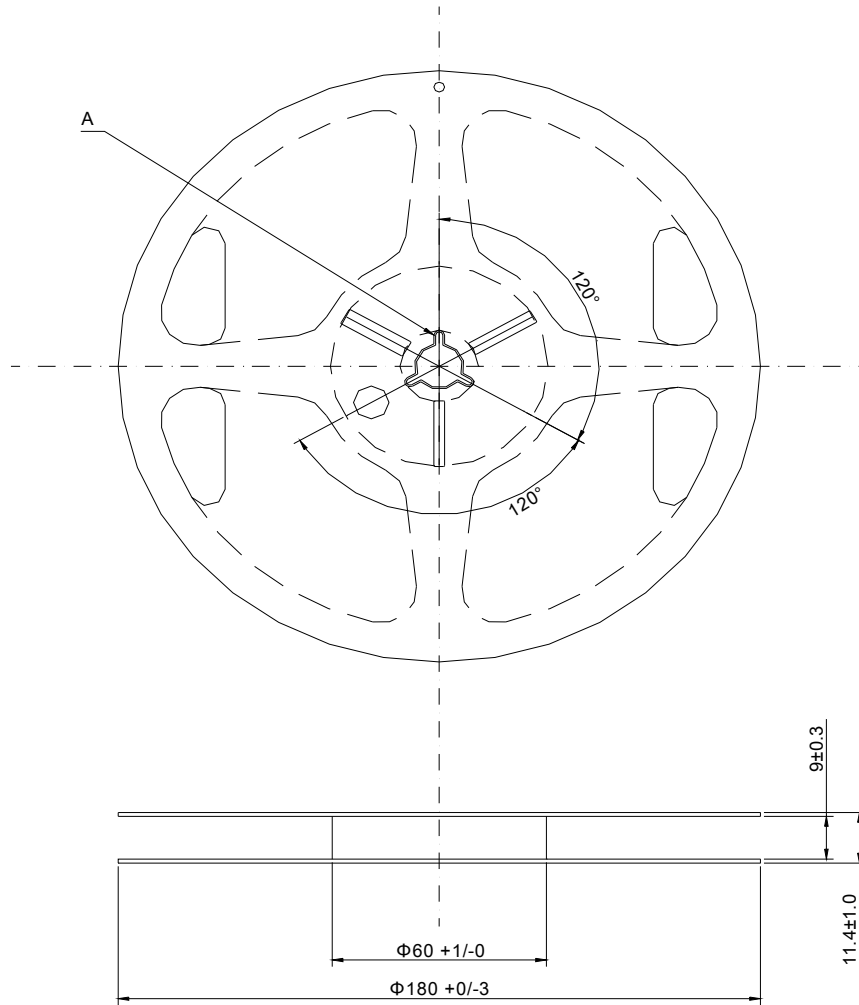


Fig.2. Taping specification

TITLE DSB211SDN TYPE SPECIFICATION		Remark		
Date 2017/10/03	Spec. No. 1XXD38400MLC	Rev. -	Page 10/13	



Material:Polystyrene (Conductivity)  
unit:mm

Section A

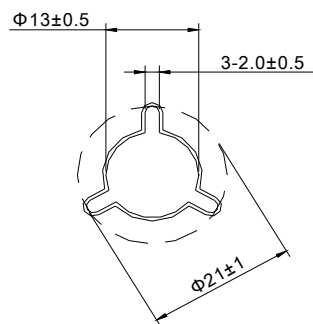


Fig.3. Reel specification

TITLE DSB211SDN TYPE SPECIFICATION		Remark		
Date 2017/10/03	Spec. No. 1XXD38400MLC	Rev. -	Page 11/13	

**16. Notes on mounting and handling****16.1 Storage environment**

- (1) The temperature and humidity of a storage place, Please give +5~+40°C and 40~85% as a standard.
- (2) Please use this product within one year from the packing label date of issue.
- (3) Please avoid the place which generates corrosive gas, and the place with much dirt.
- (4) Please keep it in a place with little temperature change.

Dew condensation arises owing to a rapid temperature change and solderability becomes bad.

**16.2 Be cautions to static electricity and high voltage.**

**16.3** This product has sufficient durability to fall and vibration. However, conditions may change to the fall after mounting to a PWB, and vibration. When you should drop on a floor the PWB which mounted the product or too much shock is added. Please use after a performance check.

**16.4** Please check that the curvature of the substrate at the time of substrate cutting does not affect product. Moreover, especially when a product is near the position of a PWB guide pin, and the position of PWB break, be careful.

**16.5** The part concerned does not correspond to washing.

**16.6** Please repair at +260°C in 10s with hot air or +350°C in 5s with solder Iron.

**17. Mandatory control****17.1 Ozone-depleting substance**

It regulates by the U.S. air purifying method (November, 1990 establishment). ODS of CLASS1 and CLASS2 is not contained or used.

**17.2 PBDE, PBBs**

PBDE, PBBs are not contained into all the material currently used for this product.

**17.3 RoHS**

Following material restricted by RoHS (2011/65/EU) is not included or used. Lead, mercury, cadmium, hexavalent , chromium ,PBB and PBDE.

**17.4 Law Concerning Examination and Regulation of Manufacture, etc. of Chemical Substances**

All the material currently used for this product is based on "Law Concerning Examination and Regulation of Manufacture, etc. of Chemical Substances". It is a registered material.

**17.5 Lead**

Leads, such as solder, are not used for this product. (Lead Free)

**17.6 About the existence of silver and mercury use**

The silver of very small quantity is contained in the conductive adhesives used for adhesion of Blank. Moreover, mercury is used. It does not get down.

**18. The country of origin / factory name / address**

Country of origin: Japan  
 Factory name: DAISHINKU Corp. Tottori Production Div.  
 Address: 7-3-21 Wakabadai minami, Tottori 689-1112

TITLE DSB211SDN TYPE SPECIFICATION		Remark		
Date 2017/10/03	Spec. No. 1XXD38400MLC	Rev. -	Page 12/13	

