

D

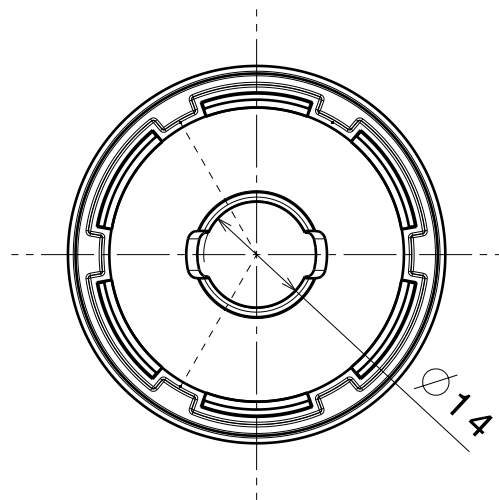
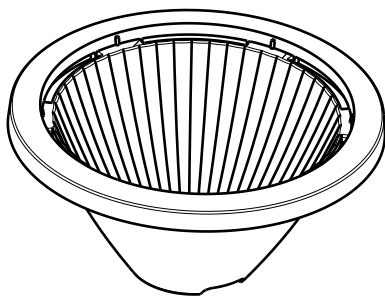
C

B

A

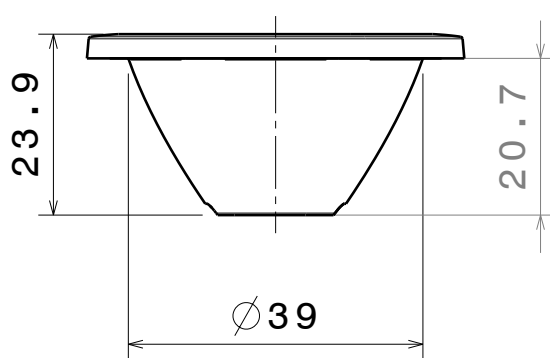
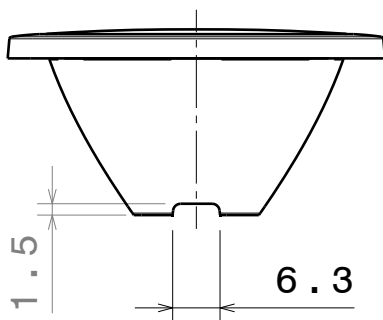
4

4



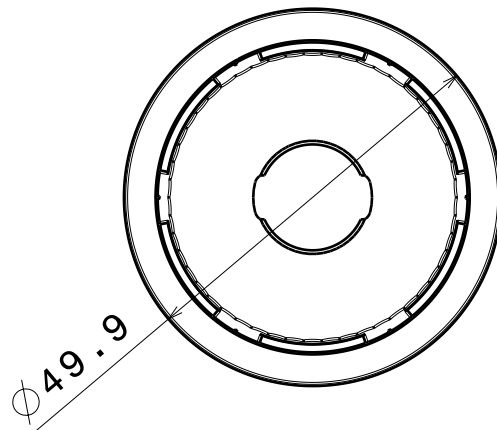
3

3



2

2



Material: PC, metal plated

This drawing is our property.
It can't be reproduced
or communicated without
our written agreement.



Ledil Oy
Salorankatu 10
FIN-24240 SALO
Finland

DRAWING TITLE

Datasheet Mirella reflector

DRAWN BY
pl

DATE
25.11.2011

CHECKED BY

DATE

SIZE
A4

DRAWING NUMBER

REV
1

DESIGNED BY
pl

DATE
25.11.2011

SCALE 1:1 WEIGHT (g)

SHEET 1/1

D

A

1

1

Mouser Electronics

Authorized Distributor

Click to View Pricing, Inventory, Delivery & Lifecycle Information:

Ledil:

[C12477_MIRELLA-50-M](#)