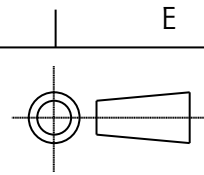


ISS.	DATE	E.C.N.	DESCRIPTION
1	25-Feb-09		FIRST ISSUE

© 2006 CARCLO  
ALL DIMENSIONS IN mm



CARCLO TECHNICAL PLASTICS (SLOUGH)  
111 BUCKINGHAM AVE, SLOUGH  
SL1 4PF, ENGLAND  
TEL: +44 1753 575011 FAX: +44 1753 811359  
e-mail: design@carclo-optics.com}

CUSTOMER DRAWING

GENERAL TOLERANCES (UNLESS STATED)

LINEAR	ANGULAR
X +/- 0.25	X +/- 1°
X.X +/- 0.1	X.X +/- 0.5°
X.XX +/- 0.05	X.XX +/- 0.1°

CUSTOMER

CARCLO

TITLE

UNIFORM HEMI-SPHERICAL  
EMITTER BUBBLE OPTIC

DRAWN

AJD

DATE

25-Feb-09

CHK'D

DATE

APP'D

DATE

SCALE

2:1

CARCLO PART No.

10620

SIZE

A4

CARCLO DRG. No.

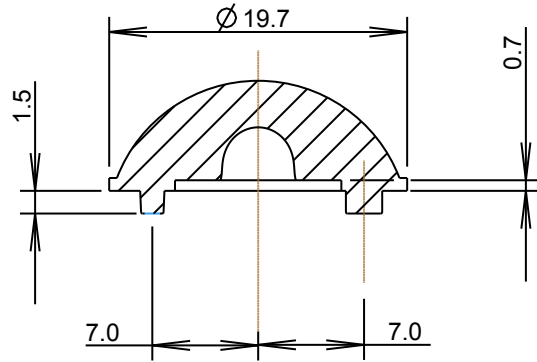
60570

SHEET

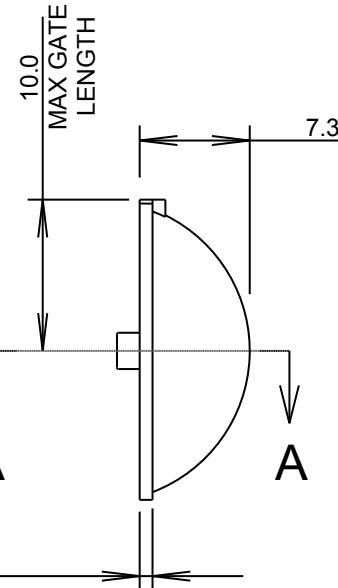
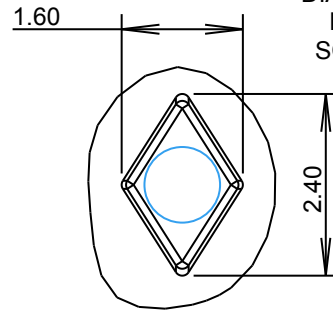
1 OF 2

MATERIAL: POLYCARBONATE

SECTION A-A  
SCALE 2:1



DIAMOND DOWEL  
DETAIL C  
SCALE 10:1



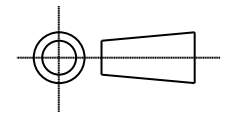
3D GENERAL VIEW  
SCALE 1:1



DIAMOND DOWEL  
SEE DETAIL C

ISS.	DATE	E.C.N.	DESCRIPTION
1	25-Feb-09		FIRST ISSUE

© 2006 CARCLO  
ALL DIMENSIONS IN mm



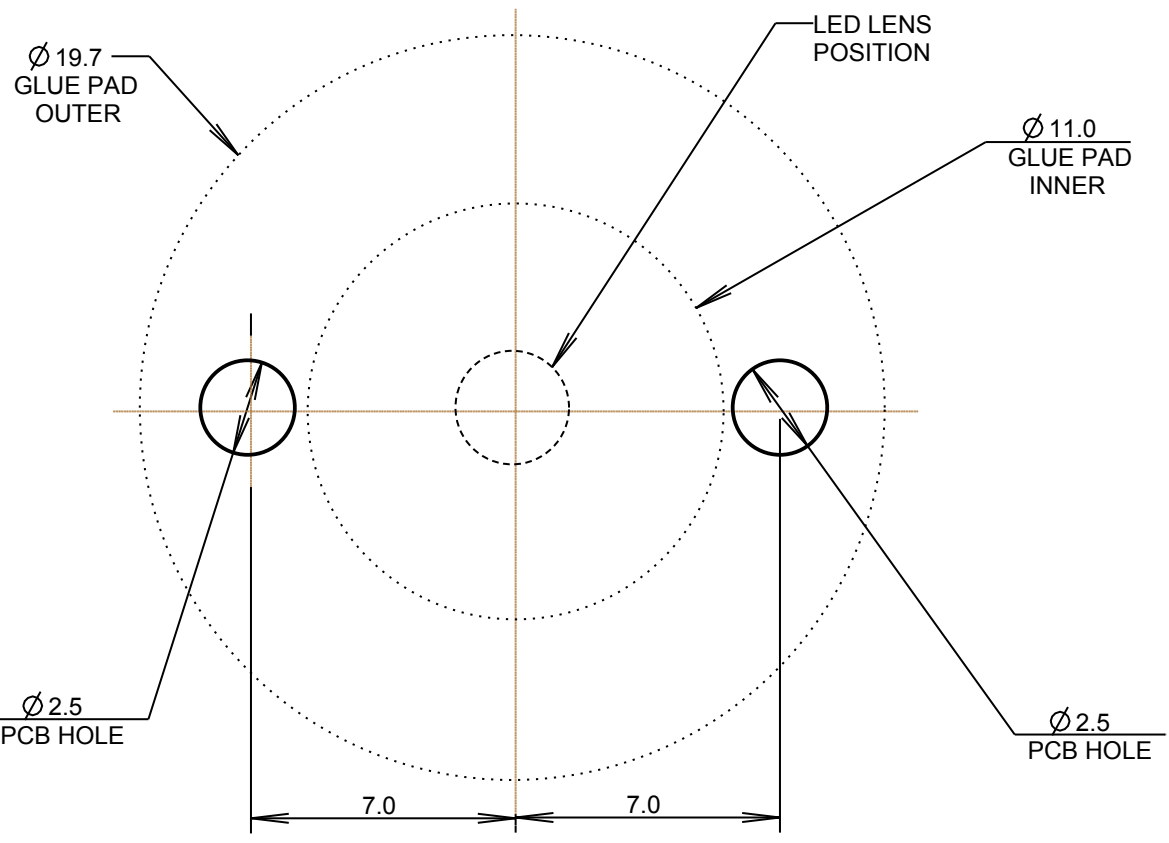
CARCLO TECHNICAL PLASTICS (SLOUGH)  
111 BUCKINGHAM AVE, SLOUGH  
SL1 4PF, ENGLAND  
TEL: +44 1753 575011 FAX: +44 1753 811359  
e-mail: design@carclo-optics.com}

## PCB GLUE PAD AND ALIGNMENT HOLE LAYOUT DIMENSIONS

### GENERAL TOLERANCES (UNLESS STATED)

LINEAR	ANGULAR
X +/- 0.25	X +/- 1°
X.X +/- 0.1	X.X +/- 0.5°
X.XX +/- 0.05	X.XX +/- 0.1°

CUSTOMER		CARCLO	
TITLE			
UNIFORM HEMI-SPHERICAL EMITTER BUBBLE OPTIC			
DRAWN	DATE	25-Feb-09	
CHK'D	DATE		
APP'D	DATE		
SCALE	CARCLO PART No.		
5:1	10620		
SIZE	CARCLO DRG. No.	SHEET	
A4	60570	2 OF 2	



NOTE: THE CLOSEST THAT TWO OR MORE LENSES CAN BE PLACED TOGETHER WITHOUT OBSCURATION IS 27MM BETWEEN CENTRES.