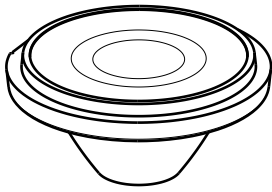


D

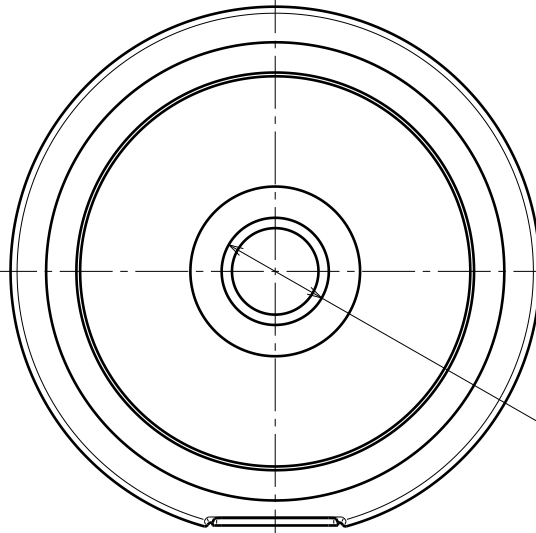
C

B

A



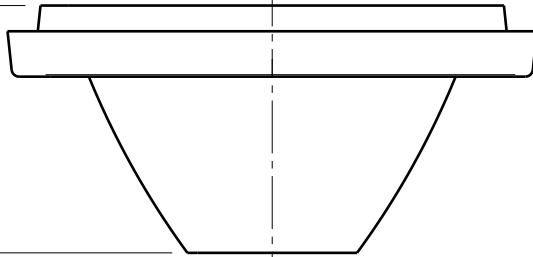
Isometric view



Bottom view

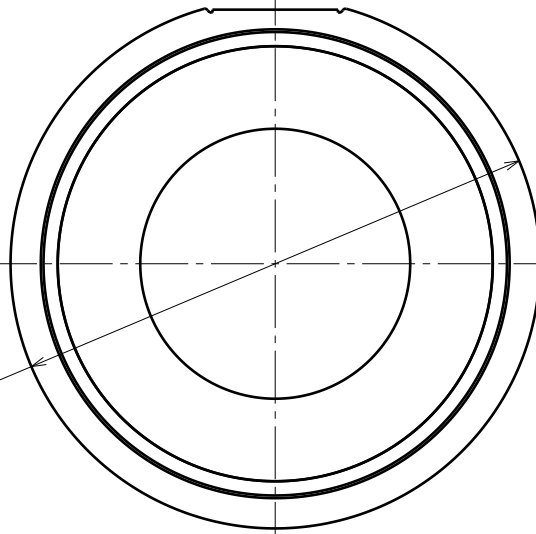
Ø 6.8

Ø 30.5



Side view

16.4



Top view

Ø 35

Tolerances if not otherwise shown:  
 According to DIN ISO 2768-1  
 Linear measures:  
 Up to 30mm class M, otherwise class C.

According to DIN ISO 2768-2  
 Form and position:  
 class L

Raw material(s):  
 PMMA 8N

This drawing is our property.  
 It can't be reproduced  
 or communicated without  
 our written agreement.



Ledil Oy  
 Salorankatu 10  
 24100 SALO  
 Finland

DRAWING TITLE

Datasheet Eva Spot Lens

DRAWN BY  
ah

DATE  
1.3.2013

CHECKED BY

DATE

SIZE  
A4

DRAWING NUMBER

C12041

REV  
1

DESIGNED BY  
HH

DATE  
26.08.2008

SCALE

2:1

WEIGHT (g)

SHEET

1/1

D

A

4

3

2

1

1

# Mouser Electronics

Authorized Distributor

Click to View Pricing, Inventory, Delivery & Lifecycle Information:

Ledil:

[C12085\\_HEIDI-W2](#)