

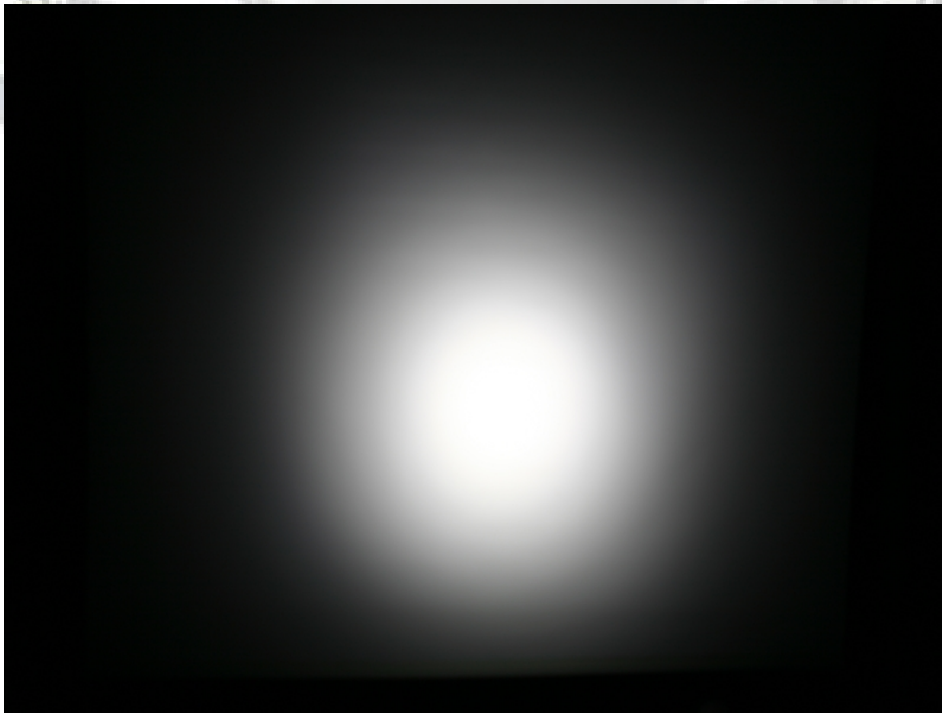
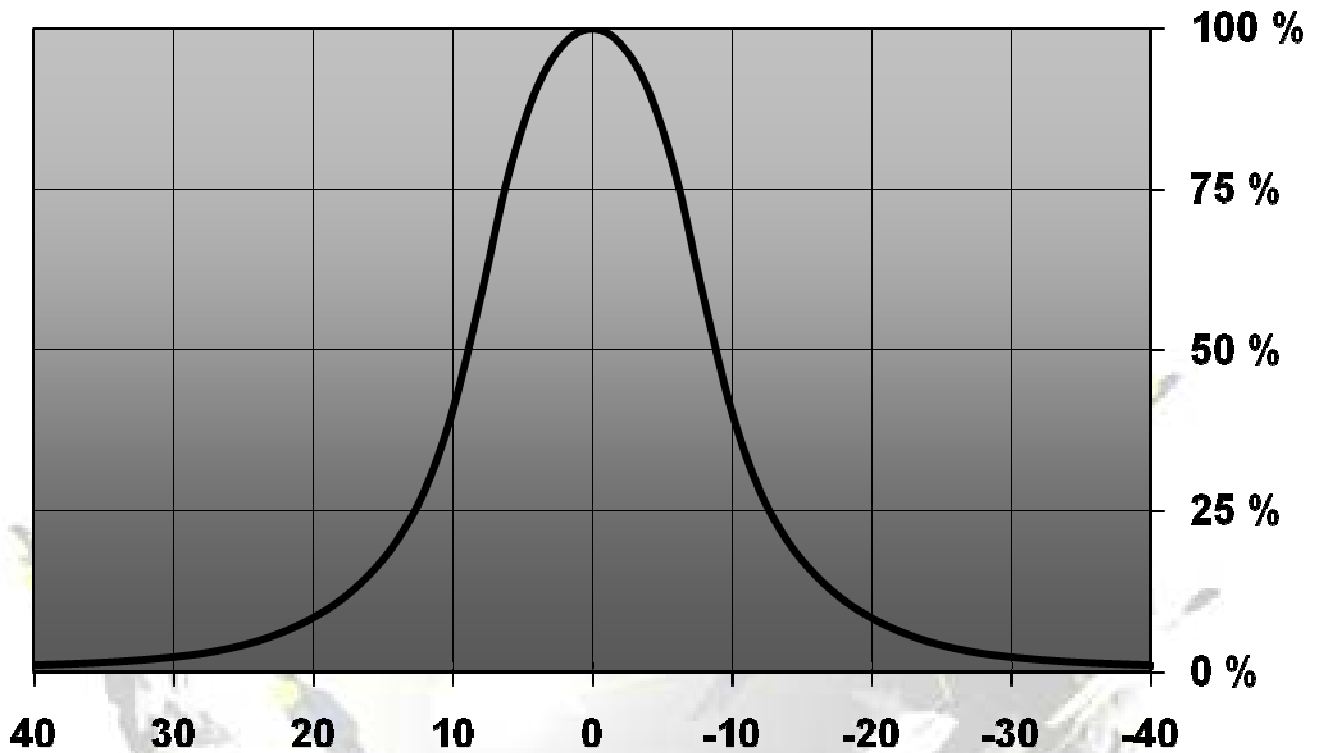
## SATU-RE LENS FOR LUXEON REBEL LEDs



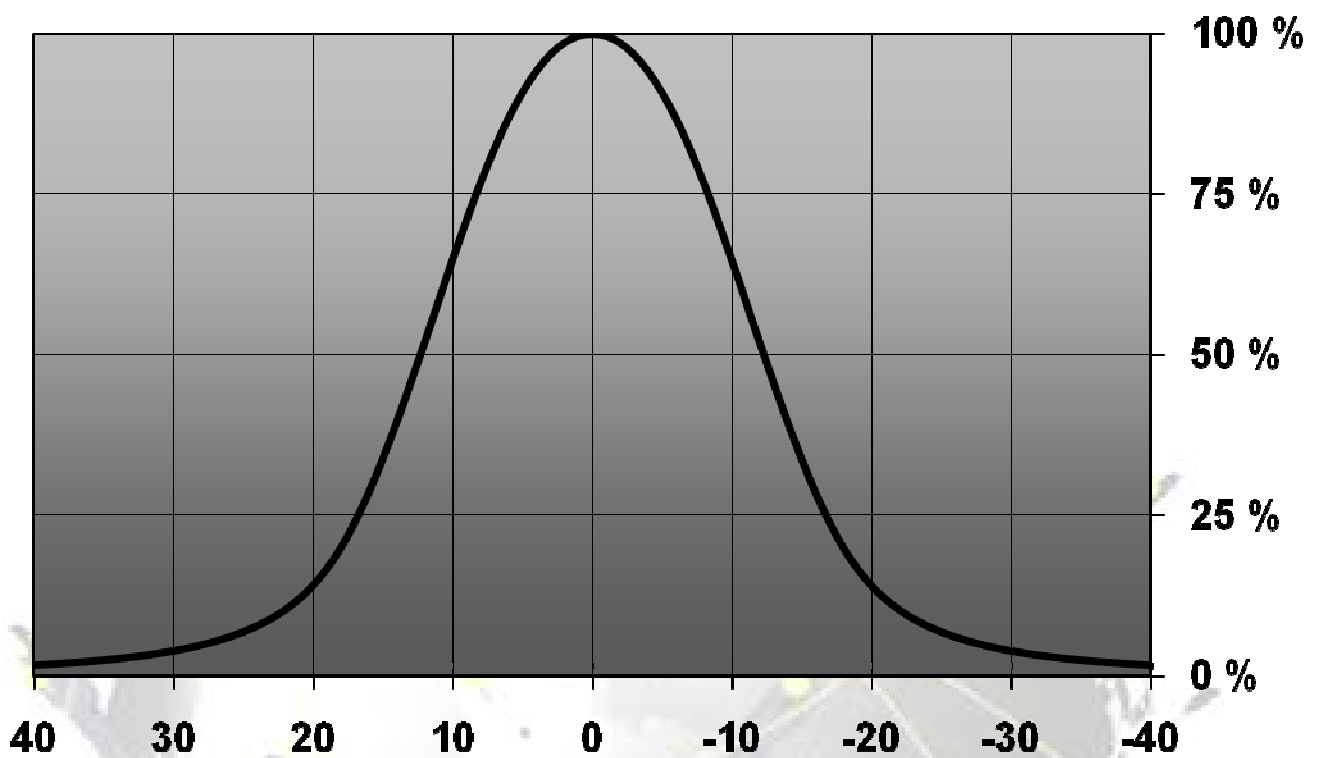
- Specially designed for Luxeon Rebel series of LEDs.
- Lens material optical grade PMMA with high UV and temperature resistance (105°C/220°F)
- High optical efficiency, >90%
- No lens holder. Fastening to heat sink with droplets of glue.
- Please check fastening details from this link:  
([http://www.ledil.com/datasheets/DataSheet\\_GLUES.pdf](http://www.ledil.com/datasheets/DataSheet_GLUES.pdf))
- Very compact dimensions
- Diameter 21.8 mm

## LENS TYPES

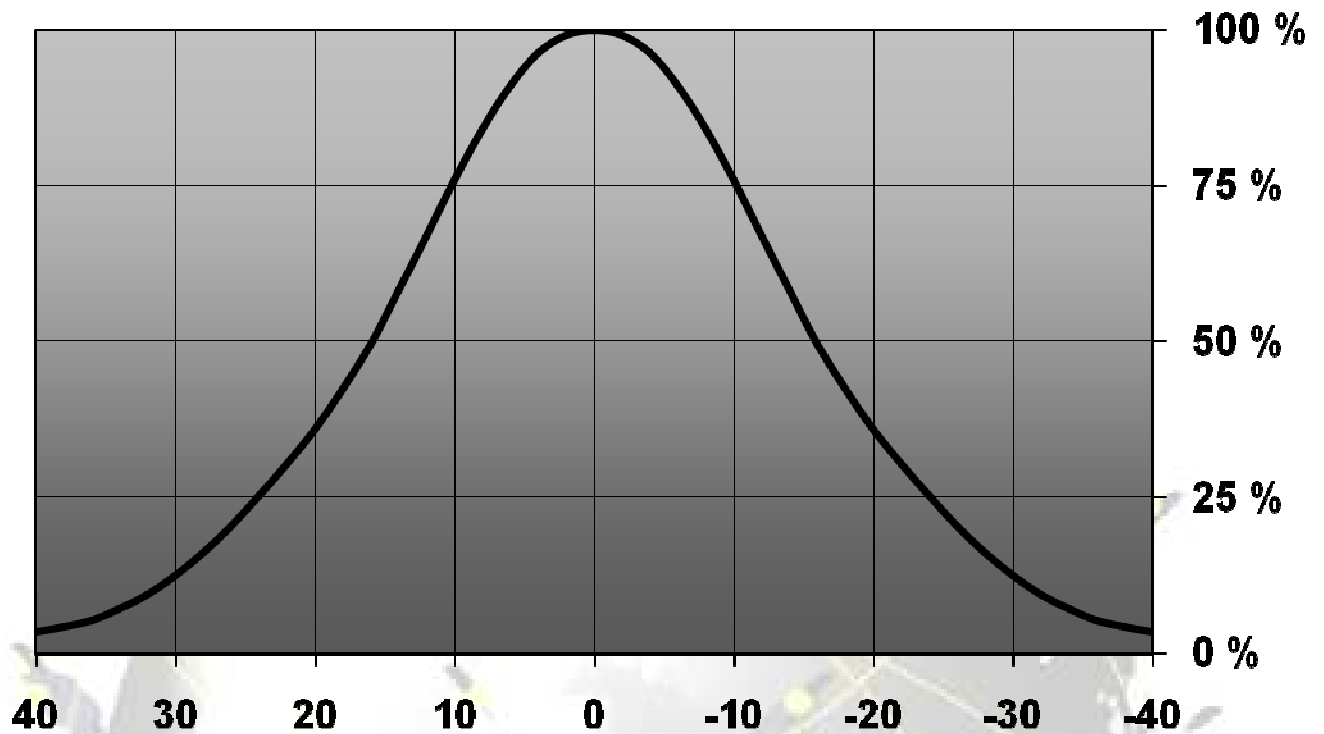
| NAME        | ORDERING CODE    | FWHM Angle |
|-------------|------------------|------------|
| SATU spot   | C11601_Satu-S-RE | ±9°        |
| SATU medium | C11602_Satu-M-RE | ±12°       |
| SATU wide   | C11544_Satu-W-RE | ±16°       |

**MEASUREMENT DATA & PHOTOGRAPHS****Relative intensity of C11601\_Satu-S-RE**

© Ledil Oy – PRELIMINARY - Subject to change without prior notice

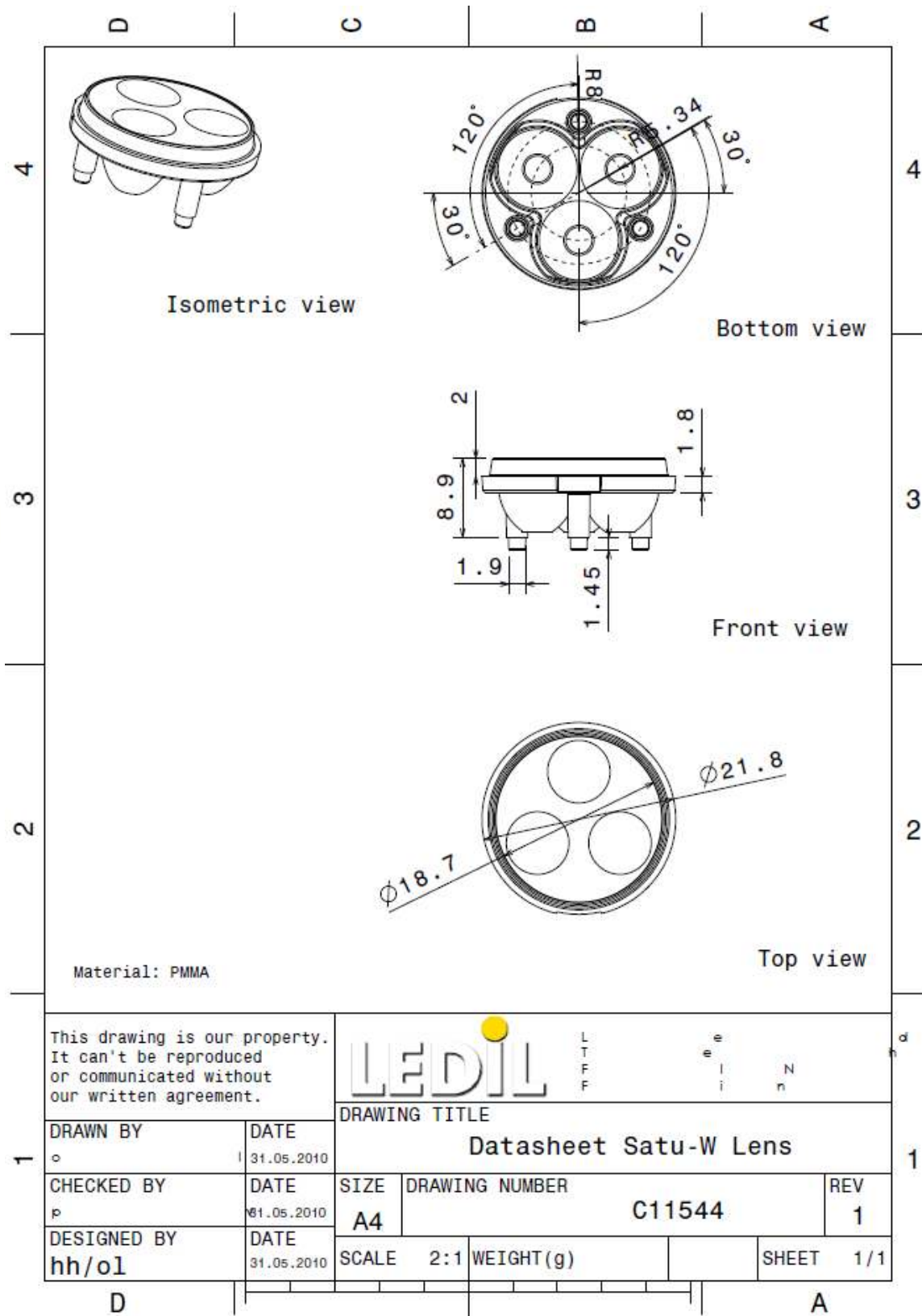
**Relative intensity of C11602\_Satu-M-RE**

© Ledil Oy – PRELIMINARY - Subject to change without prior notice

**Relative intensity of C11544\_Satu-W-RE**

© Ledil Oy – PRELIMINARY - Subject to change without prior notice

## DRAWINGS



© Ledil Oy - PRELIMINARY - Subject to change without prior notice

# Mouser Electronics

Authorized Distributor

Click to View Pricing, Inventory, Delivery & Lifecycle Information:

[Ledi:](#)

[C11601\\_SATU-S](#) [C11601\\_Satu-S-RE](#)