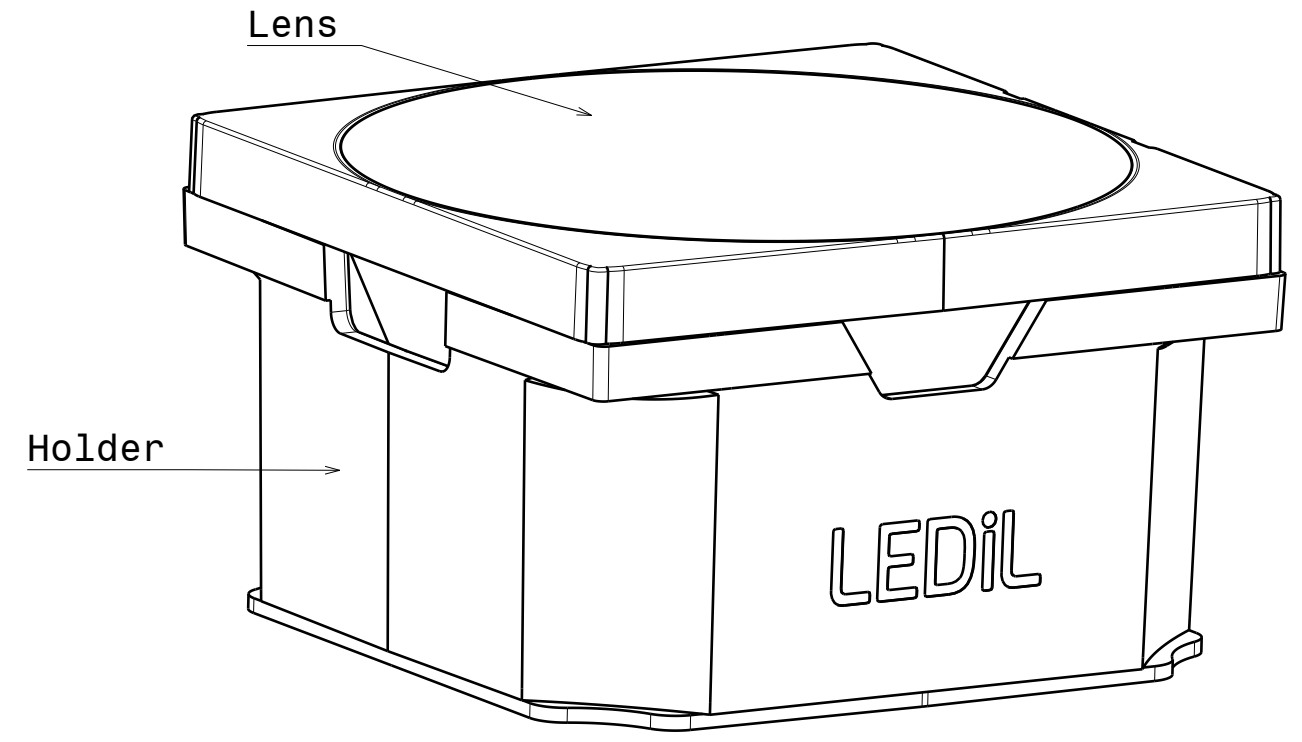
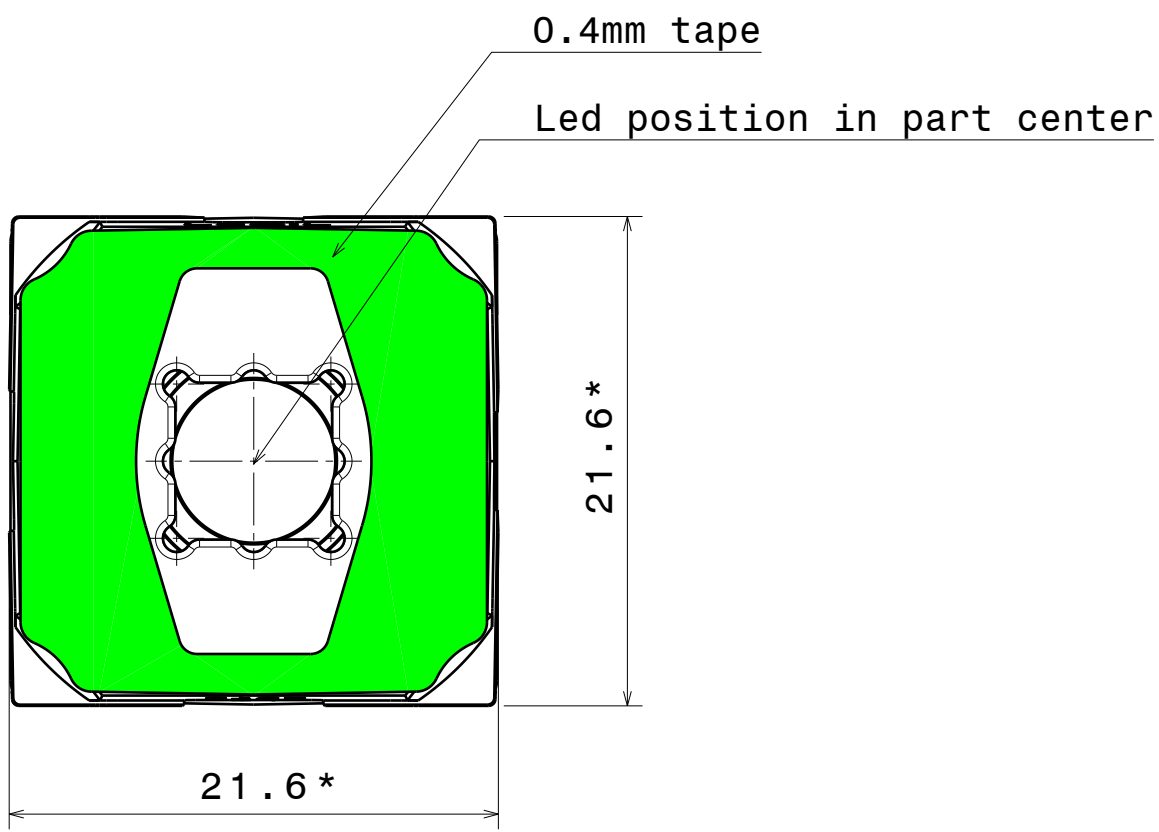


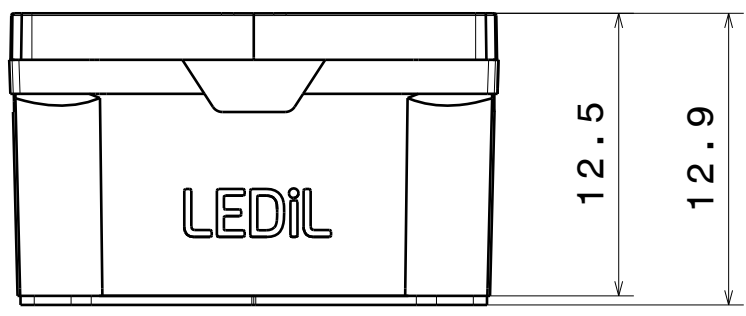
H G F E D C B A

Bottom view




Isometric view

Front view



*Local adhesive layer between lens and holder part ->
21.6mm tolerance according DIN ISO 2768-1 class C

INDEX	PART NO	DESCRIPTION	MATERIAL	COLOUR
1	FCA14464	G2-NIS033U-W	Lens optical grade silicon / Holder PC black / Tape PU 2-sided adhesive foam tape	Black

Tolerances if not otherwise shown According to DIN ISO 2768-1 Linear measures: class C. According to DIN ISO 2768-2 Form and position: class L		 Ledil Oy Salorankatu 10 FIN 24240 SALO Finland	
THIRD ANGLE PROJECTION: 		DRAWING TITLE FCA14464_G2-NIS033U-W	
This drawing is the property of LEDiL Oy. It may not be reproduced, copied or communicated without a written agreement with LEDiL Oy.		SIZE A3	PART NUMBER FCA14464
		SCALE 1:1	WEIGHT SHEET 1/1

H G B A

Mouser Electronics

Authorized Distributor

Click to View Pricing, Inventory, Delivery & Lifecycle Information:

Ledil:

[CA13616_G2-OSS-2-REC](#)