

Cindy-L251 reflector for Citizen CL-L251 LEDs



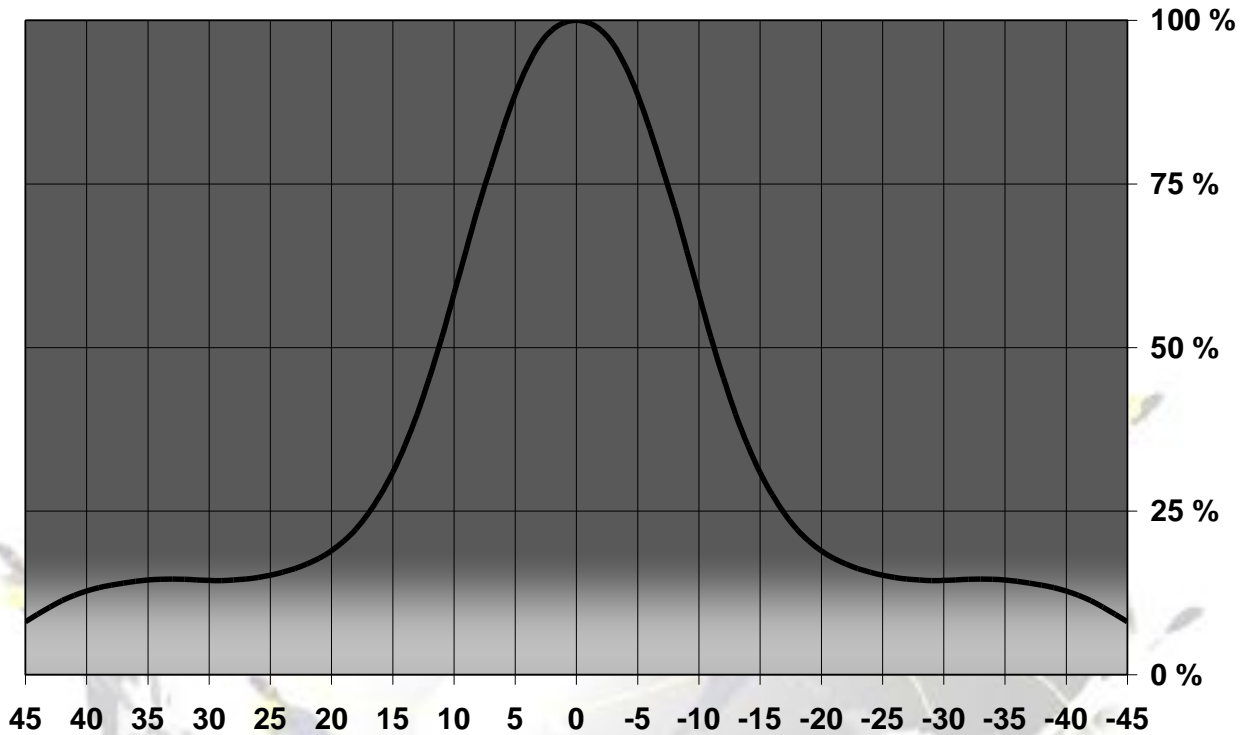
- Specially designed for Citizen CL-L251 series of LEDs.
- Special care taken to make a uniform white or warm white illumination.
- Reflector is made of aluminum coated PC (120°C/248°F) with protective laquer (110°C/230F)
- Best available optical efficiency, up to 90%.
- Please check fastening details from this link:
(http://www.ledil.com/datasheets/DataSheet_GLUES.pdf)

LENS TYPES

NAME	ORDERING CODE	FWHM Angle
Cindy-L251 Spot	C10859_Cindy-L251-S	±11°
Cindy-L251 Medium	C10980_Cindy-L251-M	±16.5°
Cindy-L251 Wide	C10981_Cindy-L251-W	±28°

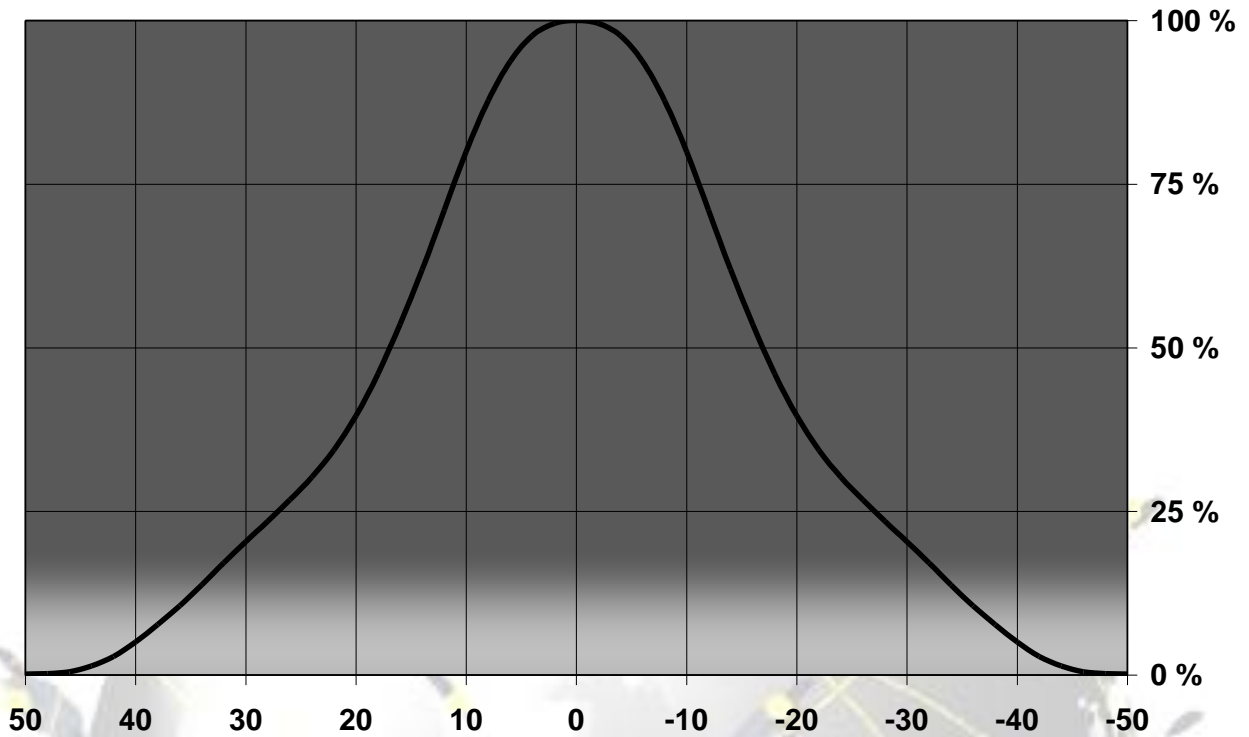
MEASUREMENT DATA

Relative Intensity of C10859_Cindy-L251-S



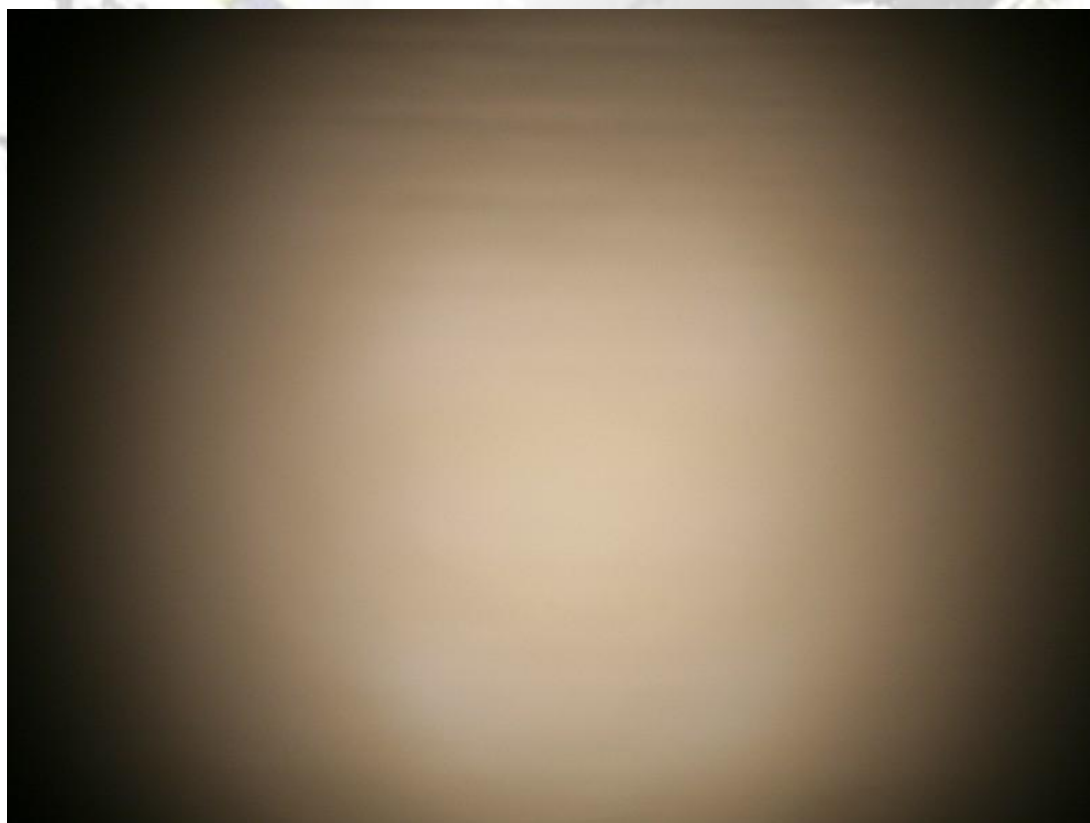
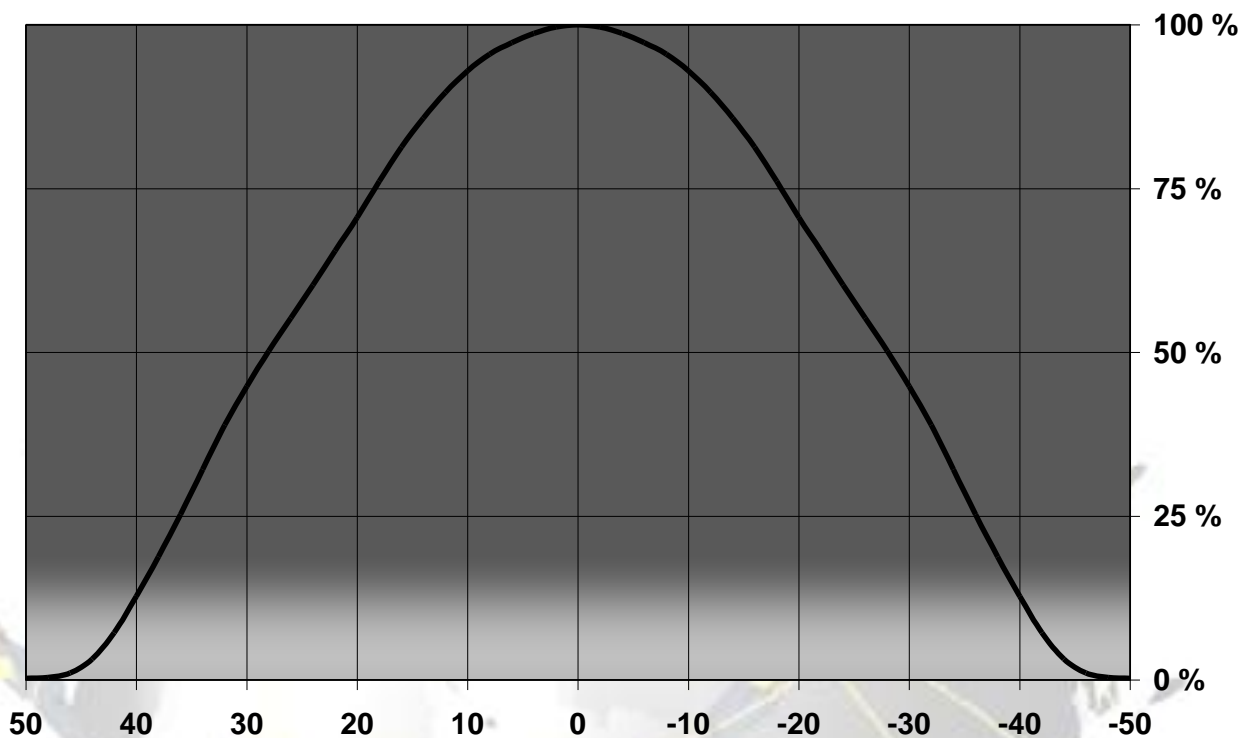
© Ledil Oy – PRELIMINARY - Subject to change without prior notice

Relative Intensity of C10980_Cindy-L251-M



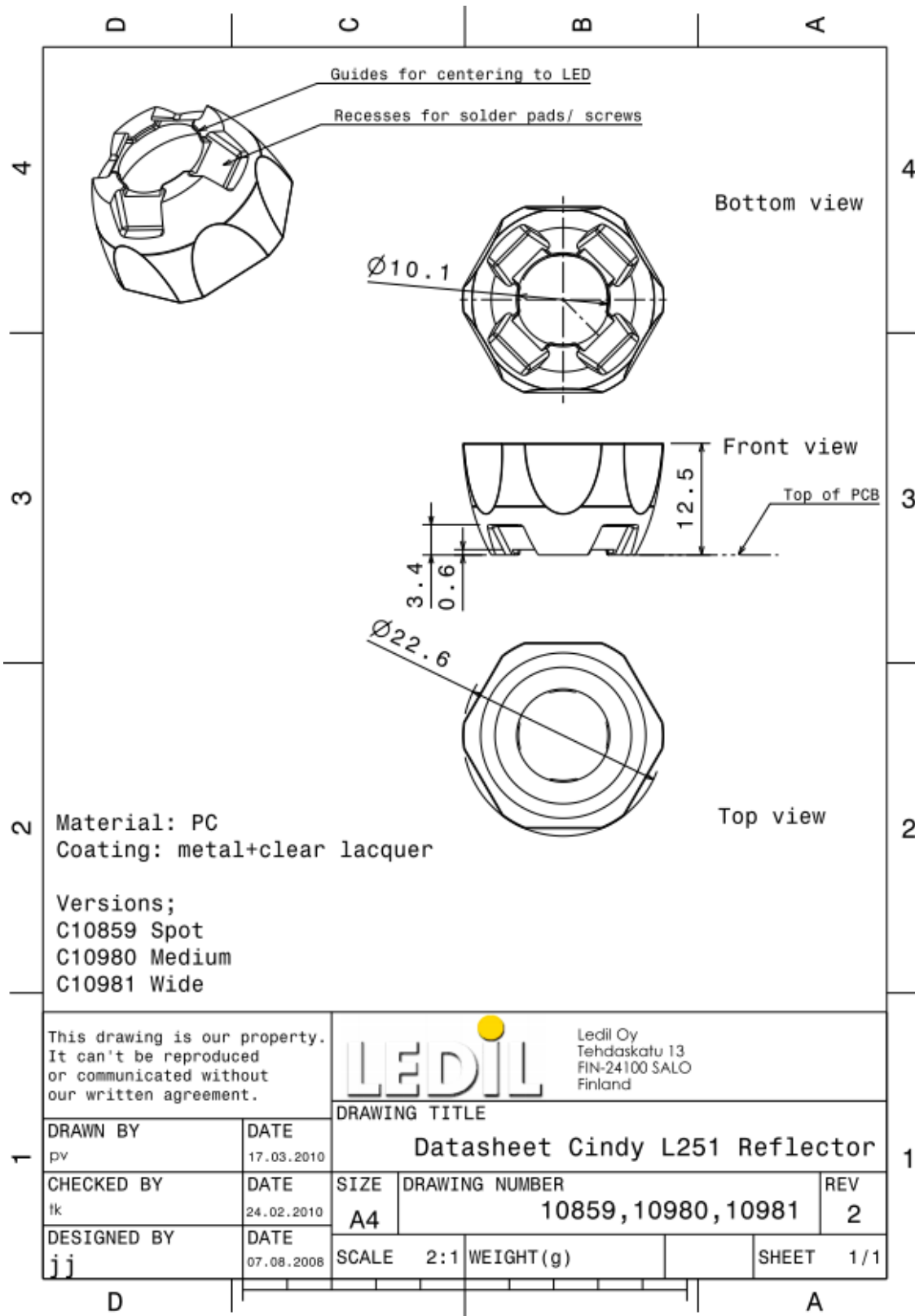
© Ledil Oy – PRELIMINARY - Subject to change without prior notice

Relative Intensity of C10981_Cindy-L251-W



© Ledil Oy – PRELIMINARY - Subject to change without prior notice

DRAWINGS



© Ledil Oy - PRELIMINARY - Subject to change without prior notice

Mouser Electronics

Authorized Distributor

Click to View Pricing, Inventory, Delivery & Lifecycle Information:

[Ledi:](#)

[FCX11157_RES-O-90](#)