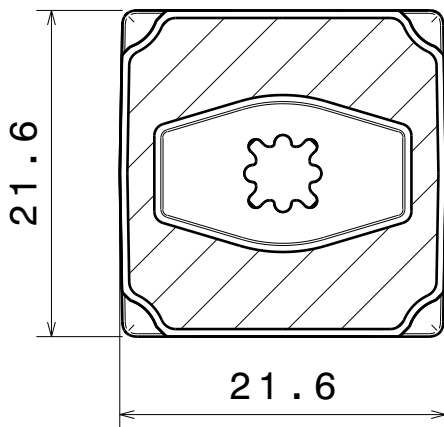
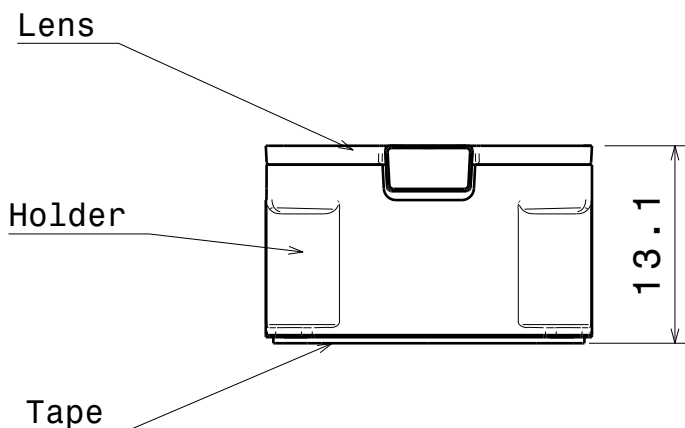


Isometric view
Scale: 1:1



Bottom view



Front view

Materials
lens: PMMA
holder: PC, black
Tape: PU Foam

This drawing is our property.
It can't be reproduced
or communicated without
our written agreement.



L
T
F
F

e
e
i
i
N
n

d
h

DRAWING TITLE

Datasheet Laura-tape series assy

| | |
|-------------------|--------------------|
| DRAWN BY p | DATE 11.06.2010 |
| CHECKED BY h | DATE 25.01.2010 |
| DESIGNED BY hh | DATE 21.01.2010 |

| | | |
|--------------|---------------------------|--------------|
| SIZE A4 | DRAWING NUMBER CA11353 | REV 1 |
| SCALE 2:1 | WEIGHT (g) | SHEET 1/1 |

D

A

Mouser Electronics

Authorized Distributor

Click to View Pricing, Inventory, Delivery & Lifecycle Information:

Ledil:

[CA12504_MIRA-W](#)