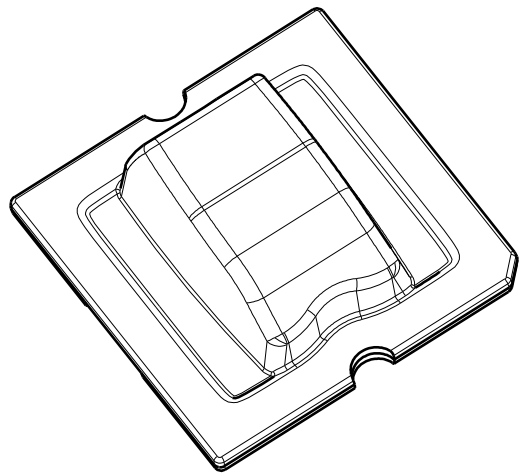
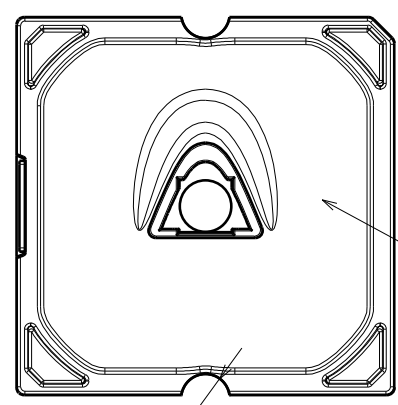


D C B A

4



Isometric view

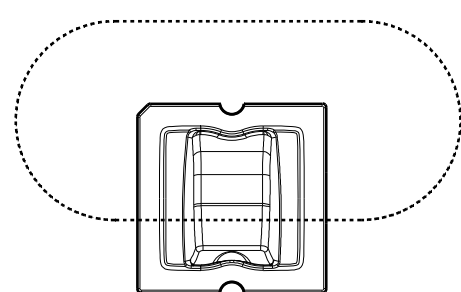


Tape area

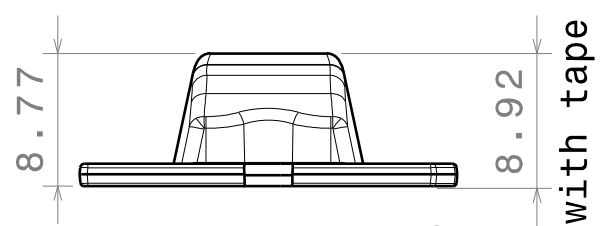
$\phi 3.2$

Bottom view

3



Beam direction



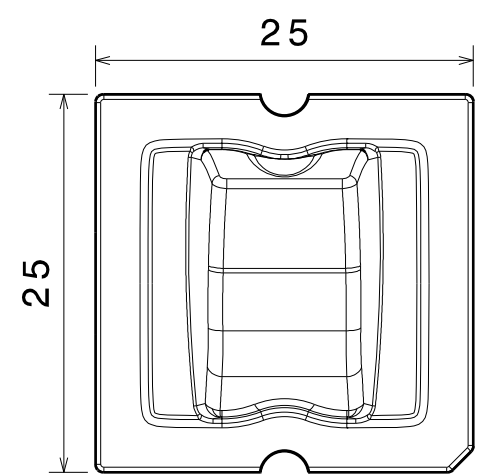
Front view

2

Part no.s:
C11816_Strada-SQ-T-DN-XP
C11816_Strada-SQ-T-DN-XP-G

Part no.s with tape:
CA11817_Strada-SQ-T-DN-XP-TAPE
CA11817_Strada-SQ-T-DN-XP-G-TAPE

MATERIALS
Lens: PMMA
Tape(optional): PU Foam



Top view

4

3

2

1

This drawing is our property.
It can't be reproduced
or communicated without
our written agreement.



Ledil Oy
Tehdaskatu 13
FIN-24100 SALO
Finland

DRAWING TITLE

Datasheet Strada-SQ-T-DN-XP Lens

DRAWN BY
mav

DATE
01.12.2010

CHECKED BY
pv

DATE
01.12.2010

SIZE
A4

DRAWING NUMBER
C11816

REV
1

DESIGNED BY
hh

DATE
01.12.2010

SCALE 2:1

WEIGHT (g)

SHEET

1 / 1

D A

Mouser Electronics

Authorized Distributor

Click to View Pricing, Inventory, Delivery & Lifecycle Information:

Ledil:

[C11818_STRADA-SQ-T-DW](#)