

D

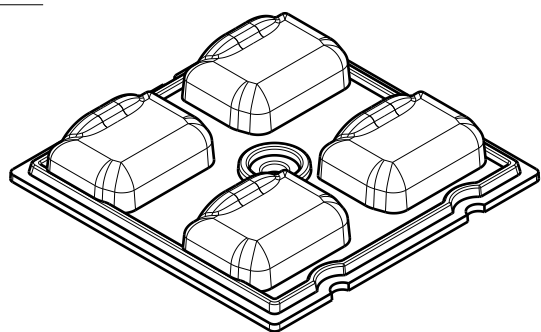
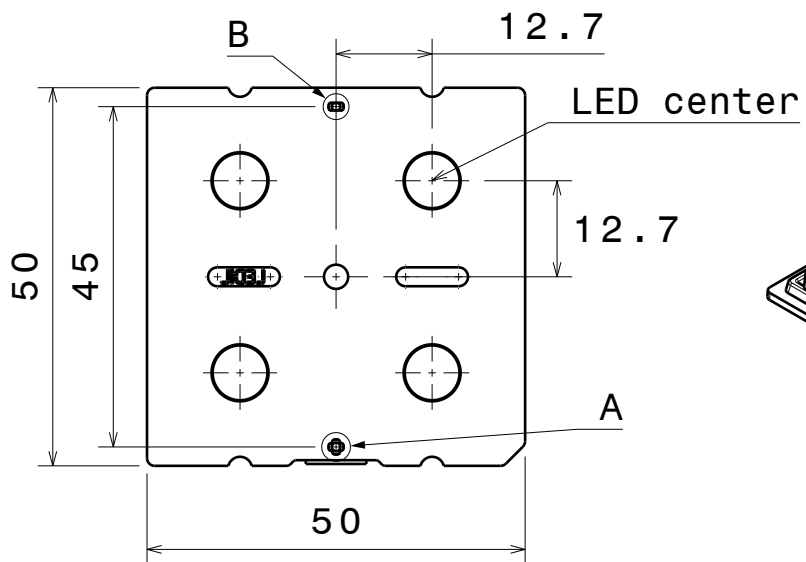
C

B

A

4

4

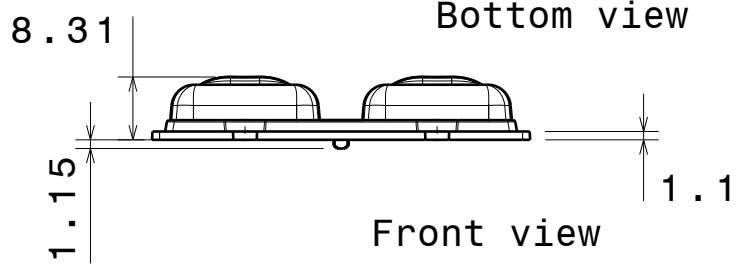


Isometric view

Bottom view

3

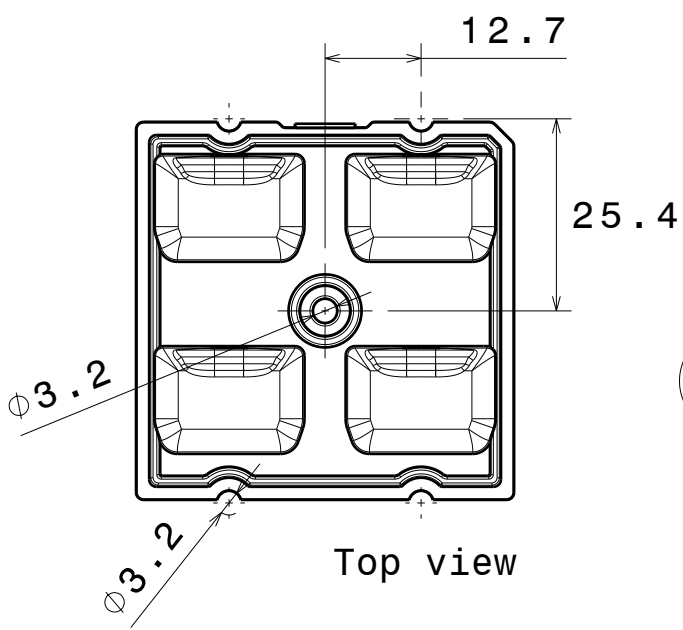
3



Front view

2

2



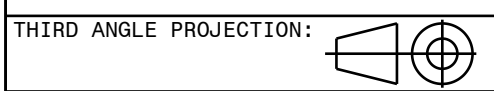
Top view

Detail B

Detail A

Tolerances if not otherwise shown
 According to DIN ISO 2768-1
 Linear measures:
 Up to 30mm class M, otherwise class C.
 According to DIN ISO 2768-2
 Form and position: class L

LEDiL	Ledil Oy		
	Salorankatu 10 FIN 24240 SALO Finland		



DRAWING TITLE
STRADA-2X2-ME-WIDE1

This drawing is the property of LEDiL Oy. It may not be reproduced, copied or communicated without a written agreement with LEDiL Oy.

SIZE	PART NUMBER
A4	C14164

SCALE	1:1	WEIGHT	-	SHEET	1/1
--------------	------------	---------------	---	--------------	------------

D

A

1

1

Mouser Electronics

Authorized Distributor

Click to View Pricing, Inventory, Delivery & Lifecycle Information:

Ledil:

[C14165_STRADA-2X2-ME-WIDE2](#)