

**Product number C11818\_STRADA-SQ-T-DW**

Family	Strada-SQ	FWHM	Asymmetric degrees
Type	Lens	Efficiency	90 %
LED	XP-E	cd/lm	(simulated) 0.000
Color	Clear	Gerber File	Available
Diameter	25 + 25 mm		
Height	10.67 mm		
Style	Square		
Optic Material	PMMA		
Holder Material	-		
Fastening	Screw, glue		
Status	On production		

**Product number CA11819\_STRADA-SQ-T-DW**

Family	Strada-SQ	FWHM	Asymmetric degrees
Type	Assembly	Efficiency	90 %
LED	XP-E	cd/lm	(simulated) 0.000
Color	Clear	Gerber File	Available
Diameter	25 + 25 mm		
Height	10.82 mm		
Style	Square		
Optic Material	PMMA		
Holder Material	-		
Fastening	Screw, tape		
Status	On production		

**NOTE: The typical divergence will be changed by different color, chip size and chip position tolerance. The typical total divergence is the full angle measured where the luminous intensity is half of the peak value.**



## PRODUCT DATASHEET Strada-SQ series

last update 26/8/2014



### GENERAL INFORMATION

- Product series especially designed & optimized for XP-E series of LEDs.
- Special care taken to make light distribution as uniform as possible.
- Lens material optical grade PMMA with high UV and temperature resistance. Allows use of high current and temperature conditions.

Please find more information about used material from below:

[http://ledil.fi/sites/default/files/Documents/Technical/Material/PMMA%20N%20UL94\\_Yellow%20Card.pdf](http://ledil.fi/sites/default/files/Documents/Technical/Material/PMMA%20N%20UL94_Yellow%20Card.pdf)

<http://ledil.fi/sites/default/files/Documents/Technical/Material/PMMA%20N%20PLEXIGLAS-Datasheet.pdf>

D

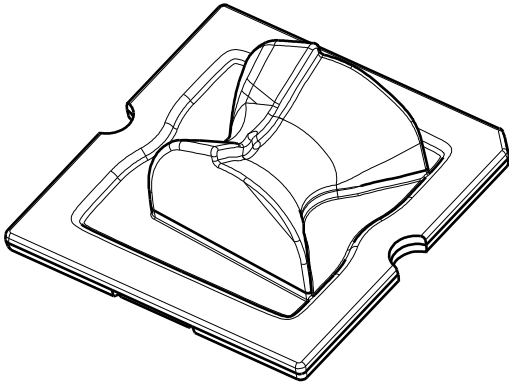
C

B

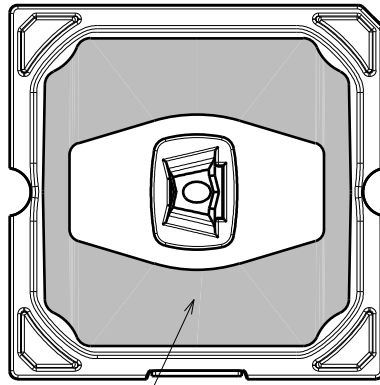
A

4

4



Isometric view

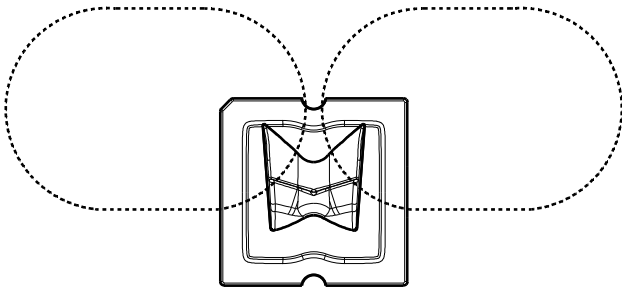


0.4mm tape

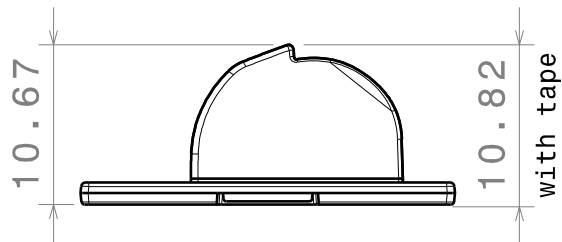
Bottom view

3

3



Beam direction



Front view

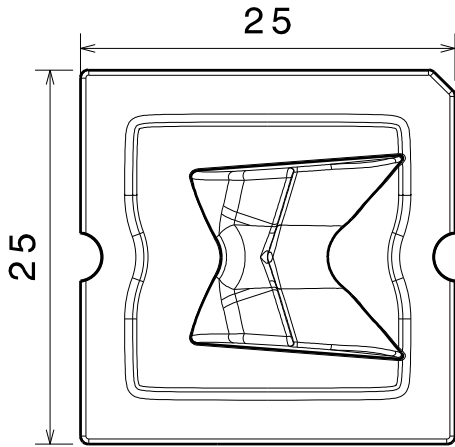
2

2

Part no.s:  
 C11818\_Strada-SQ-T-DW-XP  
 C11818\_Strada-SQ-T-DW-XP-G

Part no.s with tape:  
 CA11819\_Strada-SQ-T-DW-XP-TAPE  
 CA11819\_Strada-SQ-T-DW-XP-G-TAPE

MATERIALS  
 Lens: PMMA  
 Tape(optional): PU Foam



Top view

This drawing is our property.  
 It can't be reproduced  
 or communicated without  
 our written agreement.



Ledil Oy  
 Tehdaskatu 13  
 FIN-24100 SALO  
 Finland

DRAWING TITLE

Datasheet Strada-SQ-T-DW-XP Lens

DRAWN BY

mav

DATE

01.12.2010

CHECKED BY

pv

DATE

01.12.2010

SIZE

A4

DRAWING NUMBER

C11818

REV

1

DESIGNED BY

hh

DATE

01.12.2010

SCALE

2:1

WEIGHT (g)

SHEET

1/1

D

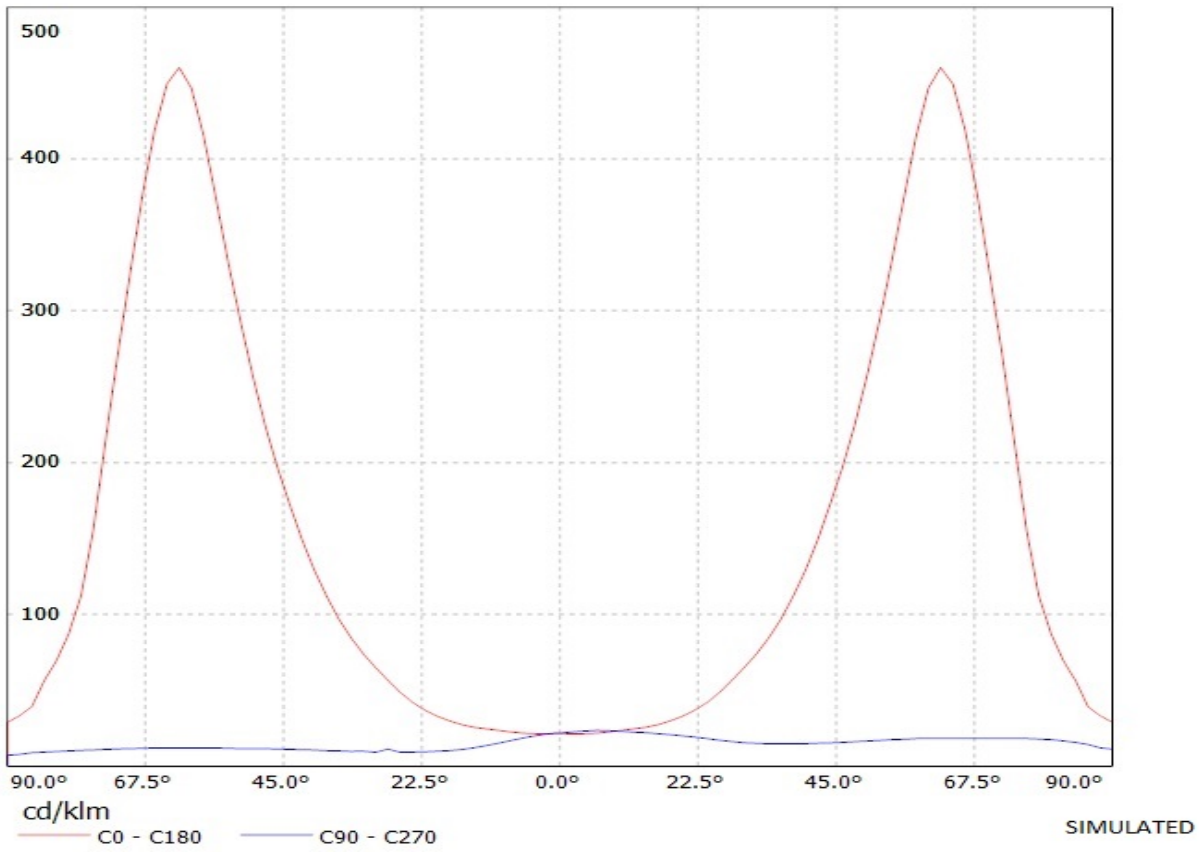
A

1

1

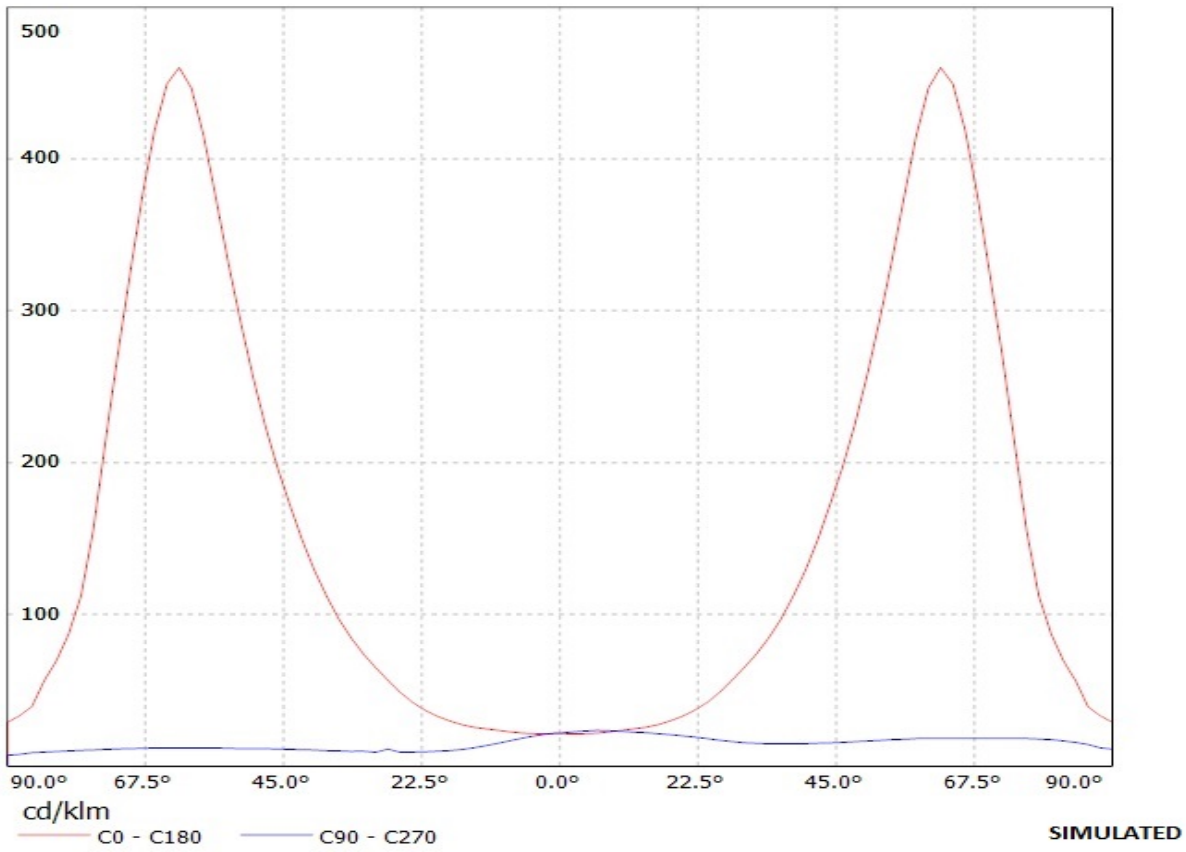
**Ledil Oy CA11819\_Strada-SQ-T-DW-XP-TAPE CA11819\_Strada-SQ-T-DW-XP-TAPE / LDC (Linear)**

Luminaire: Ledil Oy CA11819\_Strada-SQ-T-DW-XP-TAPE CA11819\_Strada-SQ-T-DW-XP-TAPE  
Lamps: 1 x Cree XP-E (White)



**Ledil Oy CA11819\_Strada-SQ-T-DW-XP-TAPE CA11819\_Strada-SQ-T-DW-XP-TAPE / LDC (Linear)**

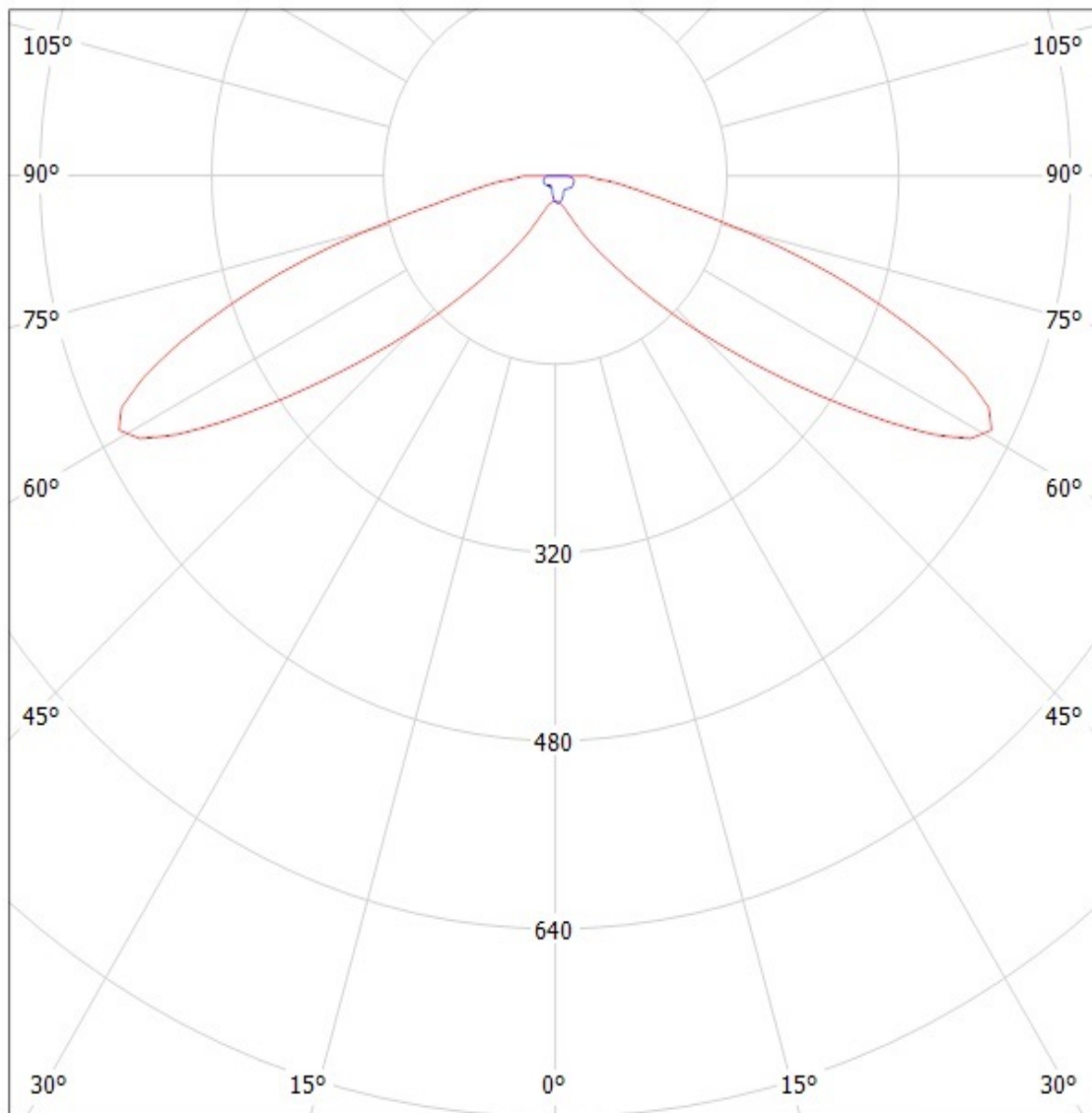
Luminaire: Ledil Oy CA11819\_Strada-SQ-T-DW-XP-TAPE CA11819\_Strada-SQ-T-DW-XP-TAPE  
Lamps: 1 x Cree XP-E (White)



# Ledil Oy CA11819\_Strada-SQ-T-DW-XP-TAPE CA11819\_Strada-SQ-T-DW-XP-TAPE / LDC (Polar)

Luminaire: Ledil Oy CA11819\_Strada-SQ-T-DW-XP-TAPE CA11819\_Strada-SQ-T-DW-XP-TAPE

Lamps: 1 x Cree XP-E (White)



cd/klm

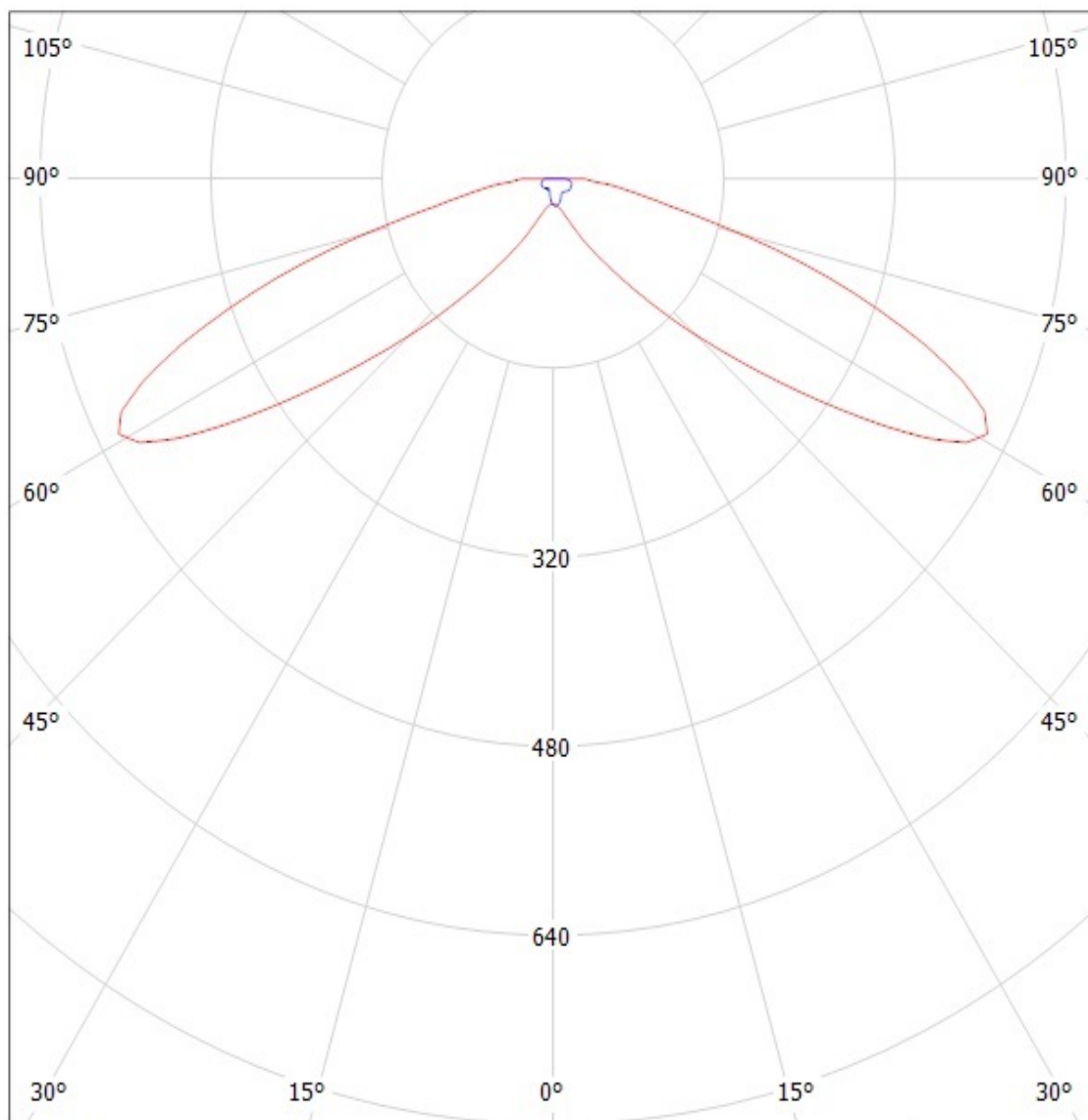
— C0 - C180 — C90 - C270

SIMULATED

# Ledil Oy CA11819\_Strada-SQ-T-DW-XP-TAPE CA11819\_Strada-SQ-T-DW-XP-TAPE / LDC (Polar)

Luminaire: Ledil Oy CA11819\_Strada-SQ-T-DW-XP-TAPE CA11819\_Strada-SQ-T-DW-XP-TAPE

Lamps: 1 x Cree XP-E (White)



cd/klm

— C0 - C180

— C90 - C270

**SIMULATED**