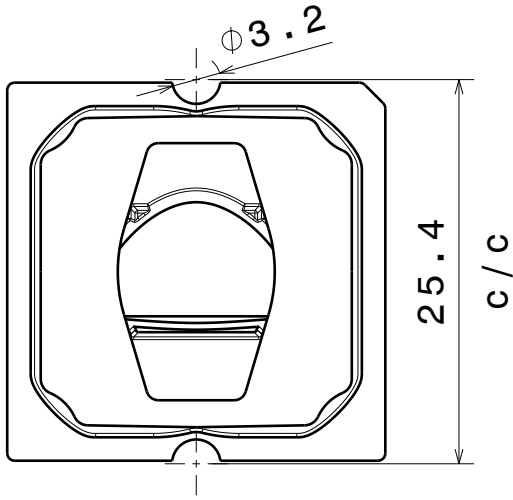


D

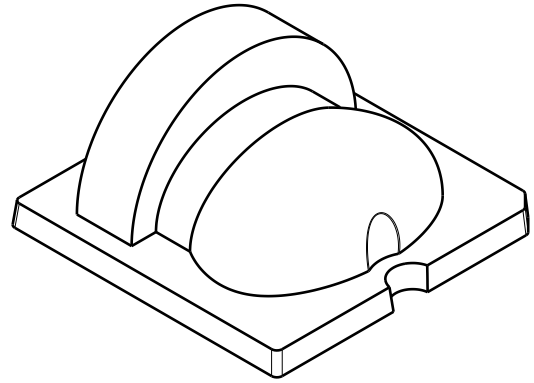
C

B

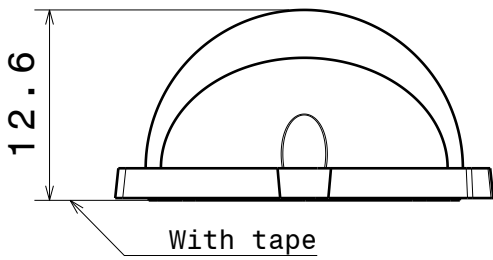
A



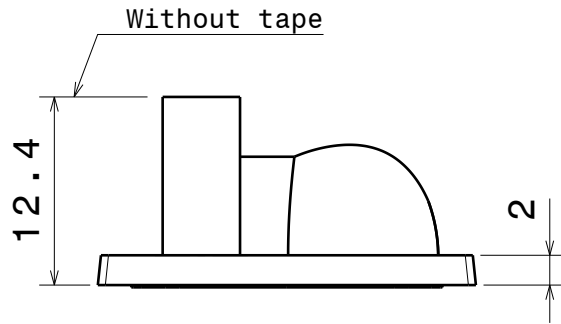
Bottom view



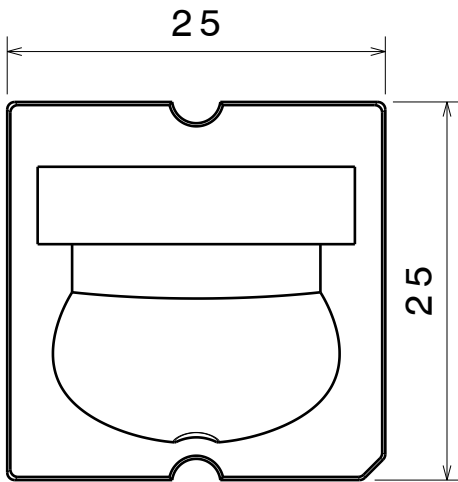
Isometric view



Front view



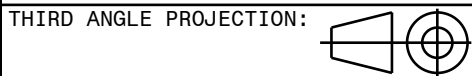
Left view



Top view

Tolerances if not otherwise shown  
 According to DIN ISO 2768-1  
 Linear measures:  
 Up to 30mm class M, otherwise class C.  
 According to DIN ISO 2768-2  
 Form and position: class L

**LEDiL** Ledil Oy  
 Salorankatu 10  
 FIN 24240 SALO  
 Finland



DRAWING TITLE

**STRADA-SQ-FS-NP**

This drawing is the property  
 of LEDiL Oy. It may not be  
 reproduced, copied or  
 communicated without a written  
 agreement with LEDiL Oy."

|      |             |
|------|-------------|
| SIZE | PART NUMBER |
| A4   | -           |

|       |     |        |     |       |     |
|-------|-----|--------|-----|-------|-----|
| SCALE | 2:1 | WEIGHT | - g | SHEET | 1/1 |
|-------|-----|--------|-----|-------|-----|

D

A

4

4

3

3

2

2

1

1

# Mouser Electronics

Authorized Distributor

Click to View Pricing, Inventory, Delivery & Lifecycle Information:

Ledil:

[CA13837\\_STRADA-SQ-T-DWC](#) [FCN14412\\_STELLA-A](#)