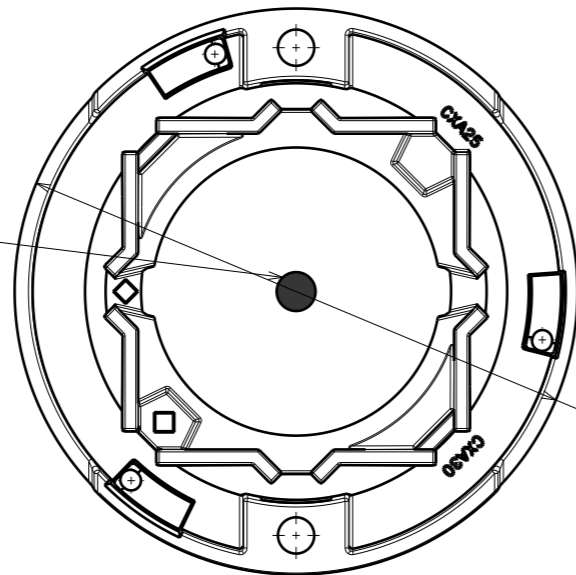


H G F E D C B A

4

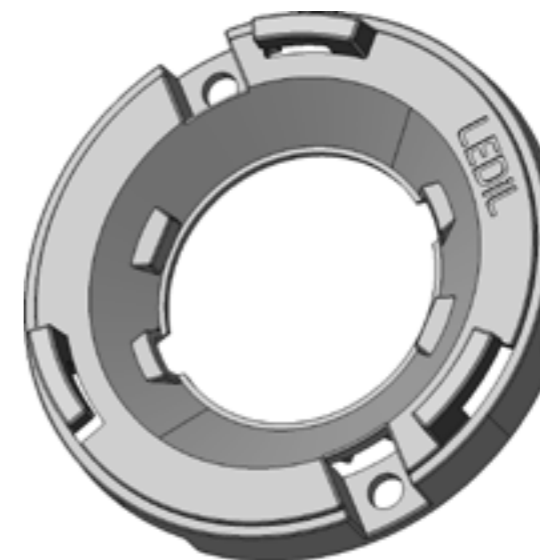
4

Led middle position  
CXA25 and CXA30



Bottom view

∅49.6

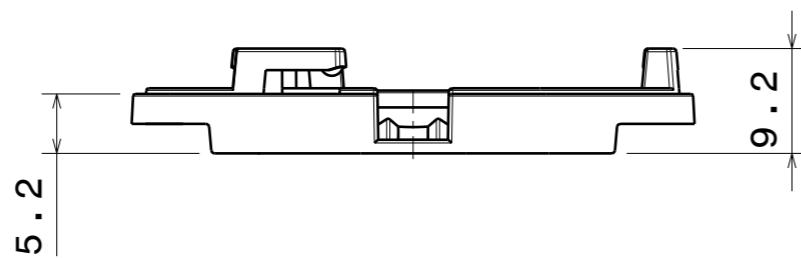


Isometric view

3

3

Front view



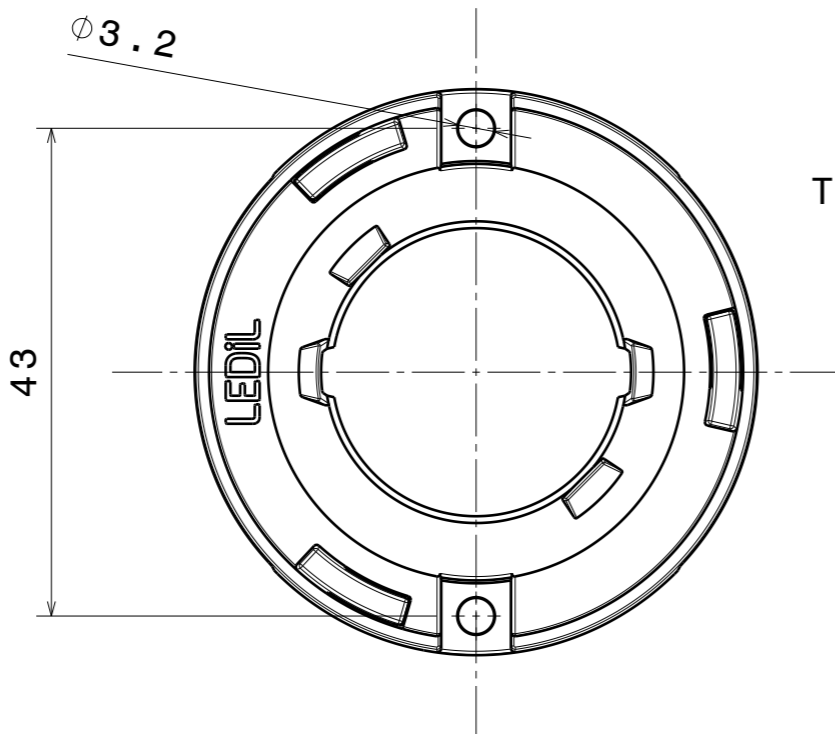
5.2

9.2

2

2

∅3.2



Top view

43

1

1

INDEX	PART NO	DESCRIPTION	MATERIAL	COLOUR
1	C14036	CLAMP-CXA25-30	PC	White

Tolerances if not otherwise shown  
According to DIN ISO 2768-1  
Linear measures:  
Up to 30mm class M, otherwise class C.  
According to DIN ISO 2768-2  
Form and position: class L



Ledil Oy  
Salorankatu 10  
FIN 24240 SALO  
Finland

THIRD ANGLE PROJECTION:



DRAWING TITLE  
**MechanicalDrawing\_CLAMP-CXA25-30**

This drawing is the property  
of LEDiL Oy. It may not be  
reproduced, copied or  
communicated without a written  
agreement with LEDiL Oy."

SIZE	PART NUMBER			
<b>A3</b>	<b>C14036</b>			
SCALE	3:2	WEIGHT	(g)	SHEET 1/1

H G F E D C B A

# Mouser Electronics

Authorized Distributor

Click to View Pricing, Inventory, Delivery & Lifecycle Information:

Ledil:

[C14054\\_MELODY-4-M2](#)