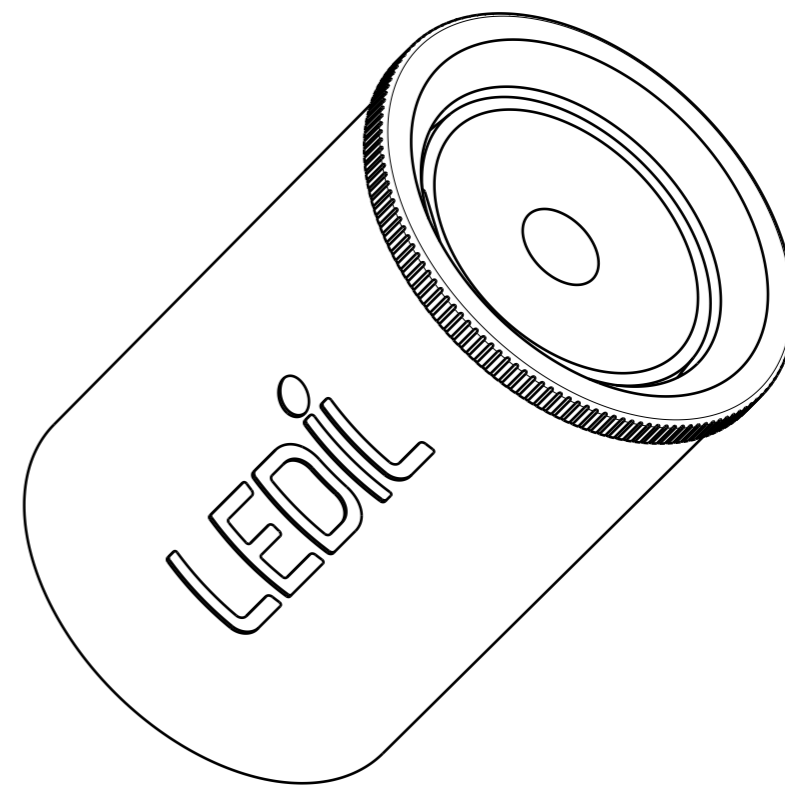
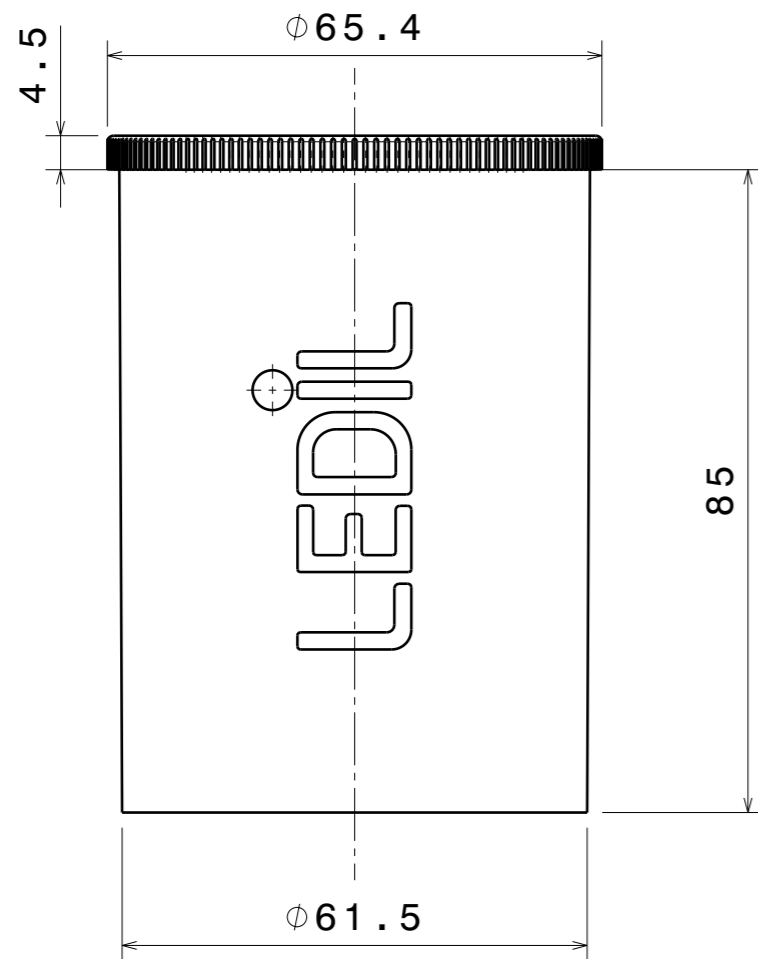
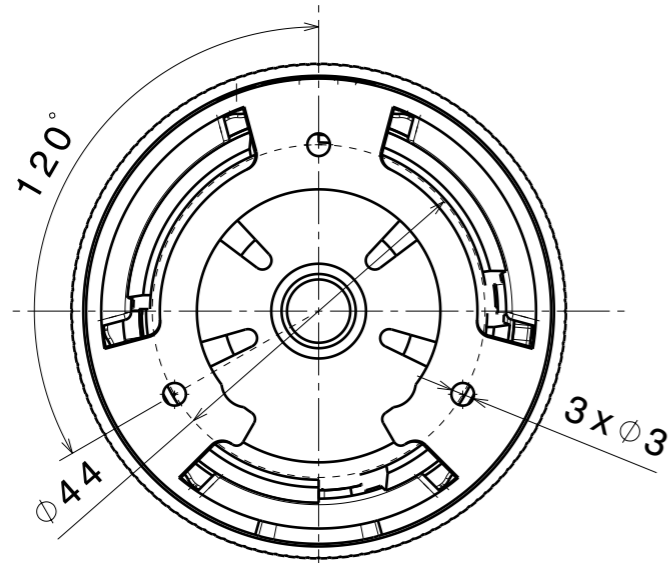


INDEX	PART NO	DESCRIPTION	MATERIAL
1			



Tolerances if not otherwise shown:  
According to DIN ISO 2768-1  
Linear measures:  
Up to 30mm class F, otherwise class M.

According to DIN ISO 2768-2  
Form and position:  
class K

Raw materials:  
LENSES: PMMA  
HOUSING PARTS: PC

This drawing is our property.  
It can't be reproduced  
or communicated without  
our written agreement.



Ledil Oy  
Salorankatu 10  
FIN 24240 SALO  
Finland

DRAWN BY PL	DATE 9/19/2012
CHECKED BY -	DATE -
DESIGNED BY -	DATE -

DRAWING TITLE		Part Drawing	
Datasheet ZOWIE-MAXI assembly			
SIZE A3	PART NUMBER CP13054	REV 001	
SCALE 1:1	WEIGHT -	SHEET 1/1	