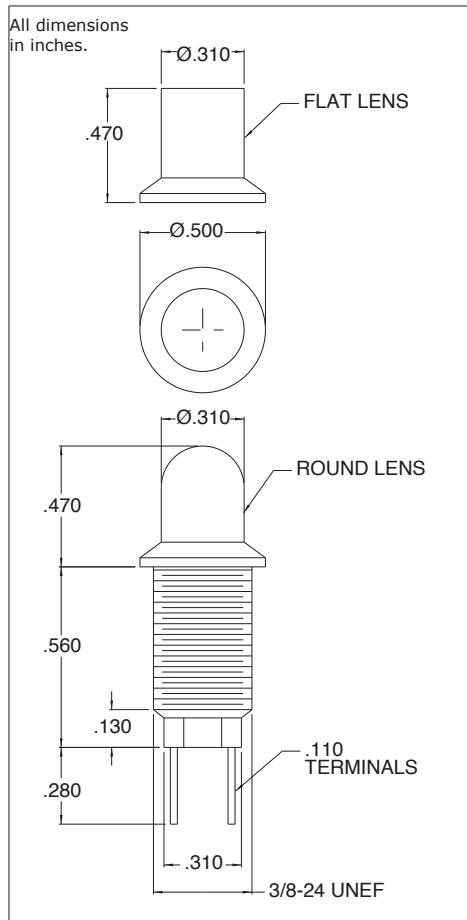


4611 Series Relampable Indicator Light

Description and Features



Ordering Information:

For use with T-1 3/4 wedge-based lamps, complete assembly consists of socket (4611) lamp and lens (see chart below). Items supplied unassembled. Lamp lens and socket must be ordered separately.

Mounting: Model 4611 (threaded) supplied with zinc finished hex nut and internal tooth lock washer. Mounting hole pattern on page SP2.

Lens: Polycarbonate, twist-on, positively held

Bezel: Polished stainless steel.

Socket: Black Nylon

Lens Color Table		
Color	Round Lens No.	Flat Lens No.
Red	4621	4631
Clear	-	4632
Amber	4623	4633
White	-	4634
Green	4625	4635
Blue	-	-
Yellow	4627	-

Mouser Electronics

Authorized Distributor

Click to View Pricing, Inventory, Delivery & Lifecycle Information:

[Chicago Miniature:](#)

[4611](#) [4631](#) [4624](#) [4621](#) [4625](#) [4634](#) [4632](#) [4637](#) [4623](#) [4622](#) [4633](#) [4627](#) [4636](#) [4635](#) [4626](#)