



Mounting Bezel

Including BEZ-202C-V1 and BEZ-204A-V1

Technical Manual

Revision 1.0

Revision History

Revision	Date	Description	Author
1.0	March 31, 2014	Initial Release	Simon

Contents

- 1 Introduction 1
- 2 Physical Description 3
 - 2.1 Size 3
 - 2.2 Material..... 5
- 3 Versions..... 6
 - 3.1 -KIT 6
 - 3.2 -OEM 6
- 4 Mounting..... 7
- 5 Contact..... 9

1 Introduction



Figure 1: BEZ-202C-V1



Figure 2: BEZ-204A-V1

The Bezel and Mounting Kit is a system to mount Matrix Orbital displays while providing a clean and visually pleasing appearance. It is made from injection molded plastic, with threaded brass inserts allowing easy attachment and removal of the bezel and display. A clear plastic window is included to protect the display.

Each bezel is available in two versions; a kit including all required mounting hardware, and an OEM version which includes only the bezel and window.

There are several sizes available, each of which fits a different size of display.

Sizes currently available include:

Bezel	Compatible Displays
BEZ-202C-V1	LK/VK202-25 LK/VK202-25-USB MOS/MOI/MOU-AL/AV202C MOP-AL/AV202C Many other industry LCDs with 108mm x 29mm mounting holes
BEZ-204A-V1	LCD/VFD2041 LK/VK204-25 LK/VK204-25-USB MOP-AL/AV204A GLK12232-25-FGW/WB Many other industry LCDs with 93mm x 55mm mounting holes

2 Physical Description

2.1 Size

Figure 3: Bez-202C-V1 Dimensions

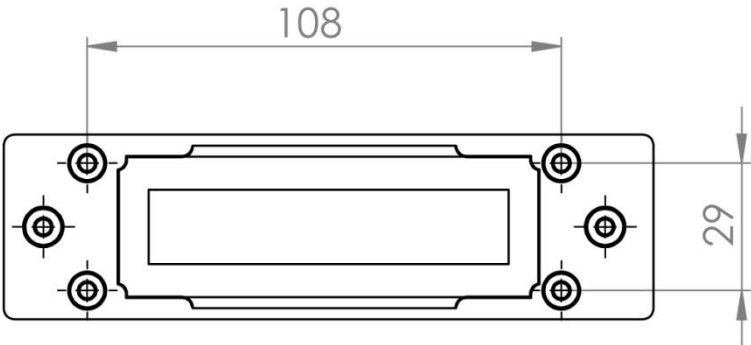
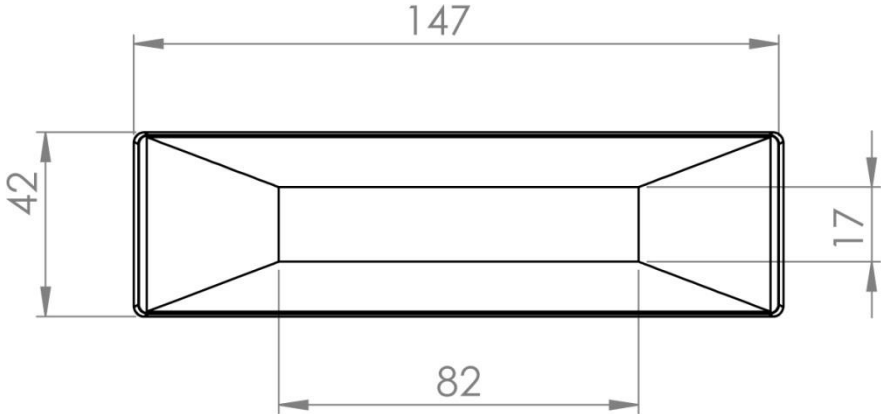
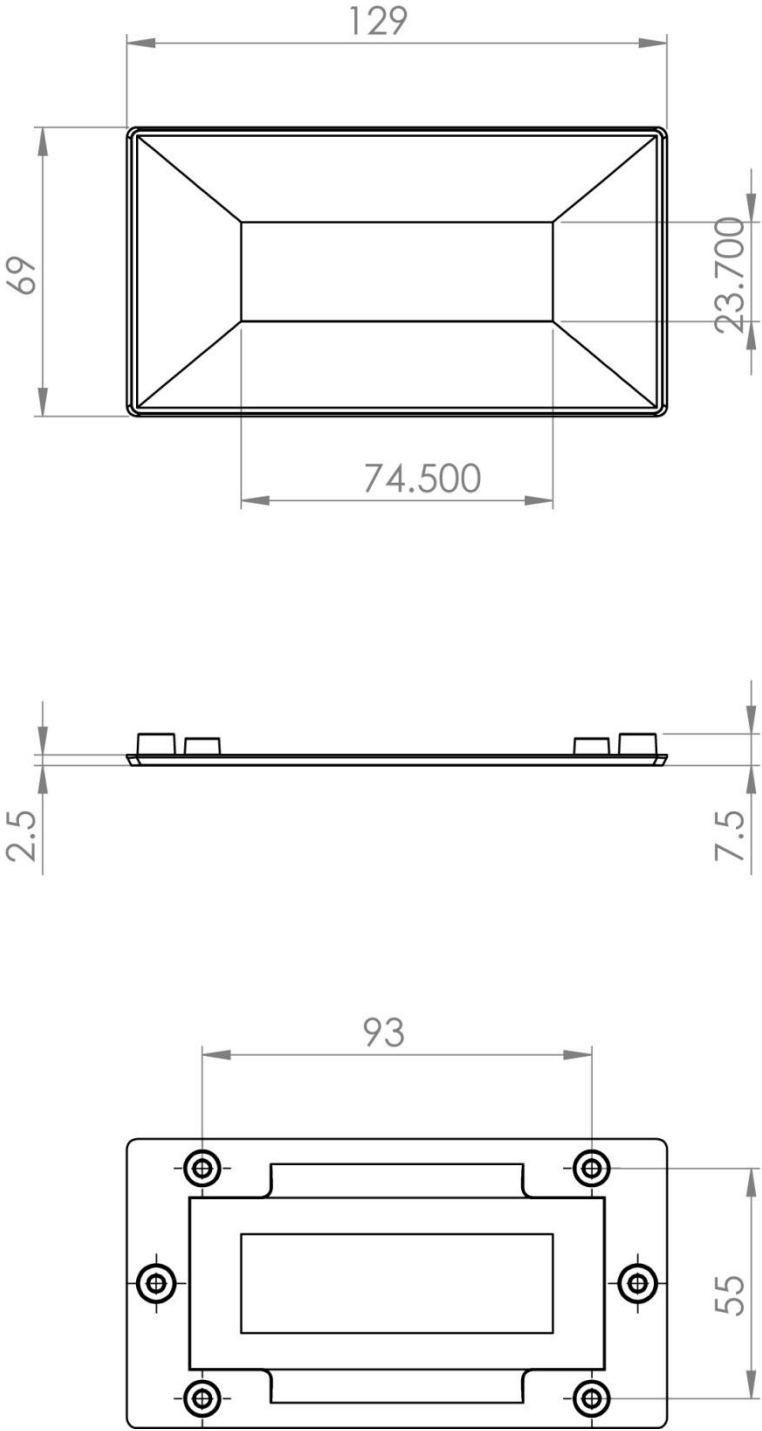


Figure 4: Bez-204A-V1 Dimensions



2.2 Material

The bezel is made from injection molded ABS plastic. The pre-installed threaded inserts are brass. The window is polycarbonate, with 3M 9795MP adhesive. The screws are steel. The cup washers and spacers are nylon.

3 Versions

3.1 -KIT

The kit version of the bezel includes the bezel, instructions, and all required mounting hardware.

Description	No. Included
Bezel	1
Clear window with adhesive	1
Cup Washer	2
4-40 x 1/8 machine screw	2
4-40 x 5/8 machine screw	4
4-40 x 3/8 machine screw	4
6mm nylon spacer	4
Cut out guide sticker	1
Instruction Sheet	1

3.2 -OEM

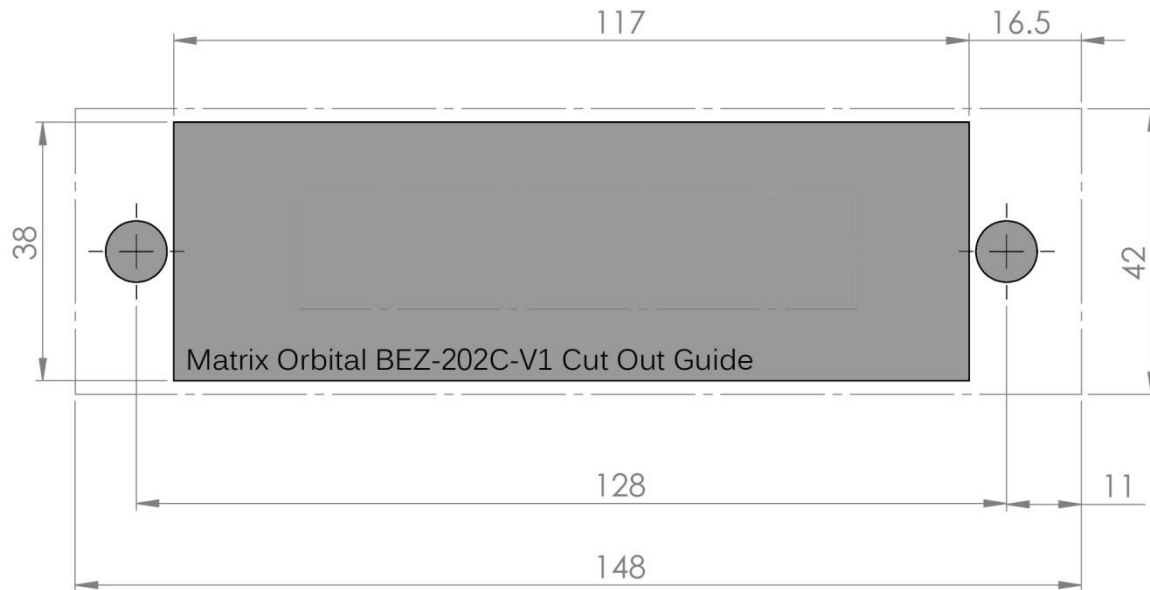
The OEM version of the bezel includes the bezel and window only.

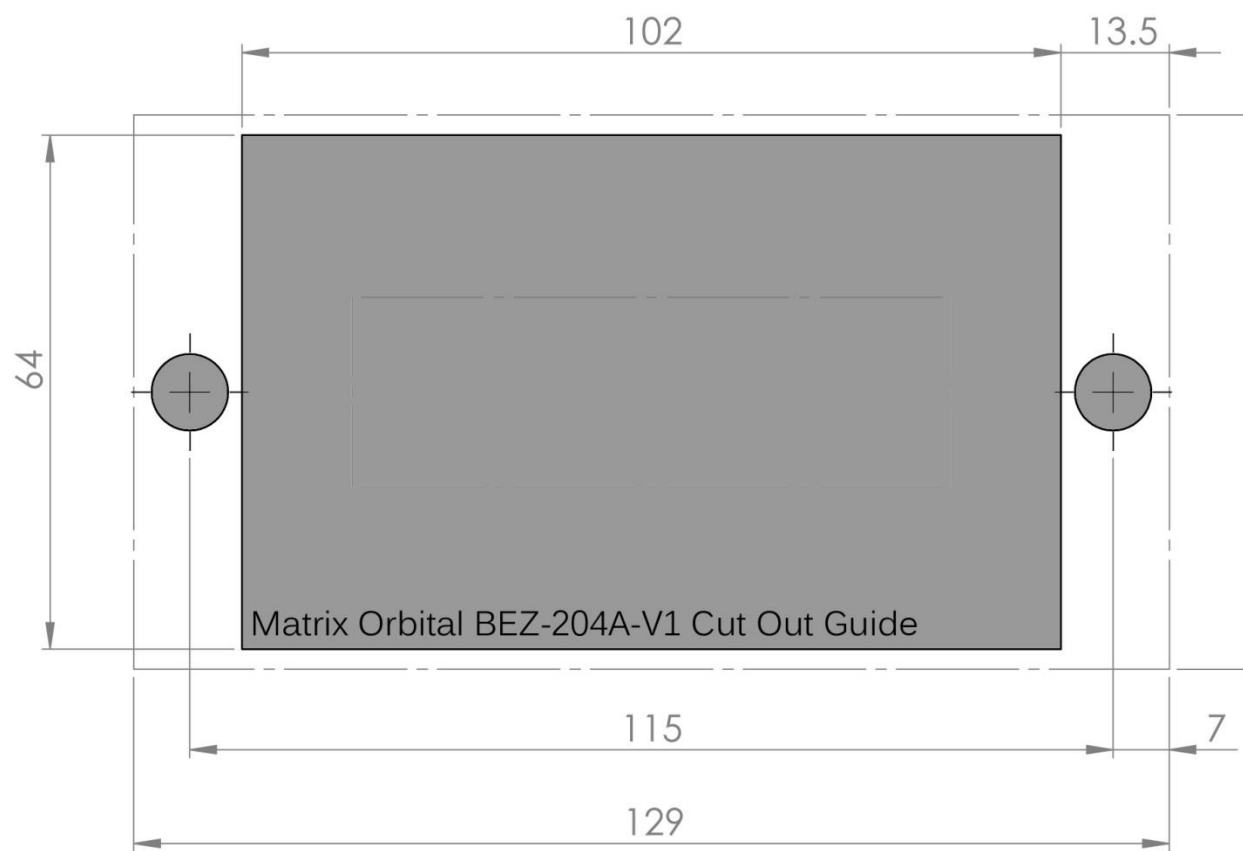
Description	No. Included
Bezel	1
Window with adhesive	1

4 Mounting

For detailed mounting instructions, please refer to the instruction booklet included with the kit version of the bezel, or available at www.matrixorbital.ca

See below for cut out guides. Please ensure proper size by using the guides available at www.matrixorbital.ca





5 Contact

Sales

Phone: 403.229.2737

Email: sales@matrixorbital.ca

Support

Phone: 403.204.3750

Email: support@matrixorbital.ca

Online

Purchasing: www.matrixorbital.com

Support: www.matrixorbital.ca

Mouser Electronics

Authorized Distributor

Click to View Pricing, Inventory, Delivery & Lifecycle Information:

[Matrix Orbital:](#)

[BEZ-202C-V1-W-KIT](#) [BEZ-204A-V1-W-OEM](#) [BEZ-202C-V1-W-OEM](#) [BEZ-204A-V1-W-KIT](#)