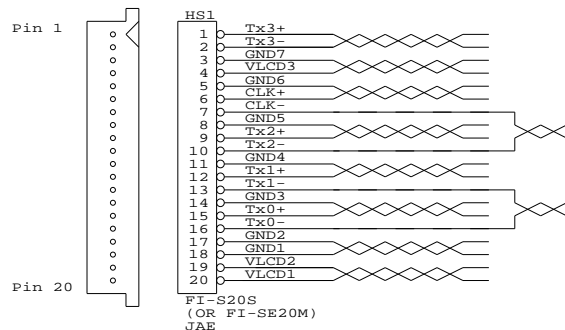
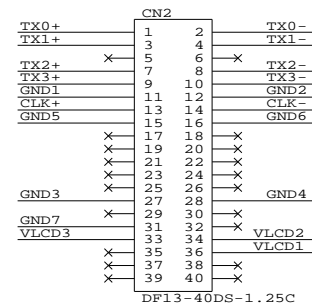


TOLERANCE :  
+1.0mm  
-1.0mm

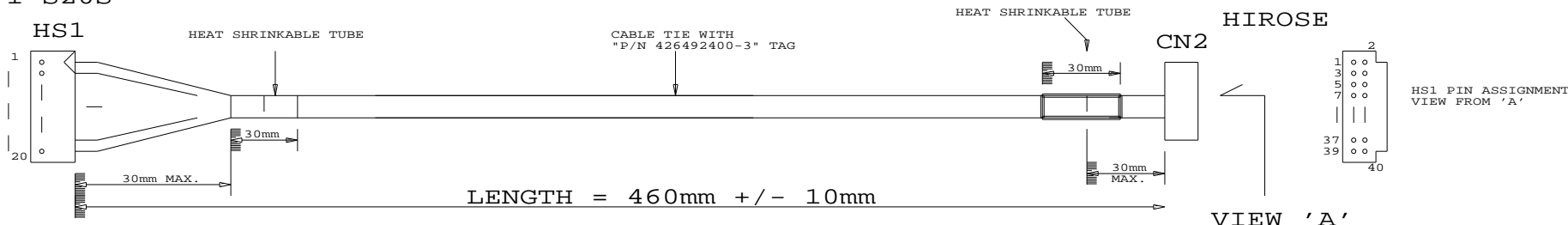


PANEL SIDE



JAE  
FI-S20S

DF-40DS-1.25C  
HIROSE



CABLE: UL 20276, 10 PAIRS, 30AWG, L=460mm  
JACKET: PVC COLOR BLACK

USAGE:  
(FOR SVH-1920, ALR-1400, SP-1600)

P/N 426493000-3  
LVDS PANEL CABLE: NEC NL10276BC16-01, 460mm

DIGITAL VIEW LTD. COPYRIGHT 2006, ALL RIGHTS RESERVED CONFIDENTIAL		
DRAWN BY: VICTOR NG		
Title LVDS CABLE: NEC NL10276BC16-01, 460mm		
Size	Document Number	REV
B	(...\DV\DV_CABLE\C6493000.SCH)	00
Date:	May 30, 2006	Sheet 1 of 1

# Mouser Electronics

Authorized Distributor

Click to View Pricing, Inventory, Delivery & Lifecycle Information:

[Digital View:](#)

[426493000-3](#)