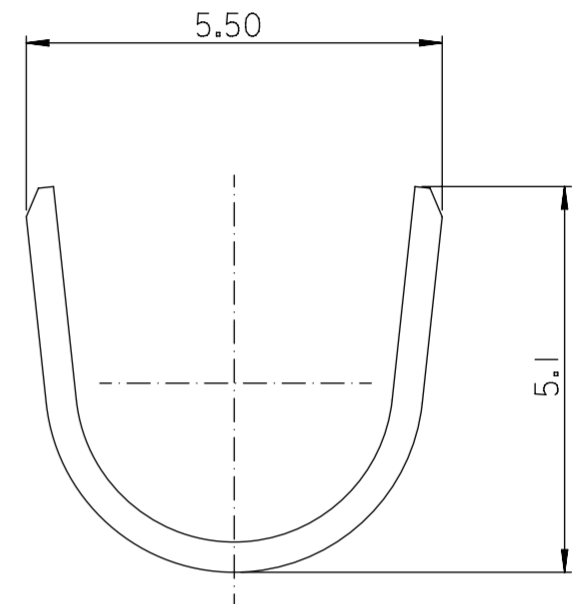


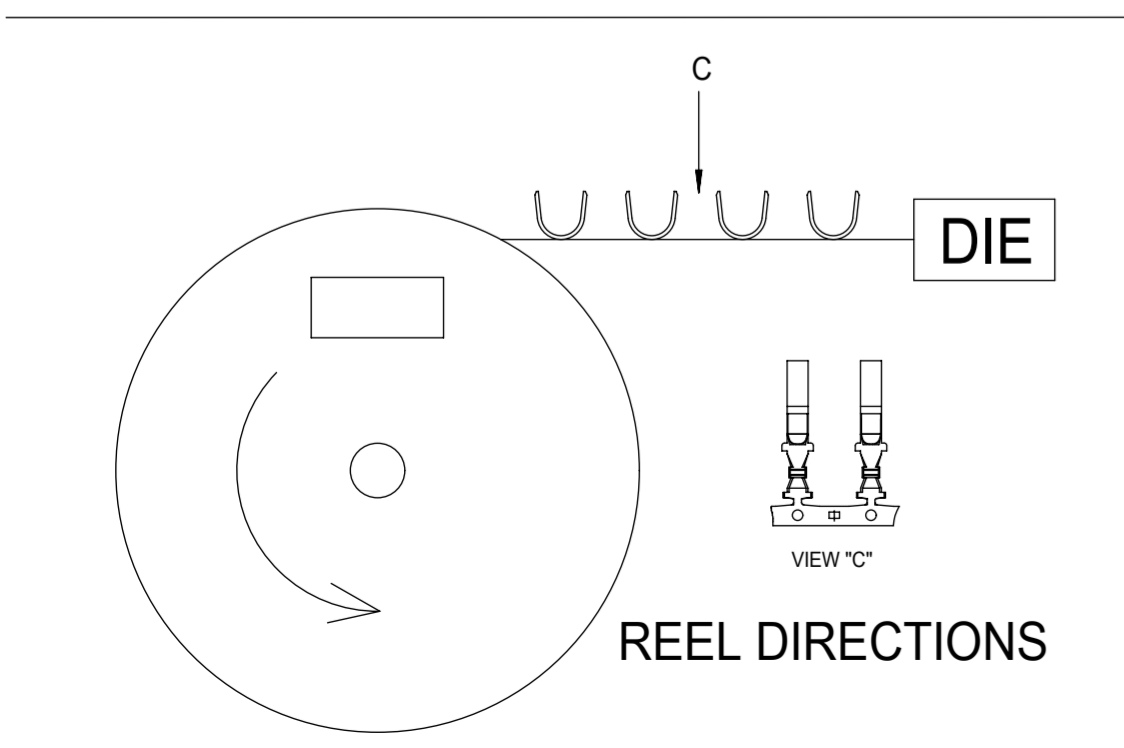
SECT. A-A



SECT. B-B

NOTES

1. APPLICABLE WIRE SIZE : AVS 0.5~0.85SQ
2. APPLICABLE WIRE SEAL PART NO: 35903-0096
3. APPLICABLE SOCKET PART NO: 35842-030*/35843-02**
4. MATERIAL: PHOSPHOR BRONZE,
PLATING=UNPLATED, THICKNESS=0.40mm



FUNCTIONAL SYMBOLS	THIS DRAWING CONTAINS INFORMATION THAT IS PROPRIETARY TO MOLEX ELECTRONIC TECHNOLOGIES, LLC AND SHOULD NOT BE USED WITHOUT WRITTEN PERMISSION											
	DIMENSION UNITS	SCALE		CURRENT REV DESC:								
$\frac{F}{A} = 0$	MM	5:1		EC NO: 639598 DRWN: HJGANG CHK'D: TOSADA APPR: TOSADA								
$\frac{F}{C} = 0$	GENERAL TOLERANCES (UNLESS SPECIFIED)									2020/06/16		2020/07/03
DIVISIONAL SYMBOLS	4 PLACES		±	MM	INCH	INITIAL REVISION:		DOCUMENT NUMBER		DOC TYPE	DOC PART	REVISION
	3 PLACES		±			DRWN: YSKIM04		SD-35464-001		PSD	001	B2
	2 PLACES		± 0.2			1998/11/26		MATERIAL NUMBER		CUSTOMER		
	1 PLACE		± 0.3			1998/11/30		35464		GENERAL MARKET		
0 PLACES		±			ANGULAR TOL ± 1.0 °		THIRD ANGLE PROJECTION		SERIES		SHEET NUMBER	
DRAFT WHERE APPLICABLE MUST REMAIN WITHIN DIMENSIONS						A2-SIZE		35464		1 OF 1		