

SGX-1920L

High Resolution LCD Controller Board

Key Features :

- > 10-bit, 1920 x 1200
- > Dual Digital Picture In Picture
- > RS-232. Ethernet Control
- > Low Profile

The SGX-1920L is a fully buffered multi-sync controller which provides 2x ARGB, 4x Composite and 2x HDMI input support for a wide range of TFT LCD panels up to WUXGA resolution.

A true 10-bit board that gives 10-bit color depth on a 10-bit panel.

The board features full screen image expansion, on screen PIP, image marker and supports an option 3G HD-SDI converter board (HD-3000) through the HDMI port for professional and broadcast video applications.

Panel Connectivity

1920 x 1200	1440 x 900	1024 x 768
1920 x 1080	1366 x 768	800 x 600
1680 x 1050	1280 x 1024	800 x 480
1600 x 1200	1280 x 768	640 x 480

Input

Analog RGB:	60Hz at WUXGA, UXGA 75Hz at SXGA, WXGA, XGA, SVGA, VGA With auto detect of Digital Separate Sync, Sync-On-Green & Composite Sync. Auto detects VGA-WUXGA, interlaced & non-interlaced
HDMI x2:	60Hz at WUXGA 75Hz at SXGA, WXGA, XGA, SVGA, VGA 1080p, 1080i, 720p, 576p, 480p
Composite x4:	NTSC /PAL/SECAM (Interlaced) Composite Video, S-video SD Component (YCbCr) HD Component (YPbPr)

Reliability

Calculated Mean Time Between Failures In excess of 100,000 hours.
Warranty: 3 years.

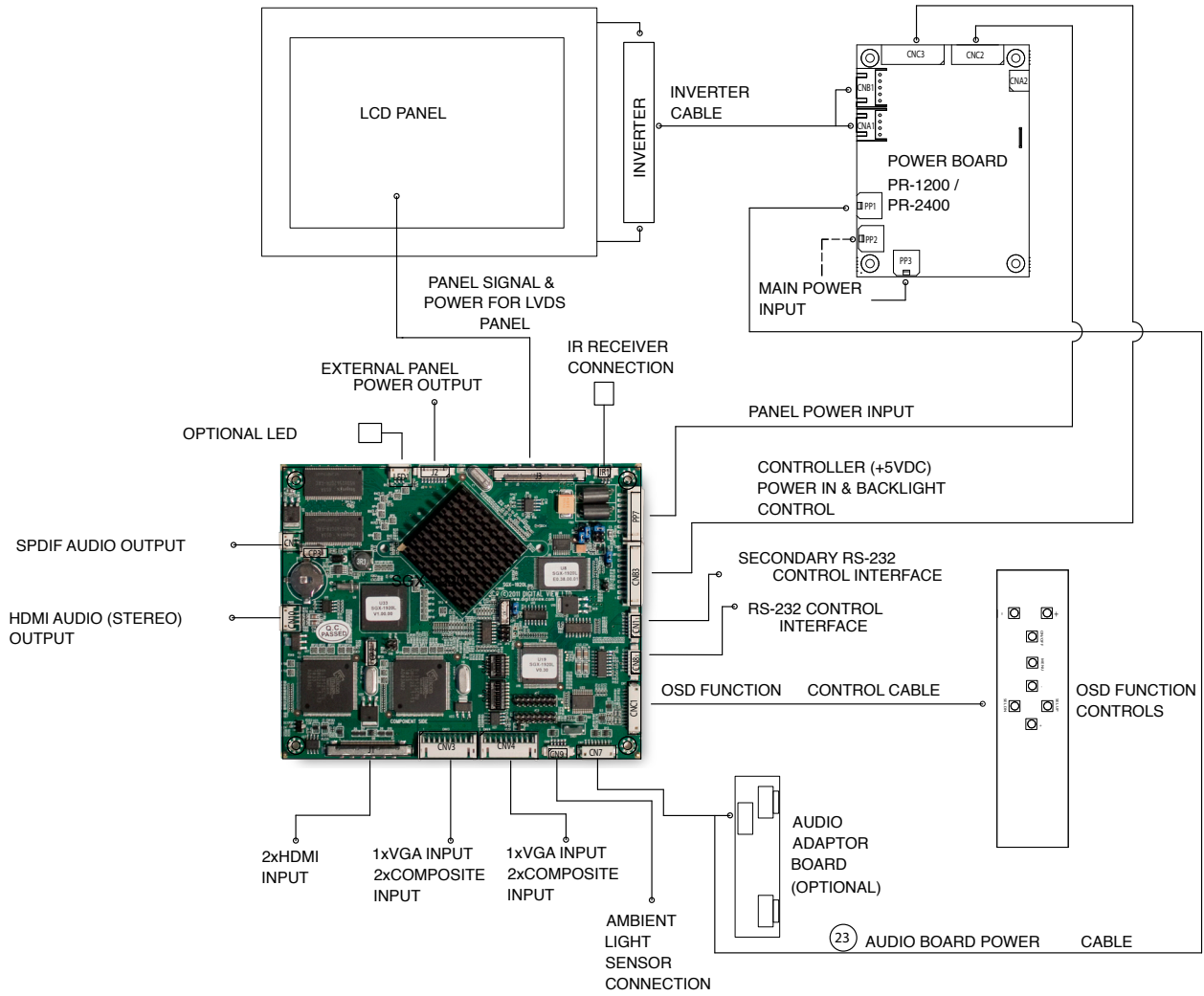
Features

Colors:	Up to 10 bit per color, ie 1.06 Billion colors.
Functions :	On Screen Display (OSD) menu.
Function Controls:	External buttons, Infra-Red controls, Serial Port control, Ethernet Control
Image Scaling :	Up / Down scaling to fit input to panel format.
Image Control :	Auto configuration, Brightness, Contrast, Clock, Phase, Color temperature, Image position, Saturation, Hue, Gamma.
Other Features :	System Information, OSD position, Scaling to fill screen and fill to aspect ratio, OSD timeout, Factory reset, OSD menu transparency, Picture in Picture - variable position with 18 sizes selection and Picture by Picture, Programmable hot keys, Ambient light sensor.
Power :	+12VDC ±5%,10W
Panel Power :	Supports 3.3V, 5V, 12V & 18V panels.
Panel Signal :	Dual channel LVDS support.
Inverter Support :	DPMS Enable pin (3.3V or 5V)
Plug & Play :	DDC 1,2/b compatible
Status Indicator :	Dual Color LED support.

SGX-1920L

High Resolution LCD Controller Board

Connection Diagram



Available Resources

- > Instruction Manual
 - > Revision Control Documentation**
 - > Firmware Upgrade Manual**
 - > Mechanical Drawing
- ** Available on Request

Controller Solution Generator

Already have a panel? Use this free utility to find the perfect LCD Controller to get you up and running.
 Visit : www.digitalview.com/csg

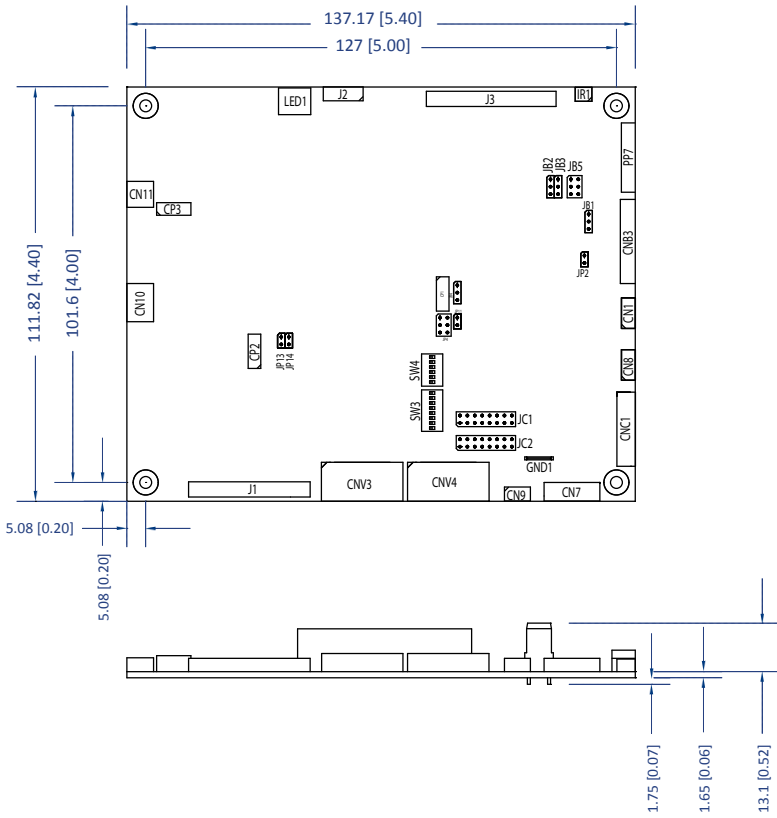
Save time and effort for your system volumetric analysis design. Inc jpg file previews.

Please download at
www.digitalview.com/products/sgx-1920l-lcd-controller

SGX-1920L

High Resolution LCD Controller Board

Mechanical Drawing



Connector Definitions

Ref	Description	Matching Cable
CN1	Second RS-232 serial control	P/N 426091300-3
CN7	Audio board connector	P/N 426454500-3
CN8	RS-232 serial control	P/N 426091300-3
CN9	Ambient light sensor connector	P/N 426031600-3
CN10	HDMI audio (stereo) output	P/N 426454400-3
CN11	SPDIF Audio Input	P/N 426007400-3
CP1	Reserved	N/A
CP2	Reserved	N/A
CP3	Reserved	N/A
CNB2	Power In & Backlight Control	P/N 426101100-3
CNC1	OSD controls	P/N 426122210-3
CNV3	1x VGA & 2x Composite Input	P/N 426301400-3
CNV4	1x VGA & 2x Composite Input	P/N 426301400-3
J1	2 x HDMI Input	P/N 426300900-3
J2	Additional Panel Power Output	Dependant on Panel
J3	Panel Signal for LVDS Panel	Dependant on Panel
LED1	Dual Color LED Connector	P/N 426031400-3

Custom Engineering Services

Custom input timing, panel timing, splash screen, OSD Menu, conformal coatings, layouts etc

Ordering Options

SGX-1920L Controller Board	P/N 4172600xx-3
PR-1200 (12V Power Board)	P/N 41601961x-3
PR-2400 (24V Power Board)	P/N 41601951x-3

Accessories

HD-SDI Adaptors :

Single Channel (HD-3000S)	P/N 4160164xx-3
Dual Channel (HD-3000)	P/N 4160160xx-3

Dual HDMI Input Cable	P/N 426300900-3
VGA + Composite Cable	P/N 426301400-3
IR Remote Control	P/N 559000106-3
Audio Amplifier	P/N 416940020-3

OSD Digital Button Board	Kit 67110-3
OSD Vertical Membrane	Kit 67134-3
OSD Horizontal Membrane	Kit 67135-3

EUROPE

6 Marylebone Passage, London, W1W 8EX, UK
t : +44 (0) 20-7631-2150

ASIA

16th Floor Millennium City 3, 370 Kwun Tong Road, Kwun Tong, Hong Kong
t : (852) 2861-3615

USA

18440 Technology Drive, Morgan Hill, CA 95037, USA
t : +1 (408) 782-7773

Mouser Electronics

Authorized Distributor

Click to View Pricing, Inventory, Delivery & Lifecycle Information:

[Digital View:](#)

[426300900-3](#) [KIT 67134-3](#) [KIT 67110-3](#) [426007400-3](#) [426091300-3](#)