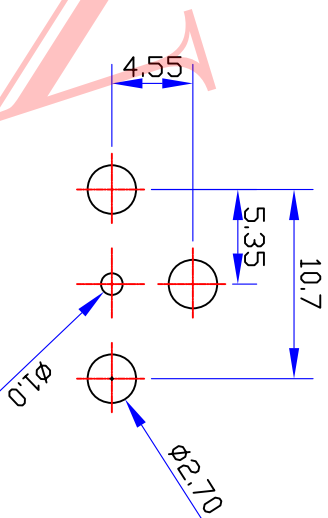
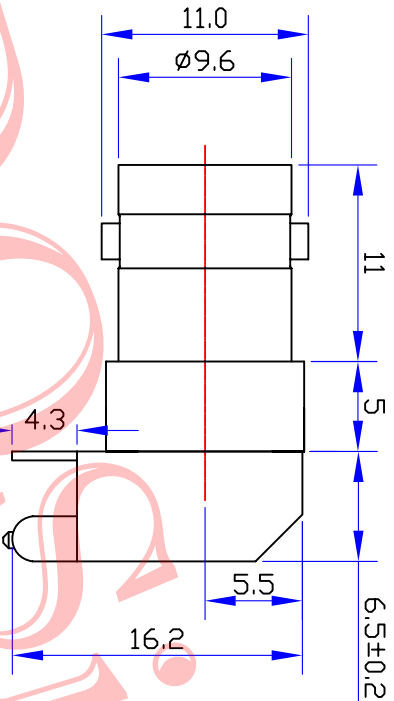
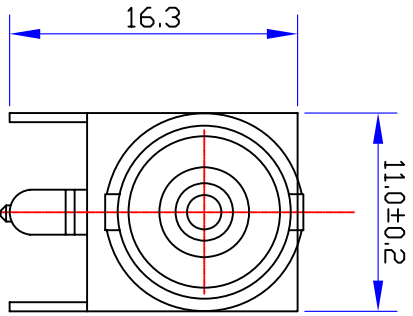




Product NO.		DOSIN-801-0072		
REV	DESCRIPTION	DMN	DATE	APPROVEN
A	First Issue	JIM	2012/11/02	John kine



PCB LAYOUT
< BOTTOM VIEW >

Specifications

Impedance: 50 Ohms
 Frequency Range: DC~3G
 VSWR: 1.3MAX
 Working Voltage: 500V rms @ sea level
 Insulation Resistance: 5000 Ohms min
 Temperature Range: -55°C T0 +155°C
 Relative Temperature: ≤95% (40°C ±2°C)
 Drawings products are in line with ROHS standards

D	STAND	TIN PLATE	NICKEL	1
C	INSULATOR	POM	NONE	1
B	CONTACT PLATING	BRASS	GOLD	1
A	BODY	BRASS	NICKEL	1
ND	DESCRIPTION	MATERIAL	FINISHED	QTY

NOTE:	DRAWN	2012/11/10	Tolerance	0-6 ±0.15 6-30 ±0.20 30-120 ±0.5 Angular ±2°
CHECKED	Zelin Zhang	10	View	

APPROVALS	SCALE	1:1
Yaku Kine	UNIT	MM

Name: BNC CONNECTOR DNN
 Size: A
 Date: 2012/11/02
 Product No: DOSIN-801-0072
 CAD FILE: D:/company drawings/BD

Dosin Industrial(H.K)Co.Ltd		E-mail: dosin2005@163.com	
东莞市德奈五金电子有限公司		dosin2005@dosing-china.com	
Dosin Hardware Electronics Co.,Ltd		Web: http://www.dosing.com	
		TEL: (0086)769-81153906	
		FAX: (0086)769-81875836	