

REV.	DESCRIPTION	DRAWN	CHECKED	APPROVED
A	NEW RELEASE	JLZ 08/16/16'		

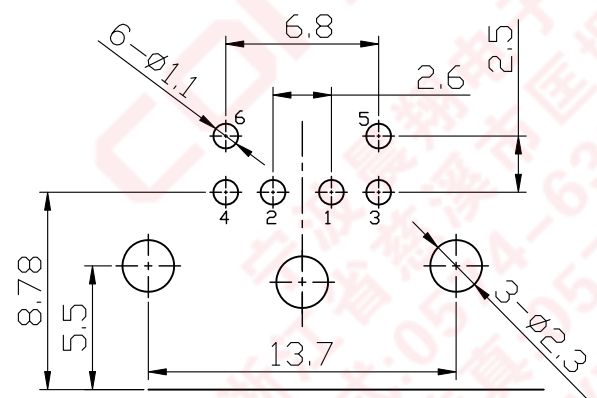
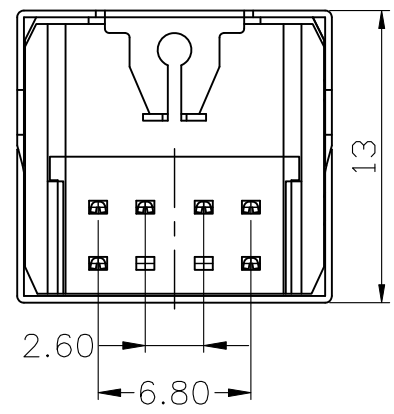
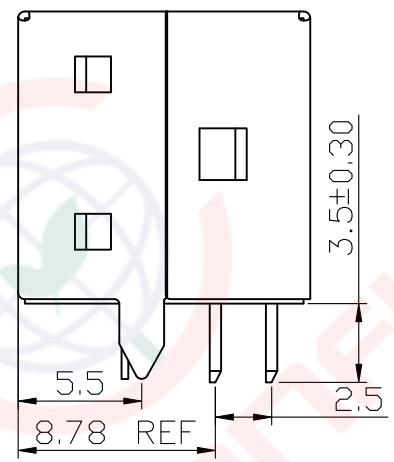
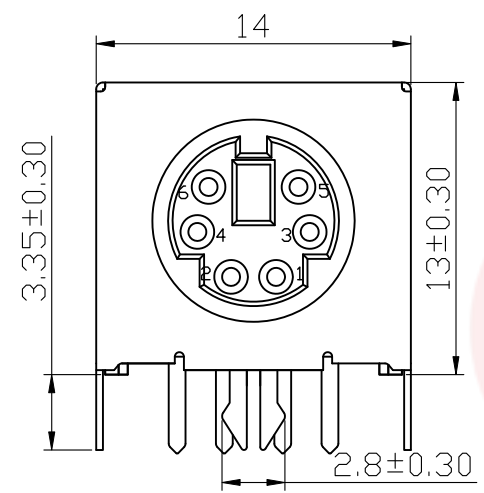
NOTES:

- SPECIFICATIONS:
  - VOLTAGE RATING: 30V DC.
  - CONTACT CURRENT RATING: 1A MAX. PER PIN.
  - CONTACT RESISTANCE: 30 MILLIOHMS MAX.
  - DIELECTRIC WITHSTANDING VOLTAGE: 500V AC(rms) FOR 1 MINUTE.
  - INSULATION RESISTANCE: 1000 MEGAOHMS MIN.
  - OPERATING TEMPERATURE: -40°C~+105°C.

2. PRODUCT NUMBER CODE:

DS1093-01 - X X X X

- X X X X — Contact plating
- 0: Selective Gold Flash
- No.of contacts: 6
- Shell Plating: N: Nickel
- Color of housing P: Purple



RECOMMEND PCB LAYOUT(TOLERANCE=±0.05)

GENERAL TOLERANCE		ANGLE TOLERANCE		PROJECTION		TITLE	MINI DIN 803 TYPE	
X.	±0.60	X.	±5°	UNITS	mm			
.X	±0.38	.X	±3°	SHEET SIZE	A4	SERIES	DS1093-01 SERIES	
.XX	±0.25	.XX	±2°	<b>晨翔电子有限公司</b> <b>CONNFLY CONNFLY ELECTRONIC CO. LTD</b>				
DRAWING TYPE		CUSTOMER						
SCALE		1:1	SHEET 1 OF 1					
DRAWING NO.		C-DS1093-01-PN60-A						