

1. Scope

The present specifications shall apply to Sanken silicon diode, RU2C

2. Outline

Type	Silicon rectifier diode (mesa type)
Structure	Resin molded Flammability : UL94V-0(Equivalent)
Applications	Pulse rectification, etc.

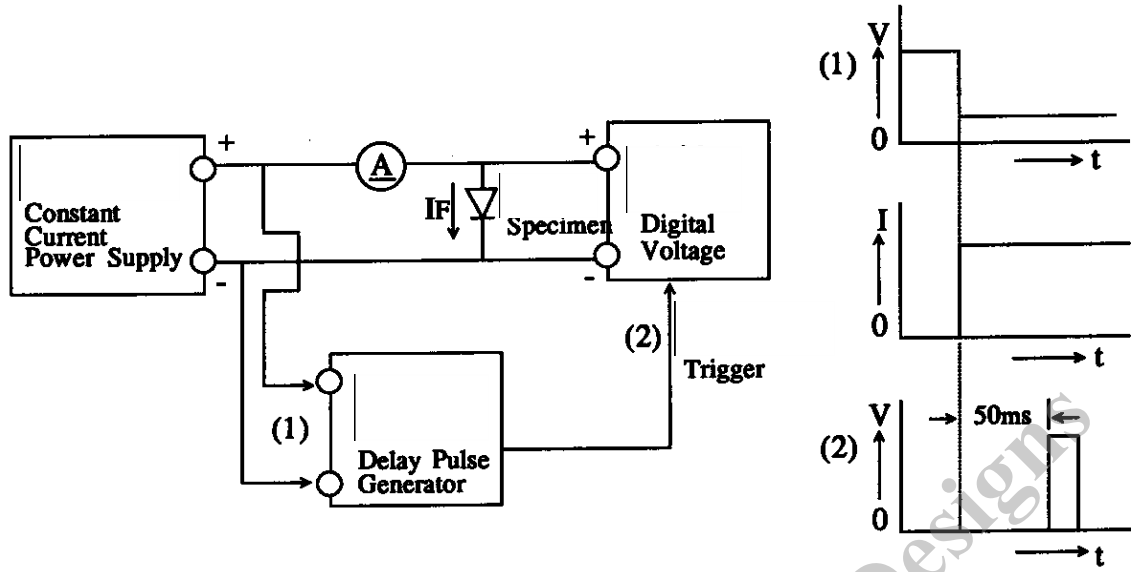
3. Absolute maximum ratings

No.	Item	Symbol	Unit	Rating	Conditions
1	Transient Peak Reverse Voltage	V_{RSM}	V	1000	
2	Peak Reverse Voltage	V_{RM}	V	1000	
3	Average Forward Current	$I_{F(AV)}$	A	0.8	Refer to 6for Derating
4	Peak Surge Forward Current	I_{FSM}	A	20	10msec. 10ms.Half sinewave, one shot
5	Junction Temperature	T_j	°C	-40~+150	
6	Storage Temperature	T_{stg}	°C	-40~+150	

4. Electrical characteristics

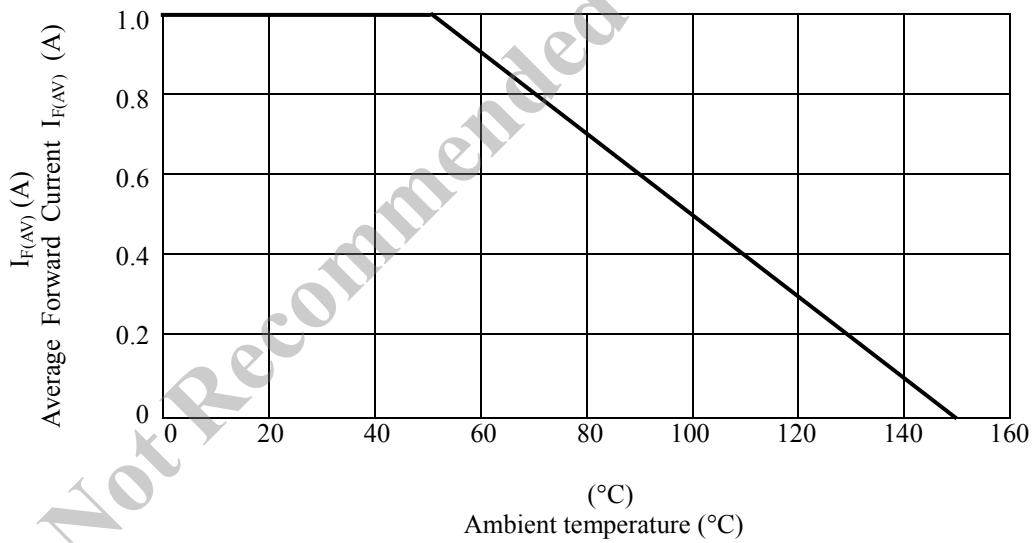
No.	Item	Symbol	Unit	Value	Conditions
1	Forward Voltage Drop	V_F	V	1.50 max.	$I_F=1.0A$
2	Reverse Leakage Current	I_R	μA	10 max.	$V_R=V_{RM}$
3	Reverse Leakage Current Under High Temperature	$H \cdot I_R$	μA	300 max.	$V_R=V_{RM}$, $T_a=100^\circ C$
4	Reverse Recovery Time	t_{rr1}	ns	400 max.	$I_F=I_{RP}=10mA$, 90% Recovery point
		t_{rr2}	ns	180 max.	$I_F=10mA$, $I_{RP}=20mA$, 75% Recovery point
5	Thermal Resistance	$R_{th(j-l)}$	°C /W	15 max.	Between Junction and Lead

5. V_F test and test circuit



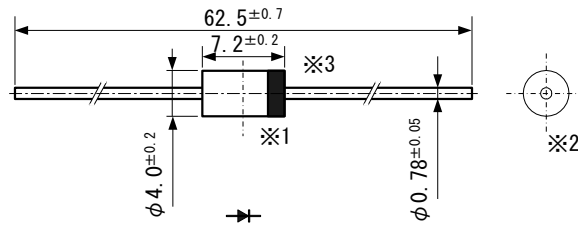
6. Derating

Derating to the ambient temperature.
Power loss generated by voltage is not taken into consideration.



7.Package information

7-1 Package type, physical dimensions and material



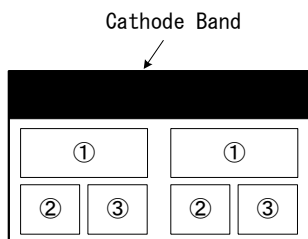
Dimensions in mm

- *1 The allowance position of Body against the center of whole lead wire is 0.5mm(max.)
- *2 The centric allowance of lead wire against center of physical body is 0.3mm(max.)
- *3 The burr may exit up to 2mm from the body of lea

7-2 Appearance

The body shall be clean and shall not bear any stain, rust or flaw.
The color of the case will be black.

7-3 Marking



- ① Type number RU2C as abbreviated of RU2C.
- ② Lot number 1
First digit: Last digit of Year
Second digit: Month
From 1 to 9 for Jan. to Sep.
O for Oct., N for Nov., and D for Dec.
- ③ Lot number 2 (ten days)
Ten days (· : First ten days, · · : Second ten days, · · · : Third ten days)

*The color of marking must be red

The marking on the case of a part, which is printed in two positions, should be legible in either of the two at least.